

# Free-Standing Bathtub INSTALLATION GUIDE

**BEFORE INSTALLING:**  
PLEASE CHECK TO MAKE SURE YOU HAVE  
ALL PARTS REQUIRED FOR INSTALLATION.

Please retain this manual after installation for future  
reference and maintenance.

## IMPORTANT:

- Two people are required to install this bathtub.
- This freestanding tub is not designed to support weight along its rim. Please do not sit or stand on it.

### STEP 1

Set tub in installation location.

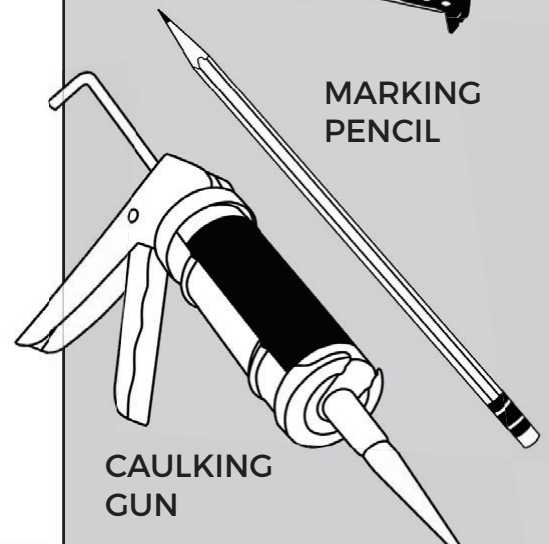
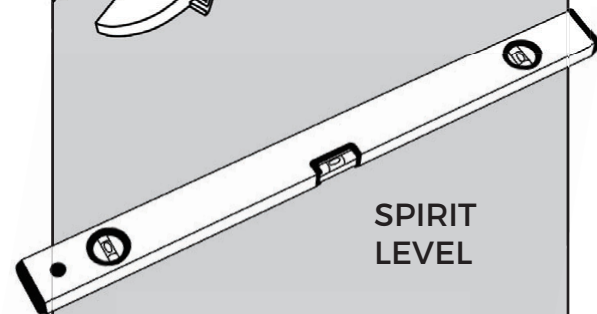
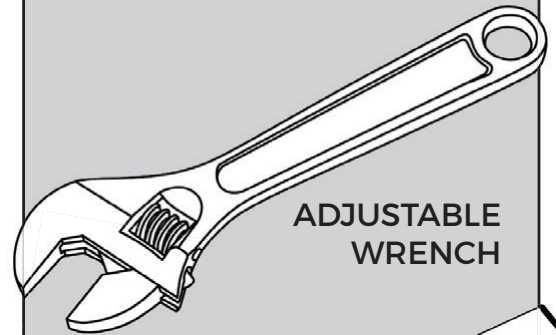
Adjust leveling legs with an adjustable wrench, and level tub using spirit level.  
Check for level across the top of the tub.  
Check for plumb along drain side,  
and then make sure tub is  
resting solidly on all four feet

### STEP 2

Mark the floor with the outline of the tub, or tub feet, with a marking pencil to make it easier to reposition.

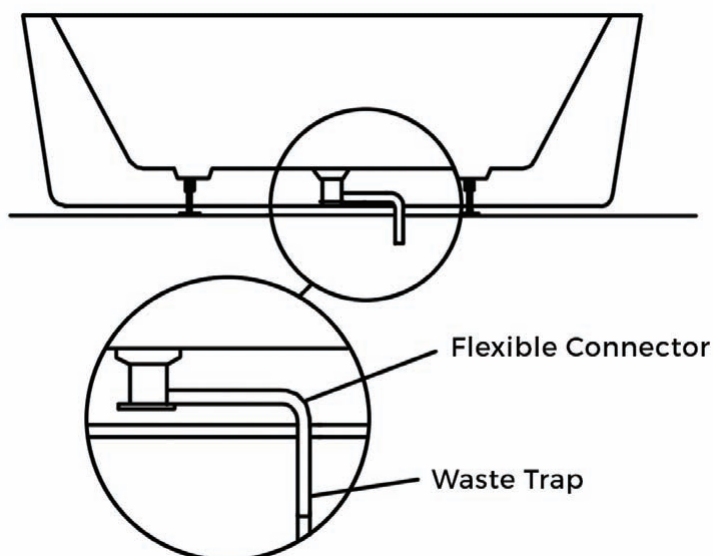


## TOOLS REQUIRED



### STEP 3

Carefully tilt the tub on its side and use a flexible connector to connect the waste outlet to the trap as illustrated.\*



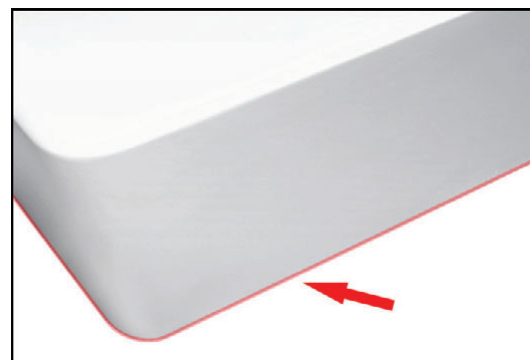
\*Flexible connector and waste trap are not supplied and must be purchased separately.

### STEP 4

Reposition tub using pencil marks as a guide, making sure that the flexible connector is not kinked on installation, as this will result in drainage issues.

### STEP 5

Apply silicone sealant around the tub base or tub feet using caulking gun to prevent water from seeping underneath.



Allow silicone to cure for 24 hours before using tub.

## HOMEOWNER INFORMATION:

### RECEIVING YOUR TUB:

1. After receiving your tub, please unpack your tub, remove all covering, and check for manufacturer defects or shipping damage. Damage claims will be rejected if notification is not made in a timely manner.
2. Protect your tub. If you are not installing your tub immediately, please repack it until time to do so. Scratches and cracks caused by the customer or installer are not covered under warranty.

### WATER TESTING:

1. Water test your tub immediately after installation, before sealing the tub seam with silicone. Ensure water drains correctly and there are no leaks from the tub.
2. Water test overflow pipe and tub waste (drain) to ensure they also do not leak.

### CLEANING AND MAINTENANCE:

1. To preserve the polished surface of your tub, clean regularly with a soft cloth and warm, soapy water.
2. Do not use powders, pastes, creme cleaners, thinners, or window cleaning sprays.
3. Stubborn marks or fine scratches may be polished out with Brasso polish.
4. Before using colored essential oils in your bath, first apply a drop of oil to an inconspicuous area on the tub to check for staining. Always add essential oils to a full bath, never when empty.

### REPAIRS:

Scratches and cigarette burns can be improved with 1200 grit wet/dry sandpaper and then repolished with Brasso polish. Always polish scratches in a circular motion.