

# MISENO

---

## SINGLE HANDLE LAVATORY FAUCET

### Product Codes:

MNO5882CP (Polished Chrome)

MNO5882BNP (Brushed Nickel)

MNO5882FB (Flat Black)

- Max. flow rate: 1.2 gpm at 60 psi
- Brass spout
- Ceramic disc cartridge
- 1 or 3 hole installation
- Optional deck plate included
- WaterSense certified
- Meets: ASME A112.18.1/ CSA B125.1
- cUPC/IAPMO listed
- Limited lifetime warranty
- NSF 61 compliant
- ADA compliant

See dimensional drawing on next page.

©2018 Ferguson Enterprises, Inc. All Rights Reserved VEN 09/19.



# MISENO

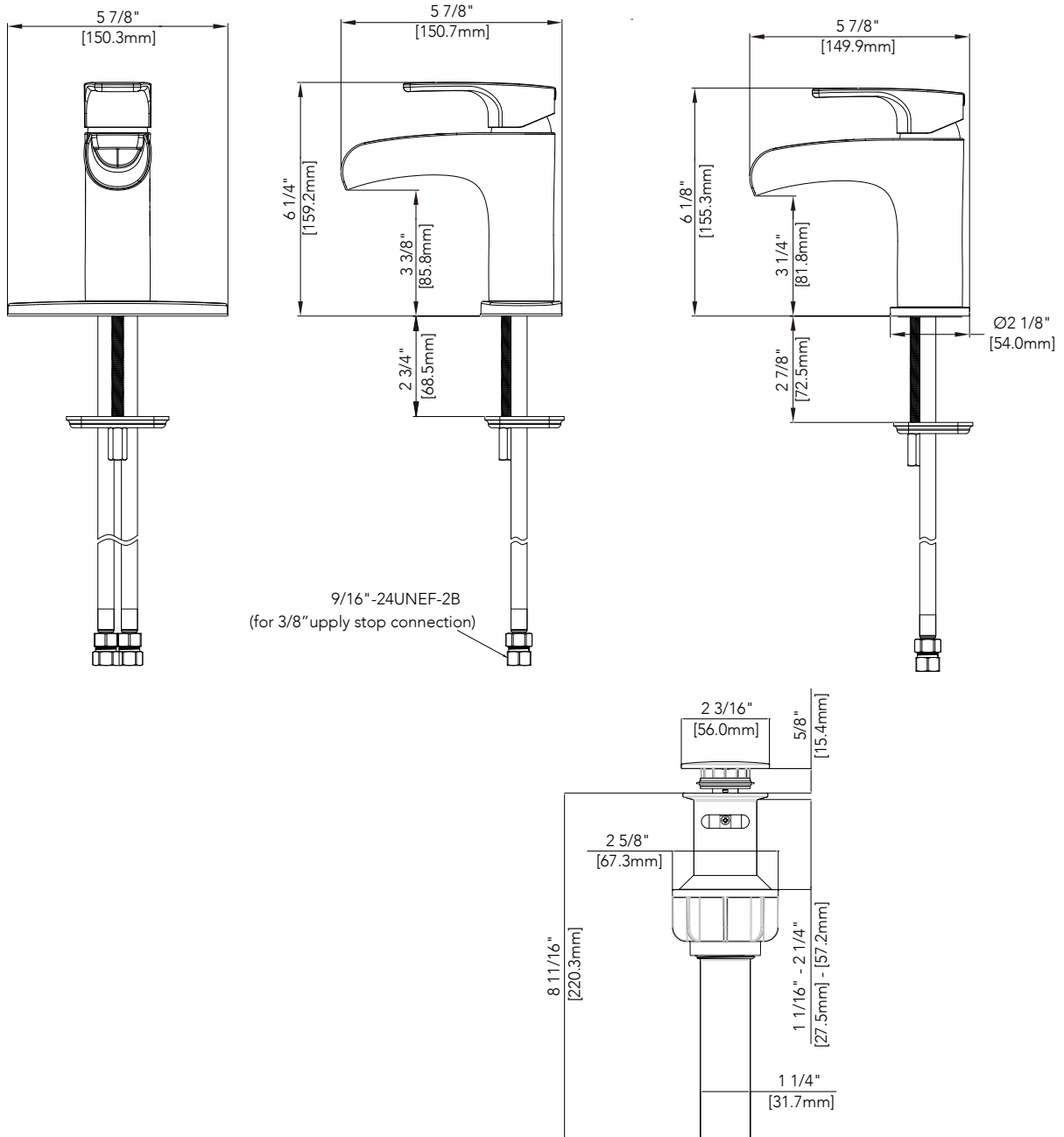
## SINGLE HANDLE LAVATORY FAUCET

### Product Codes:

MNO5882CP (Polished Chrome)

MNO5882BNP (Brushed Nickel)

MNO5882FB (Flat Black)



# MISENO

## SINGLE HANDLE LAVATORY FAUCET

### Product Codes:

MNO5882CP (Polished Chrome)

MNO5882BNP (Brushed Nickel)

MNO5882FB (Flat Black)

