

USER GUIDE

48" Vanity set



(Faucets and other display items not included)

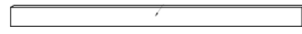
Mirror sold separately: MMIN4632-WH and MMIN4632-ES

Model #: MVIN4822-WH and MVIN4822-ES

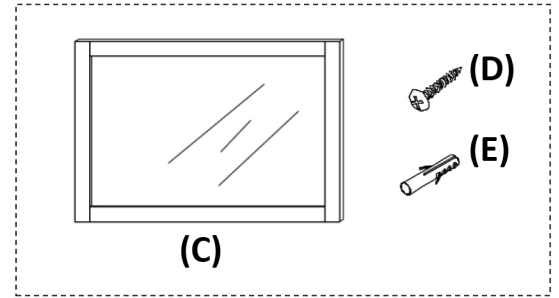
PACKAGING CONTENTS



(A)



(B)



(C)

(Mirror sold separately)

A. Cabinet w/Top (x1)

B. Back Splash Board (x1)

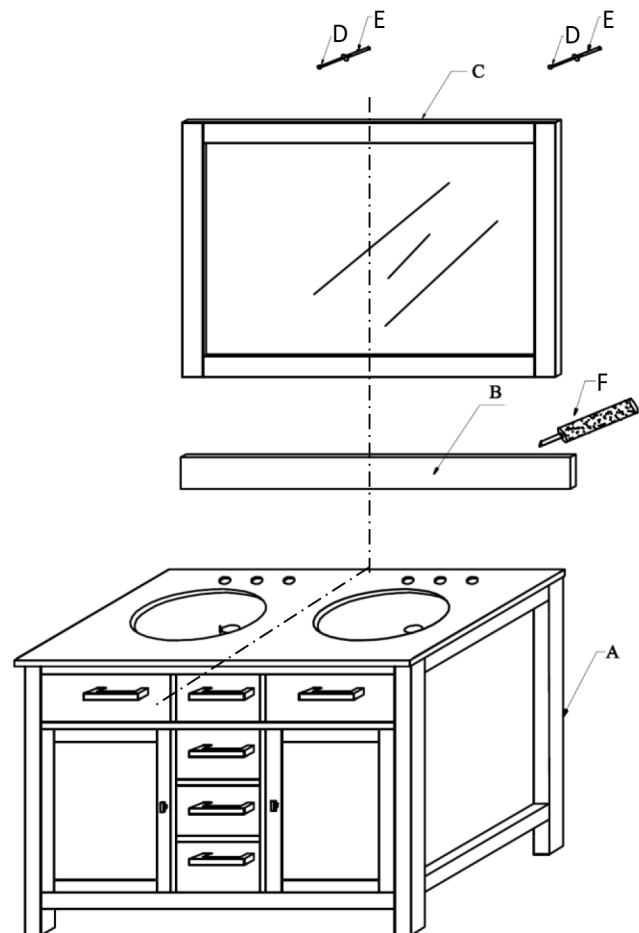
C. Mirror (1500mm x 800mm) (x1)

D. Screw (x2)

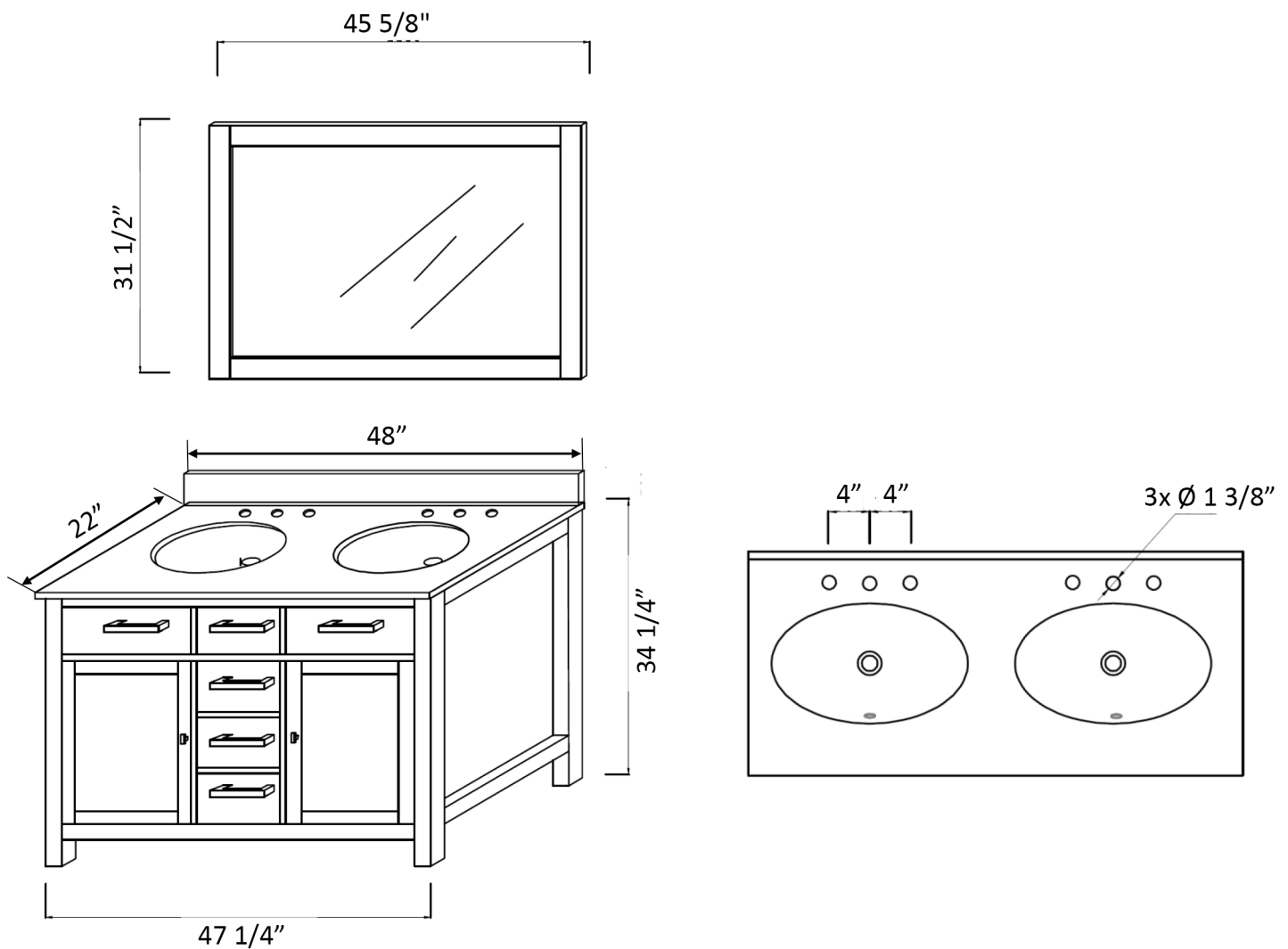
E. Drywall Anchor (x2)

INSTALLATION

1. Place the cabinet (A) at desired location
2. Apply small amount of Kitchen and Bath silicone caulk (F, not included) to the underside and the back of the back splash board (B). Lineup both ends with the countertop. Press down firmly against the wall and the countertop. Clean any excess caulk. Follow the caulk instructions for caulk curing.
3. Lineup the mirror (C) with the cabinet and hang the mirror to desired height.
4. To avoid damages, pulls and knobs are mounted inside the cabinets. Unmount the pulls and knobs by loosening the mounting screws with a Philip screw driver and remount them to the front of the drawers or cabinet doors.



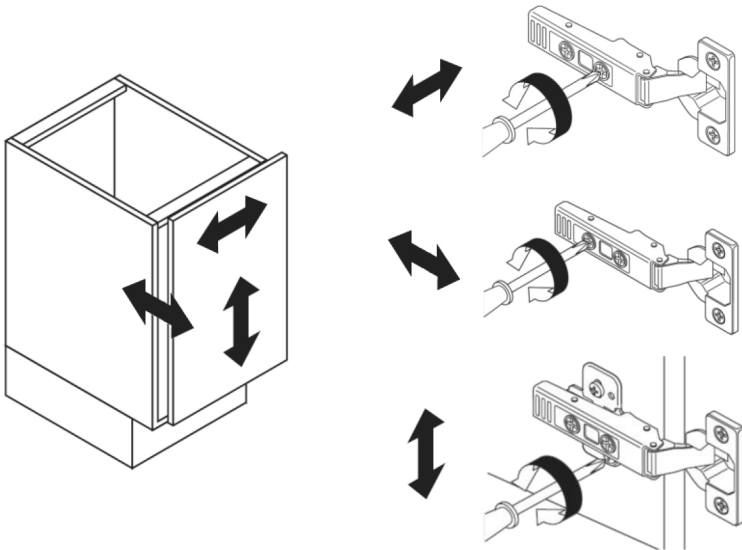
INSTALLATION DIMENSIONS



NOTE:

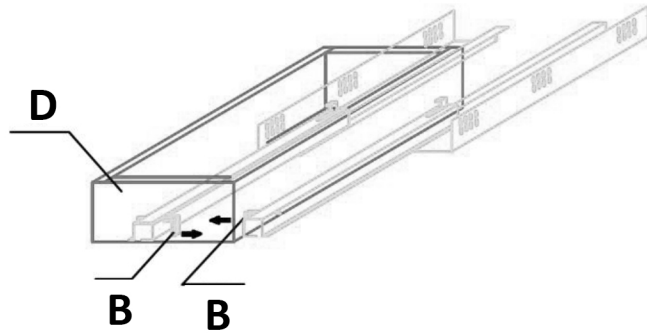
- **Miseno** vanities are hand-crafted and may vary with minor manufacturing tolerance.
- Natural stone may vary with natural veining, crystallization and lining.

- **Cabinet door 6-Way adjustments**



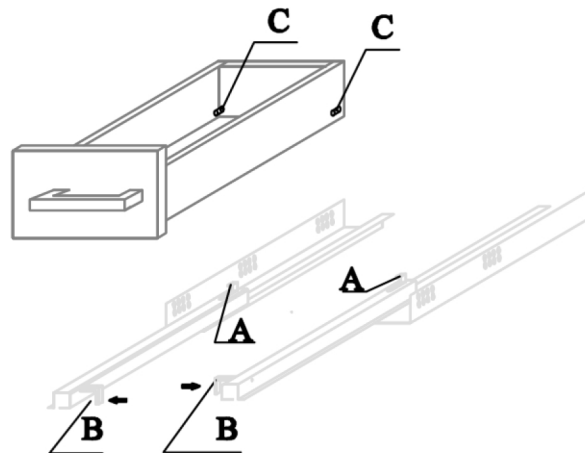
- **Drawer removal**

1. Pull the drawer all the way out
2. Release the locking pins (B) located at the bottom of the drawer (D).
3. Lift the drawer up and pull it out.



- **Drawer installation**

1. Hold the slides at the most outward position.
2. Set the drawer on the slides and push it against the hooks (A) in the back of the slides, so the hooks will go into the holes (C) in the drawer back.
3. Push the pins (B) into the side panels and lock the drawer in place.



CARE AND MAINTENANCE

Marble Countertop

Clean the countertop with a soft cotton cloth dampened with warm water and then use another cloth to dry the surface. If more thorough cleaning is required, you may use hand dishwashing liquid, hydrogen peroxide, or clear ammonia mixed with water. Rinse thoroughly so there's no residue left, always dry completely.

IMPORTANT: ALWAYS DRY COMPLETELY AFTER USE OR CLEANING. AVOID USING VINEGAR AND OTHER ACIDIC CLEANERS!

Wood Cabinet

A soft cotton cloth dampened with warm water is usually sufficient for cleaning your cabinets. If more thorough cleaning is required, please use a fresh solution of mild hand dishwashing liquid mixed with warm water. After cleaning, wipe all surfaces with a clean, damp cloth. Dry immediately using another soft, clean cloth.

Avoid using harsh or abrasive cleaning products, such as, tub and sink cleansers, scouring pads, scouring powder, steel wool or self polishing waxes. Avoid using solvent-based or petroleum-based products, such as, mineral spirits nail-polish removers or paint thinners. Avoid using cleaning products contains ammonia or bleach. Avoid silicone-based cleaning, waxing, or polishing products.

Avoid draping damp clothes or towels over cabinet doors or sides as moisture can cause permanent damages, such as, peeling and discoloration to the cabinet's finish. If cabinet surfaces get wet, dry them immediately using a soft, clean cloth.