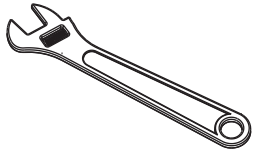


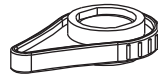
### Tools you will need:



Adjustable wrench

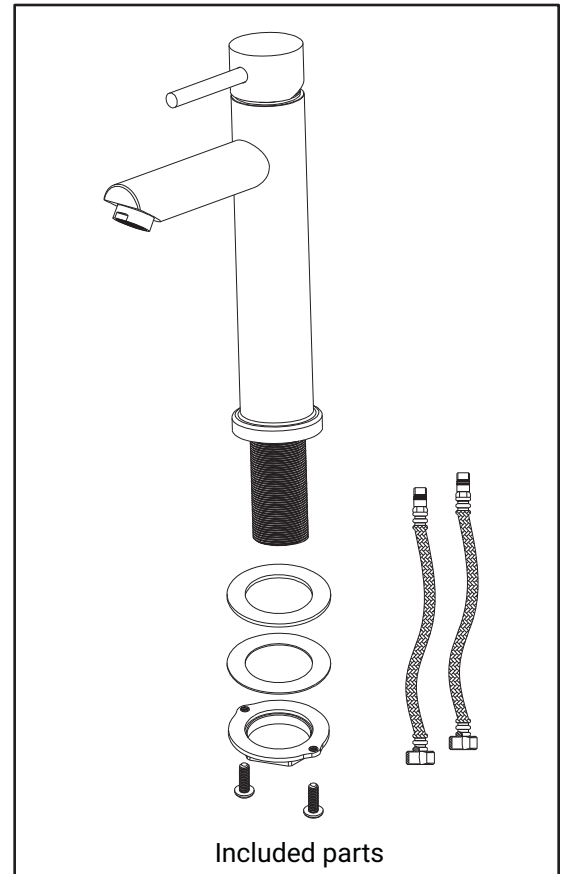
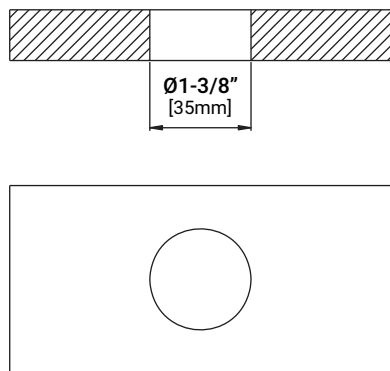


Phillips screwdriver



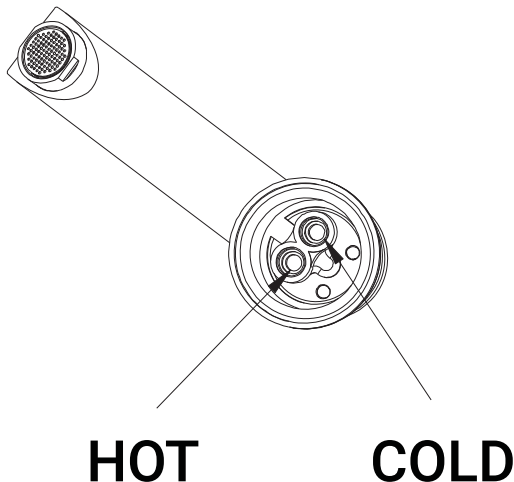
Aerator spanner  
(supplied)

### Deck hole size:



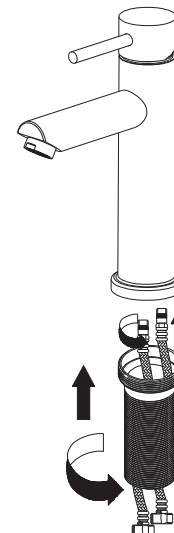
### Step 1.

Unpackage the faucet and turn it over. Inside the faucet body you will see the hot and cold ports where the supply lines connect. Identify the two ports and check for debris or any manufacturing defects before proceeding to Step 2.



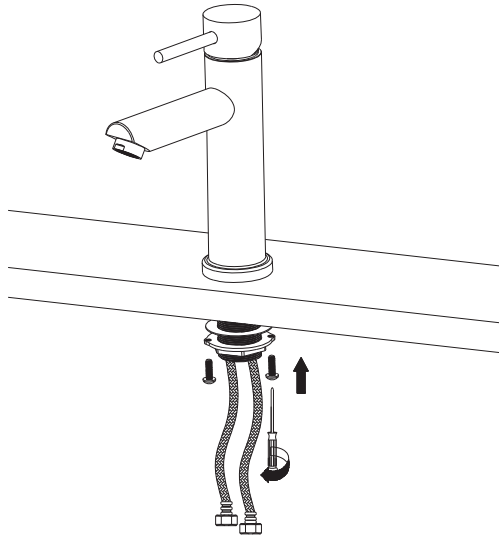
### Step 2.

Attach the supply lines to their respective ports by twisting them until tightened, then thread the tailpiece into the faucet base until snug. **Use caution, as the tailpiece threads can be sharp.** Use a hand towel or wash rag to grip the threads on the tailpiece if necessary.



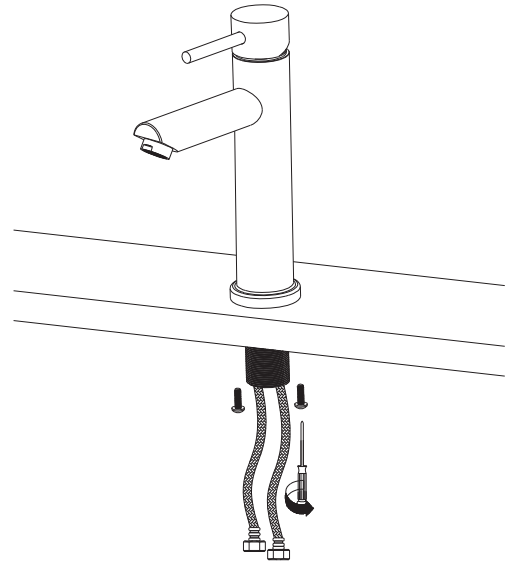
### Step 3.

Insert the tailpiece of the faucet through the hole in your counter and slide the rubber washer, metal washer, and threaded locknut over the supply lines. Back off tension screws fully and tighten locknut until snug.



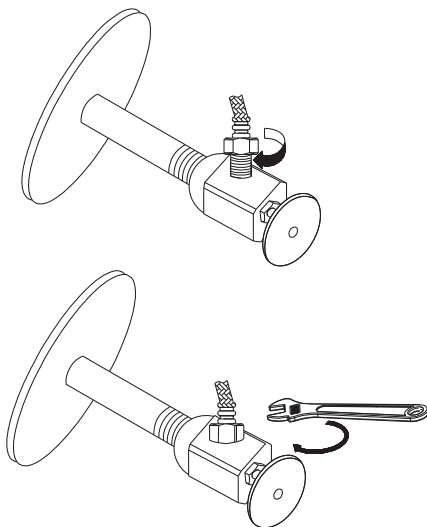
### Step 4.

Position the faucet until it is aligned correctly to the sink and tighten tension screws to hold it in place.



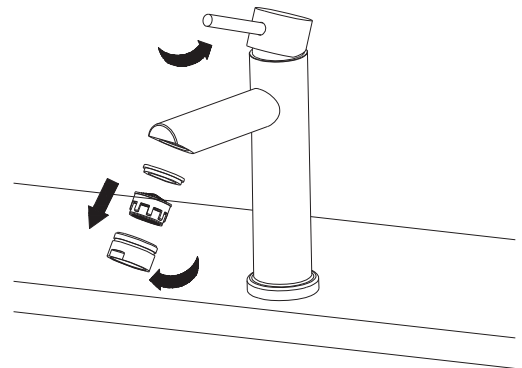
### Step 5.

Attach the supply lines to their respective hot and cold valves, and then tighten with an adjustable wrench until snug. Do not overtighten.



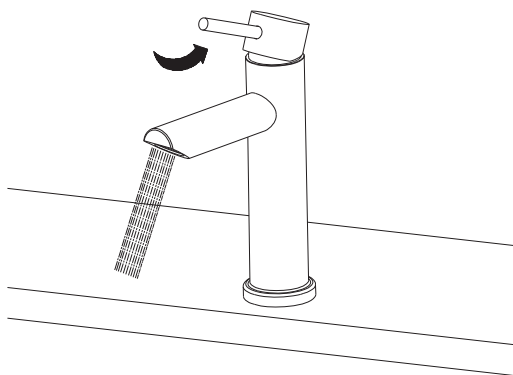
### Step 6.

Remove the aerator from the faucet using the special tool included in the package.



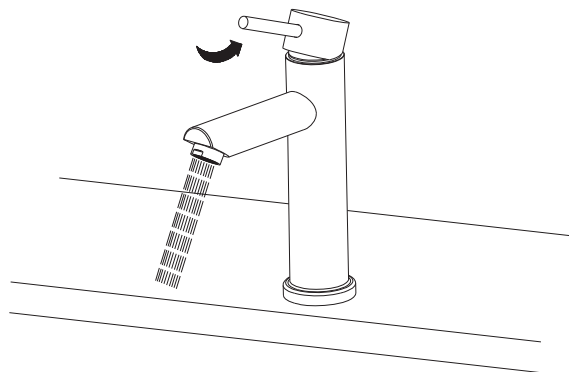
#### Step 7.

Turn on supply valves, and then open faucet valve with the faucet handle to flush any debris from inside the faucet or supply lines. Allow water to run for 10-15 seconds while moving handle to hot and cold positions.



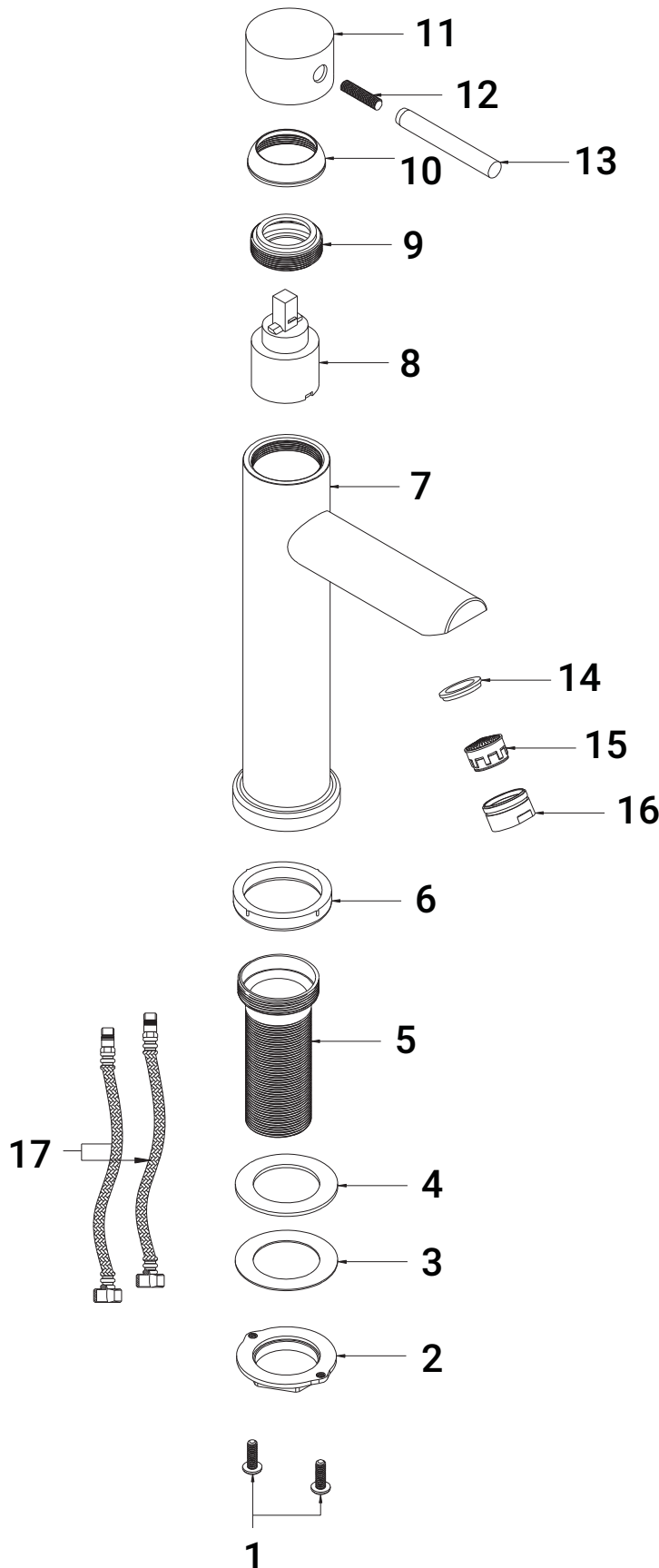
#### Step 8.

Replace the aerator and check the faucet for proper operation. If you have any issues, please call Miseno at 855.480.2915 or email us at [infoservice@miseno.com](mailto:infoservice@miseno.com)



**CONGRATULATIONS! YOUR NEW MISENO FAUCET IS INSTALLED!**

### Parts Breakdown



Number	Name
1.	M5 Round Head Screws
2.	Locknut
3.	Stainless Steel Gasket
4.	Rubber Gasket
5.	Threaded Tailpiece
6.	Bottom Gasket
7.	Faucet Body
8.	Cartridge
9.	Locking Nut
10.	Cartridge Cover
11.	Handle Knob
12.	M6 Screw
13.	Handle Bar
14.	Gasket
15.	Aerator
16.	Aerator Holder
17.	Hose