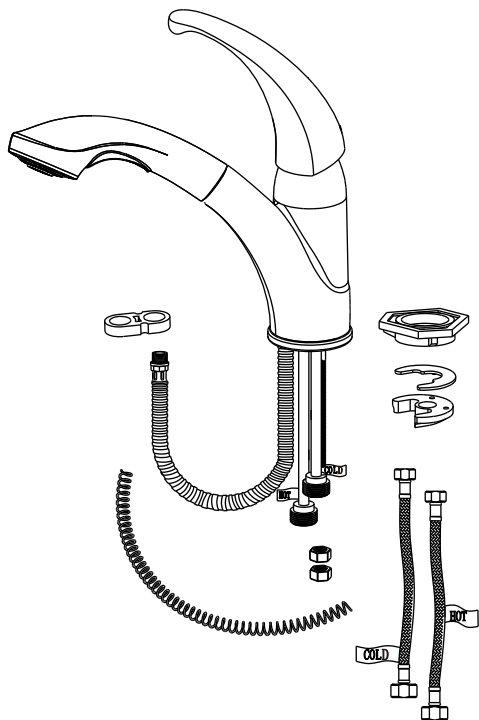


# Installation Instruction

## Single Lever Kitchen Faucet With Pull-out Sprayer

### Before Your Installation

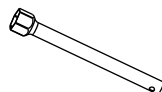
Check to make sure you have the following parts indicated below:



### Tools You Will Need



Small spanner  
(Supplied)



Tools for loosening  
the hexagon nut  
(supplied)



Adjustable wrench



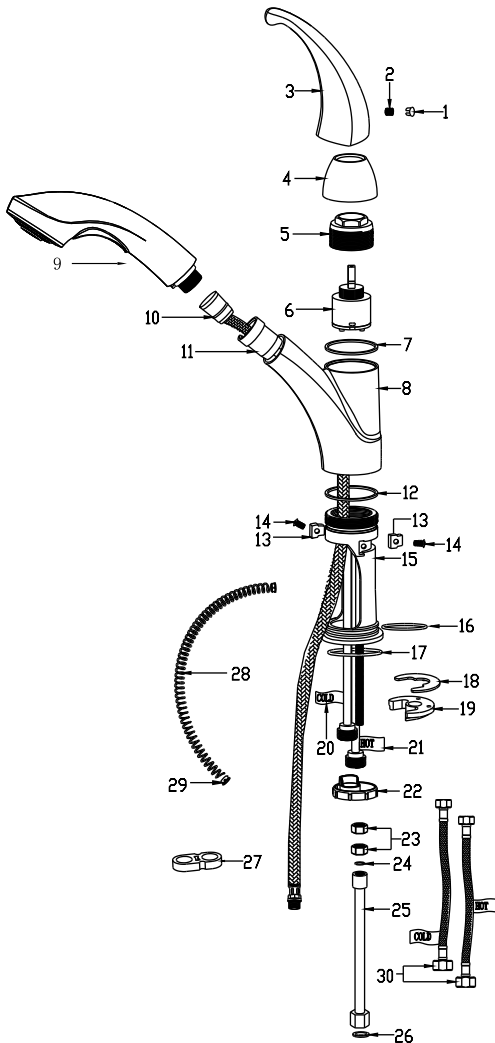
Phillips screwdriver



Aerator spanner  
(supplied)

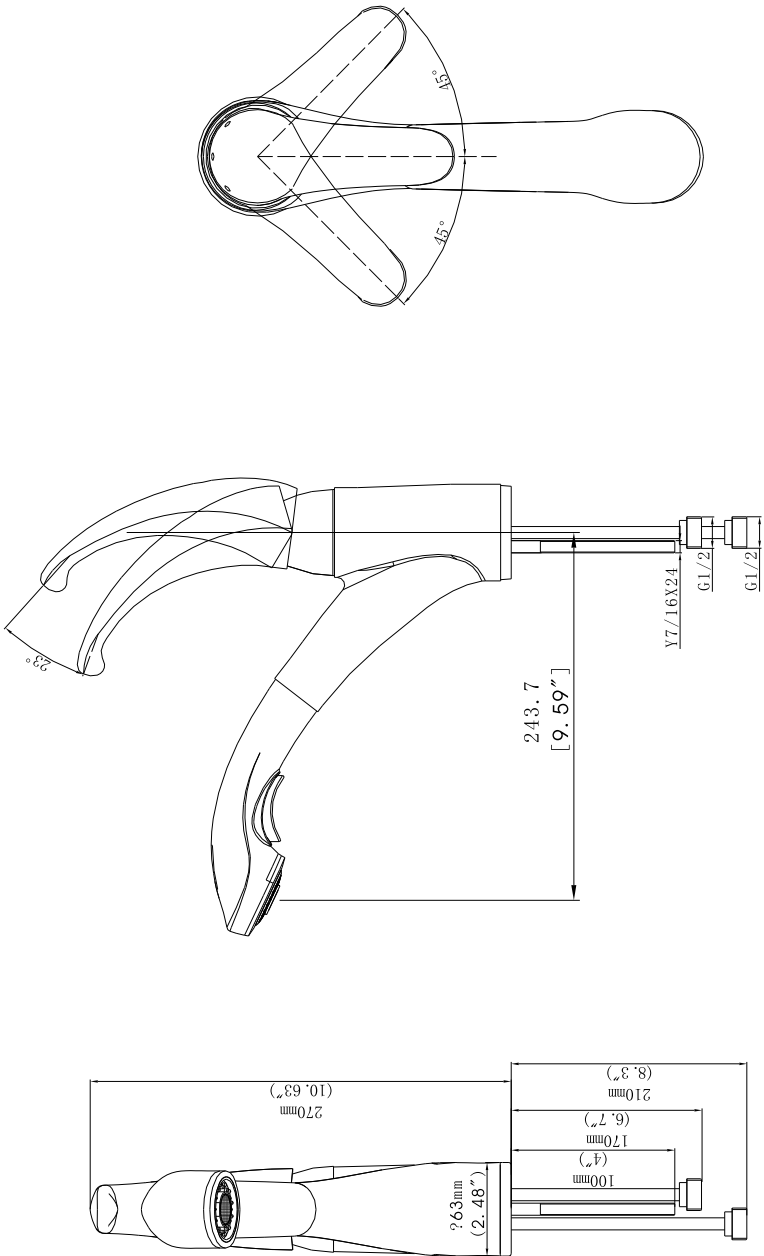
# Replacement Parts

Keep this manual for ordering replacement parts.



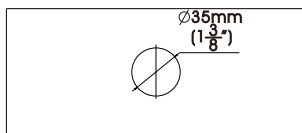
NO	NAME
1.	Cover cap
2.	Screw
3.	Handle
4.	Cartridge holder
5.	Lock nut
6.	Cartridge
7.	Gasket against friction
8.	Facuet body
9.	Pull-out spout
10.	Black nylon hose
11.	Spout holder
12.	Gasket against friction
13.	Noice muffler
14.	Screw
15.	Cartridge holder
16.	O-ring
17.	O-ring
18.	Rubber gasket
19.	Stainless steel gasket
20.	Blue label
21.	Red label
22.	Flexible holder
23.	Hexagon nut
24.	O-ring
25.	Extension for flexible hose
26.	Flat gasket
27.	Spring holder
28.	Spring
29.	Anti-friction cover
30.	Hose

# Product Dimension Drawing

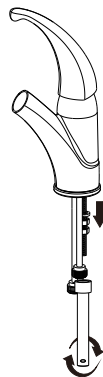


# Faucet Installation Procedures

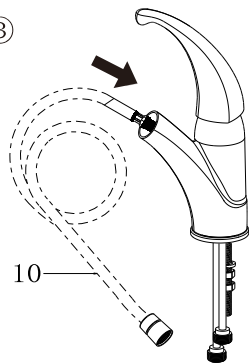
## Step ①



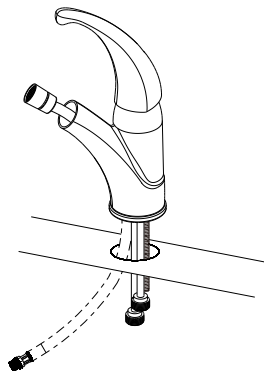
## Step ②



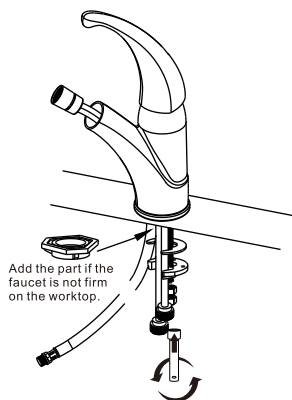
## Step ③



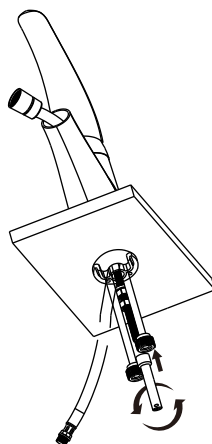
## Step ④



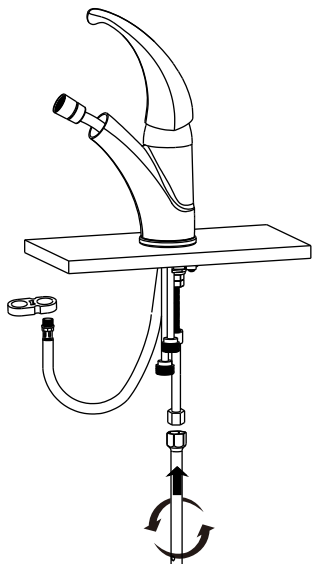
## Step ⑤



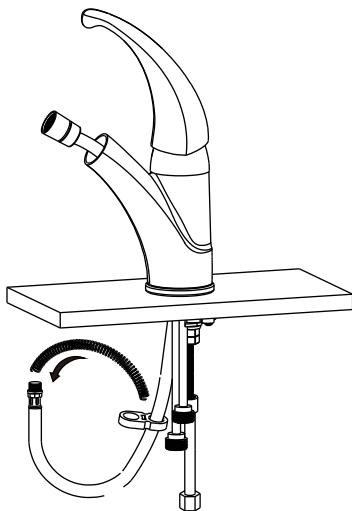
## Step ⑥



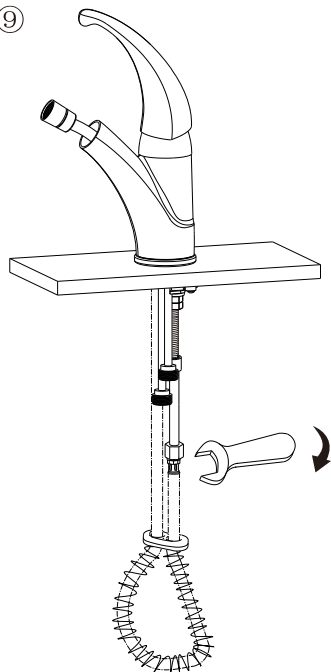
Step ⑦



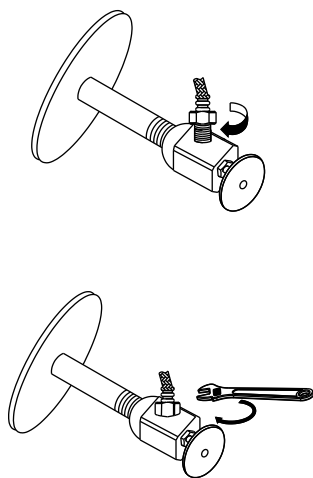
Step ⑧



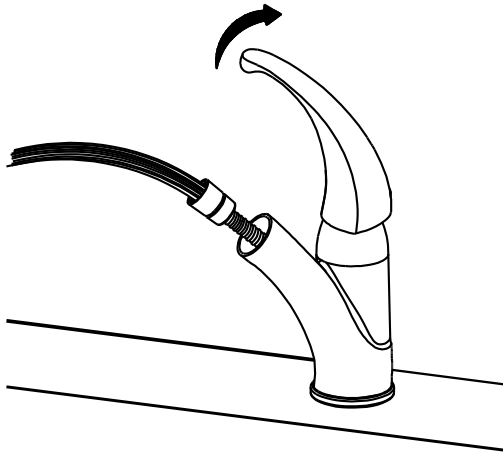
Step ⑨



Step ⑩



Step ⑪



Notice:

Please removing all of the sand, silt and other things from the water hose before assembling, to avoid blocking the faucet and effecting water rate. Please use the special tools to disassemble it and wash with pneumatic equipment, if the faucet blocked.

Step ⑫

