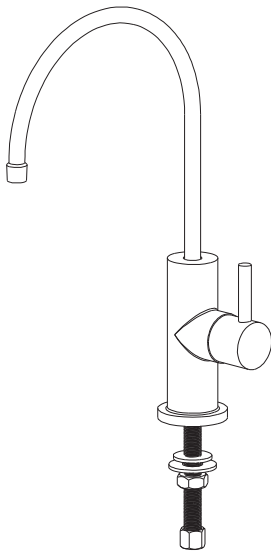


# Installation Instruction

## Filtration Faucet

### Before Your Installation

Check to make sure you have the following parts indicated below:



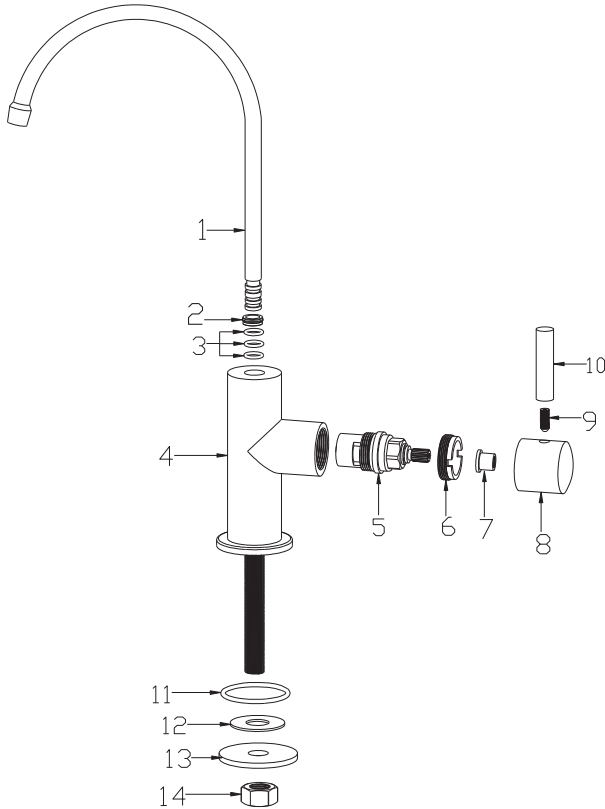
### Tools You Will Need



Adjustable wrench

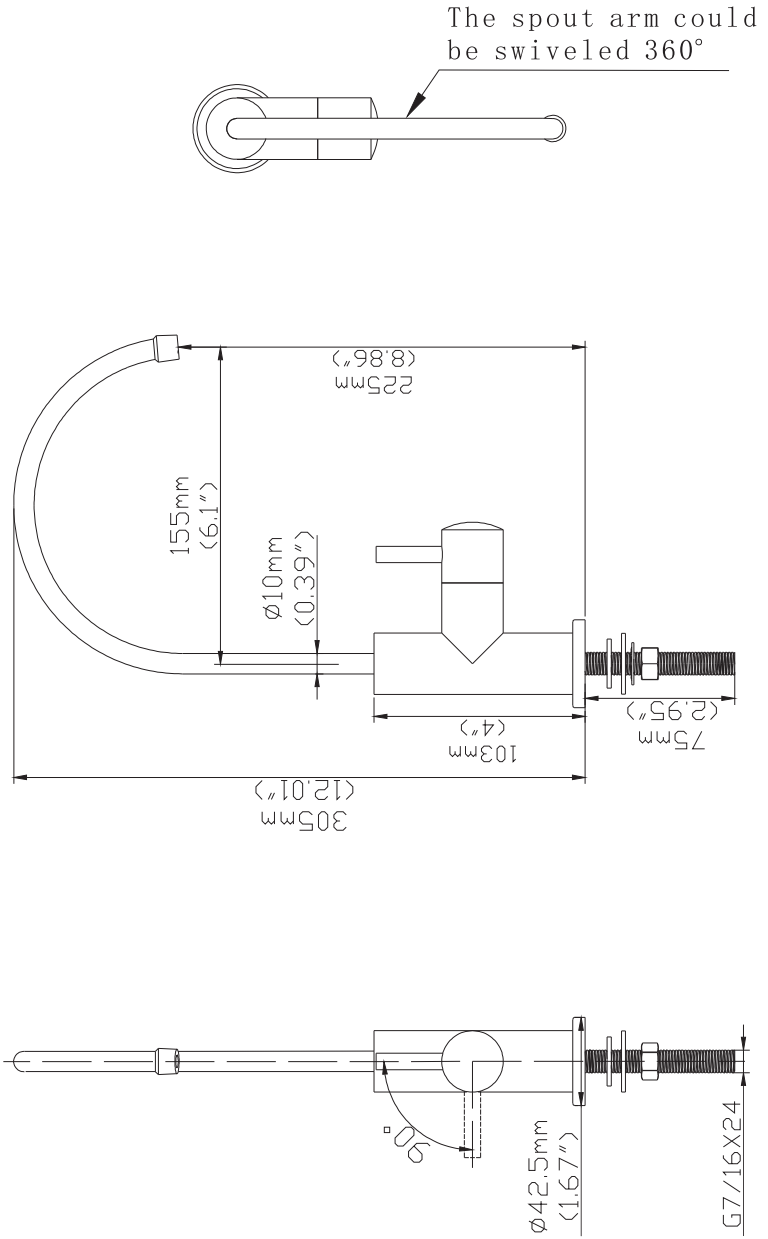
# Replacement Parts

Keep this manual for ordering replacement parts.



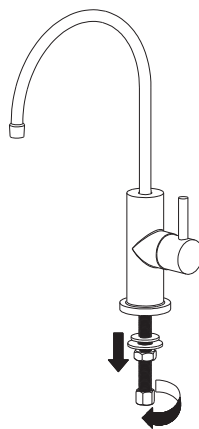
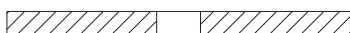
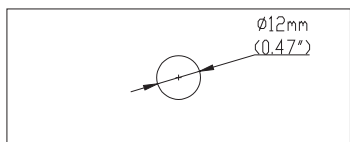
- | NO  | NAME            |
|-----|-----------------|
| 1.  | Spout           |
| 2.  | Lock ring       |
| 3.  | O-ring          |
| 4.  | Body            |
| 5.  | Cartridge       |
| 6.  | Cartridge cover |
| 7.  | Locking sleeve  |
| 8.  | Handle          |
| 9.  | Pin             |
| 10. | O-ring          |
| 11. | Plastic washer  |
| 12. | Hexagon nut     |
| 13. | S/S washer      |
| 14. | Screw           |

# Product Dimension Drawing

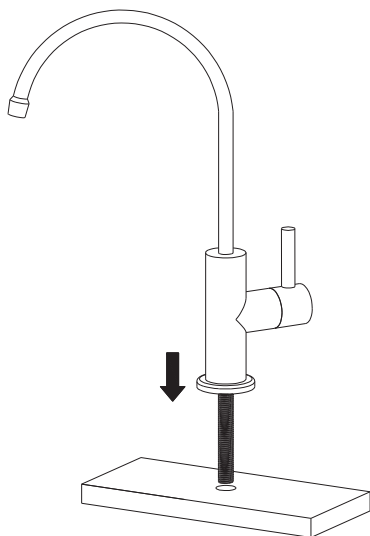


# Faucet Installation Procedures

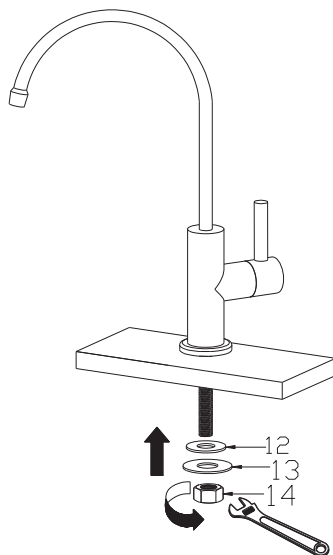
step ①



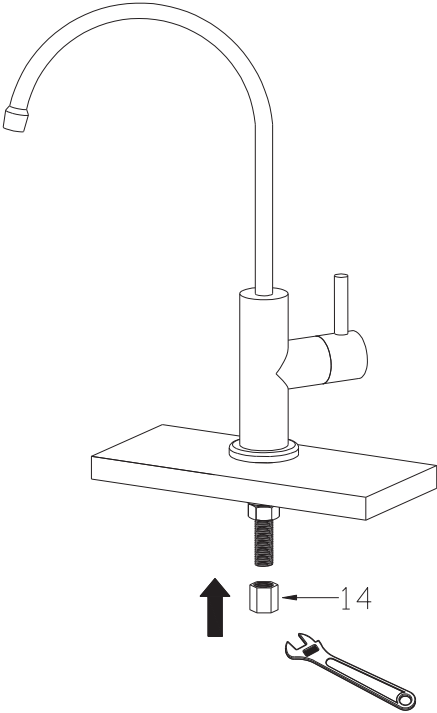
step ②



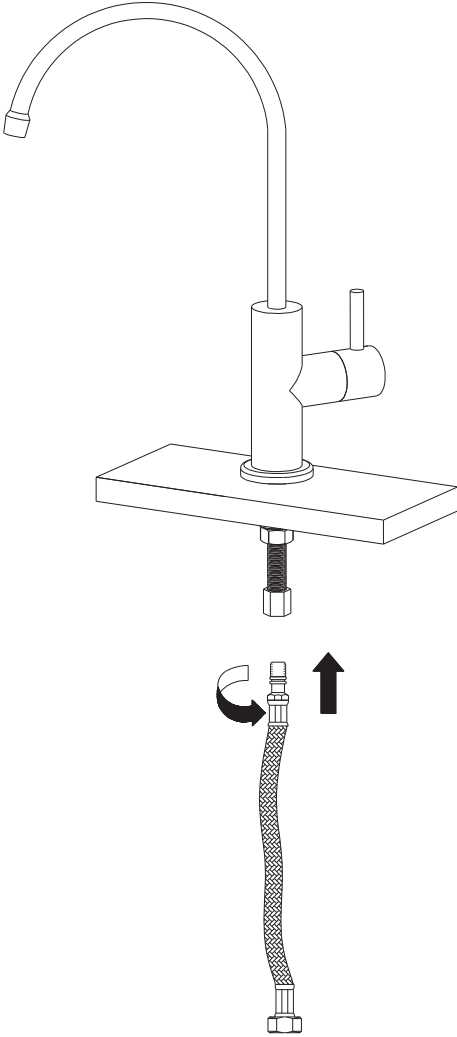
step ③



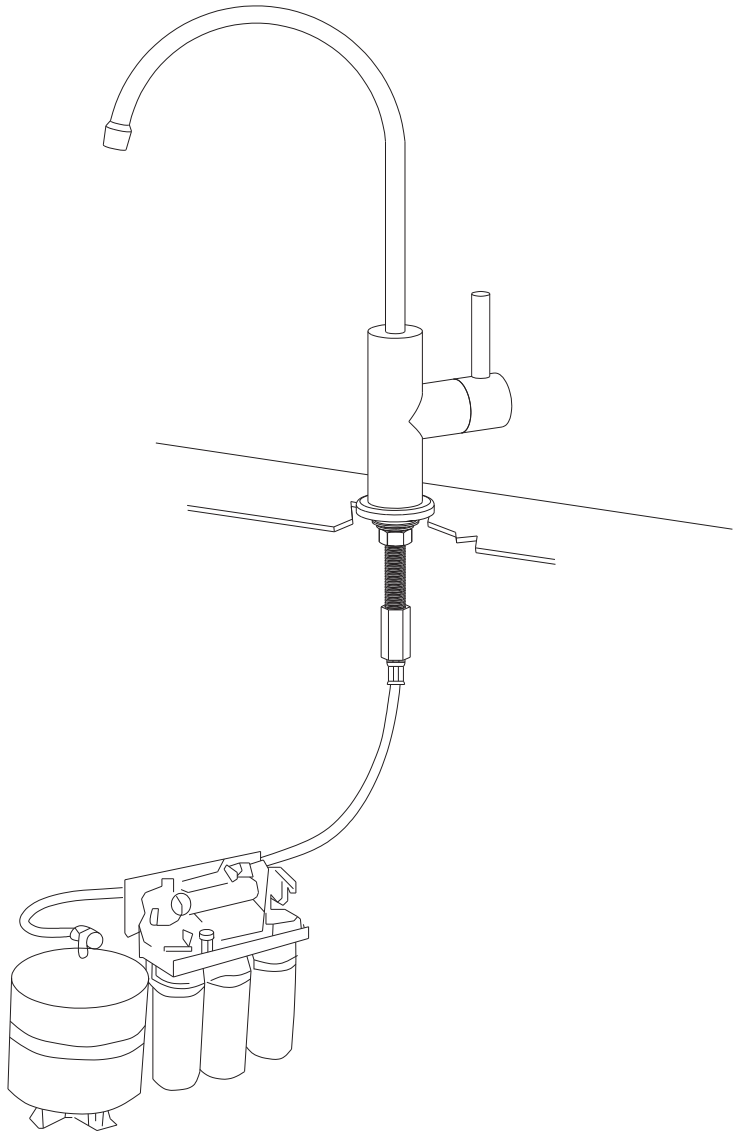
step ④



step ⑤



step ⑥



step ⑦

