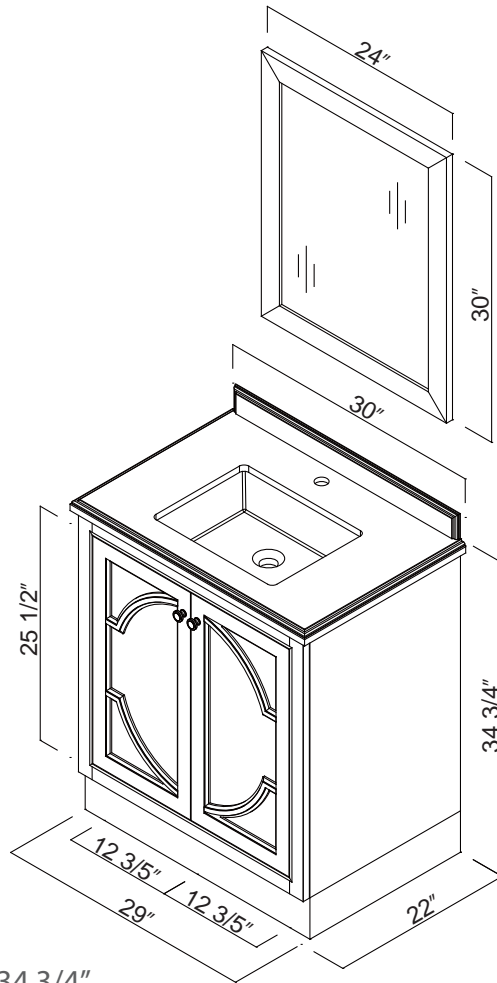


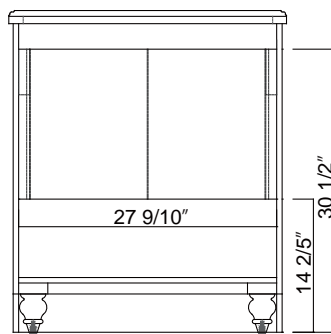
# TECHNICAL SPECIFICATION SHEET

FRONT

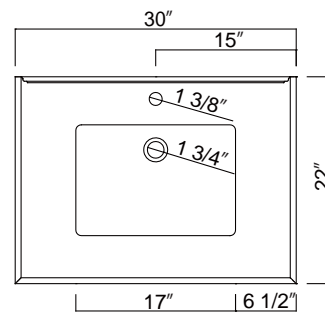


**DIMENSIONS:** W 30" | D 22" | H 34 3/4"

BACK



TOP



## WARRANTY

Miseno warrants cabinets, mirrors, finishes and fittings to be free from defects in workmanship and materials under normal use and service for a period of one (1) year.

Please report any damage or missing pieces of your vanity to us immediately. All damages must be reported within 30 days from date of delivery.

## CONTACT SUPPORT

PHONE: (855) 480-2915

EMAIL: [infoservice@miseno.com](mailto:infoservice@miseno.com)

ADDRESS: 402 Otterson Drive, Suite 100, Chico CA 95928