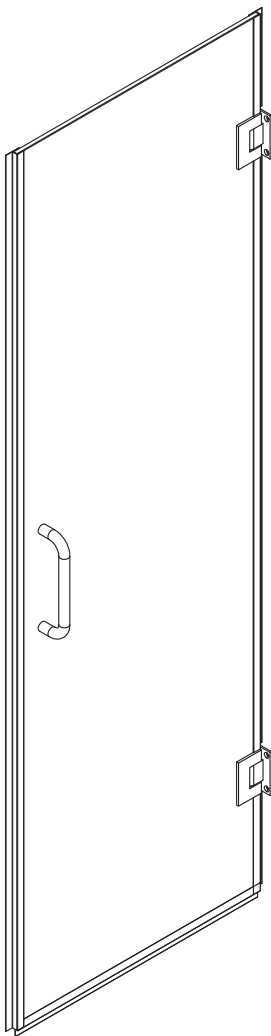


MISENO

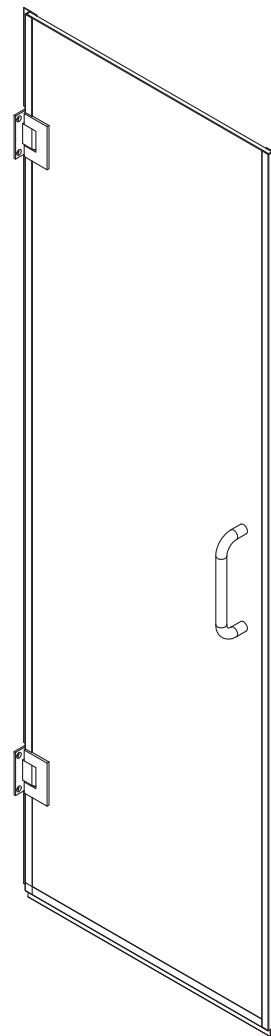
COPY THE MODEL NUMBER FOR YOUR RECORDS HERE #

Customer Service **1-855-480-2915**
or e-mail infoservice@miseno.com

READ THE INSTRUCTIONS CAREFULLY, familiarize yourself with all the parts as shown in the exploded view. The exploded view will also provide a helpful reference when relating to the location of the various parts and how they are mounted.

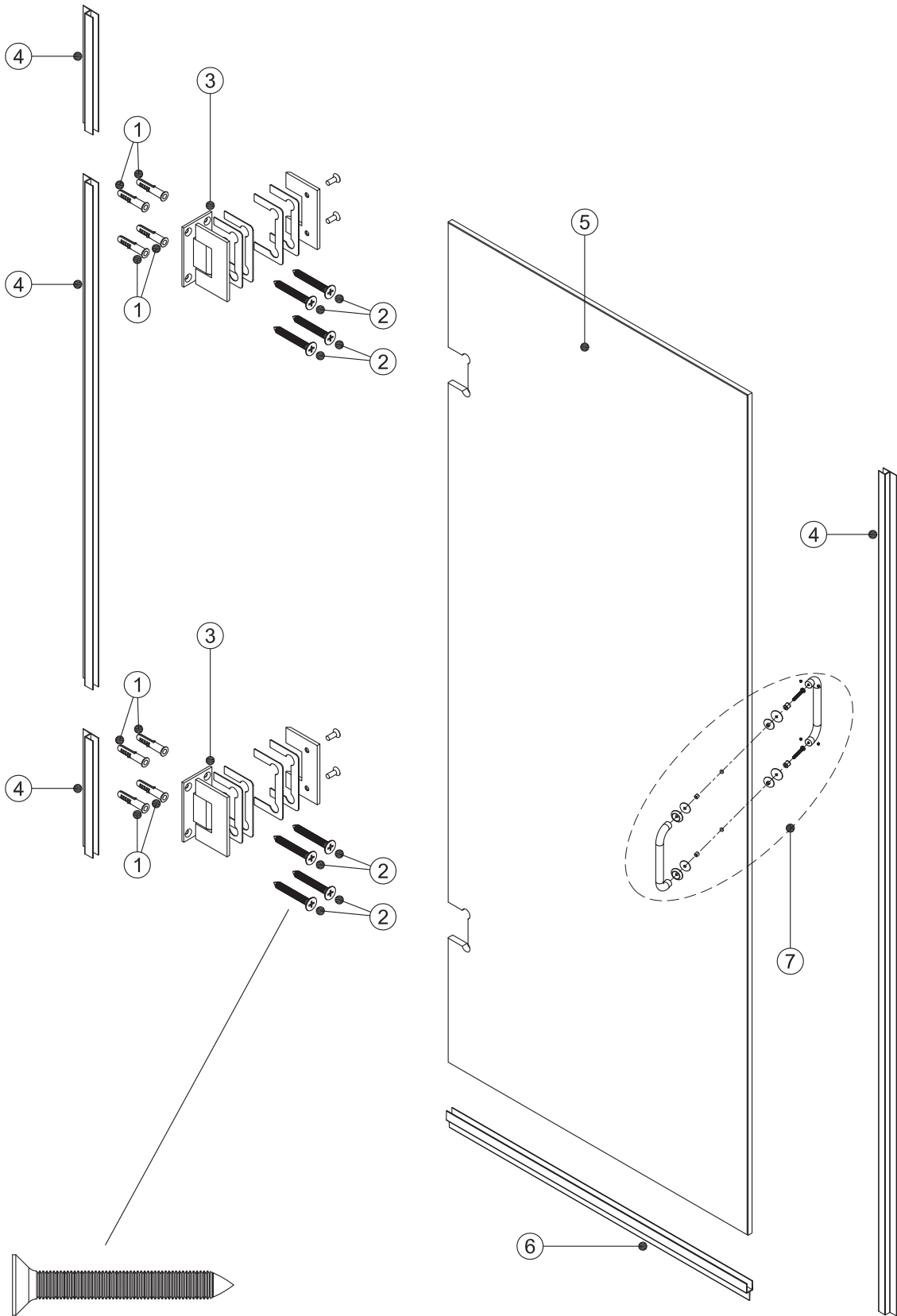


Left Hand Install



Right Hand Install

Retractable Shower Screen



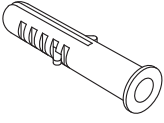
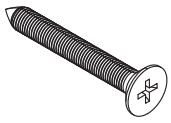
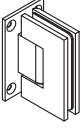
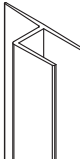

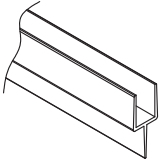
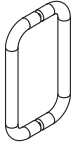

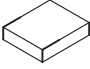
② 1 1/2" SCREW

Retractable Shower Screen



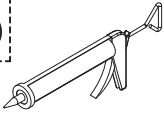
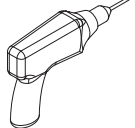
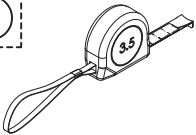
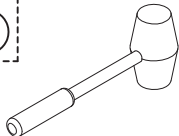

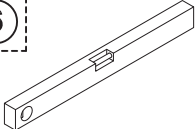
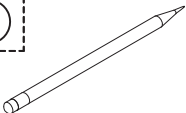
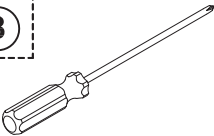
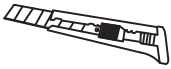

Please read the entire instruction manual before installing shower screen

PART LIST

					
WALL PLUG (8 PCS)	1 1/2" SCREW (8PCS)	WALL HINGE (2 PCS)	WALL VINYL (2 PCS)	DOOR (1PCS)	VINYL SWEEP (1 pcs)
					
Handle (1 Assembly)	#4 WRENCH(2 pcs)	19/32" CUSHION (2 PCS)			

WARNING: Safety glasses should always be worn when working with tempered glass.

RECOMMENDED TOOLS

				
SILICONE	DRILL	TAPE MEASURE	RUBBER MALLET	DRILL BITS 5/16"
				
LEVEL	PENCIL	SCREW DRIVERS	UTILITY KNIFE	SAFETY GLASSES

Retractable Shower Screen

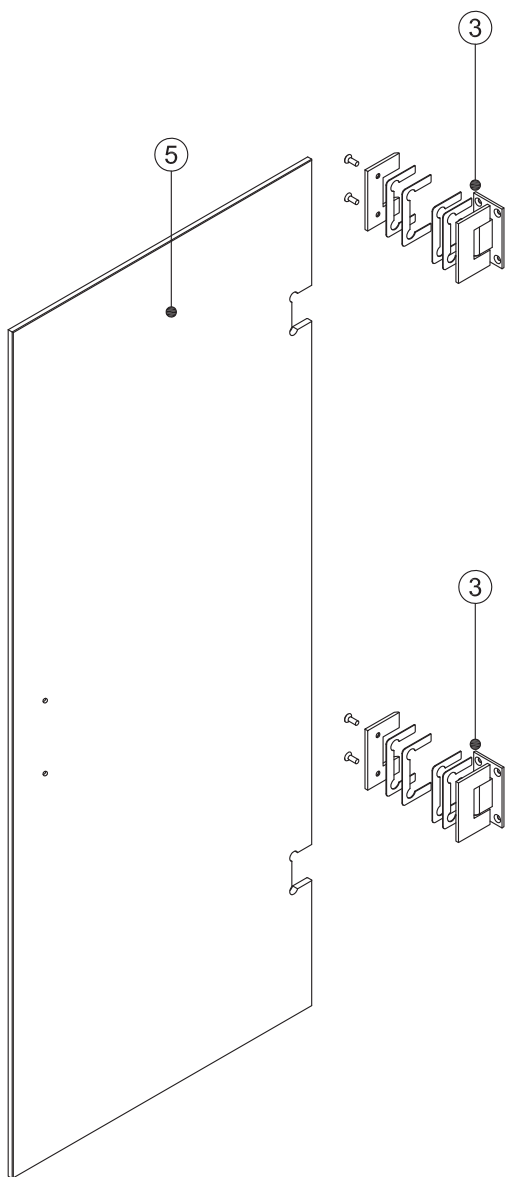
MISENO

STEP 1

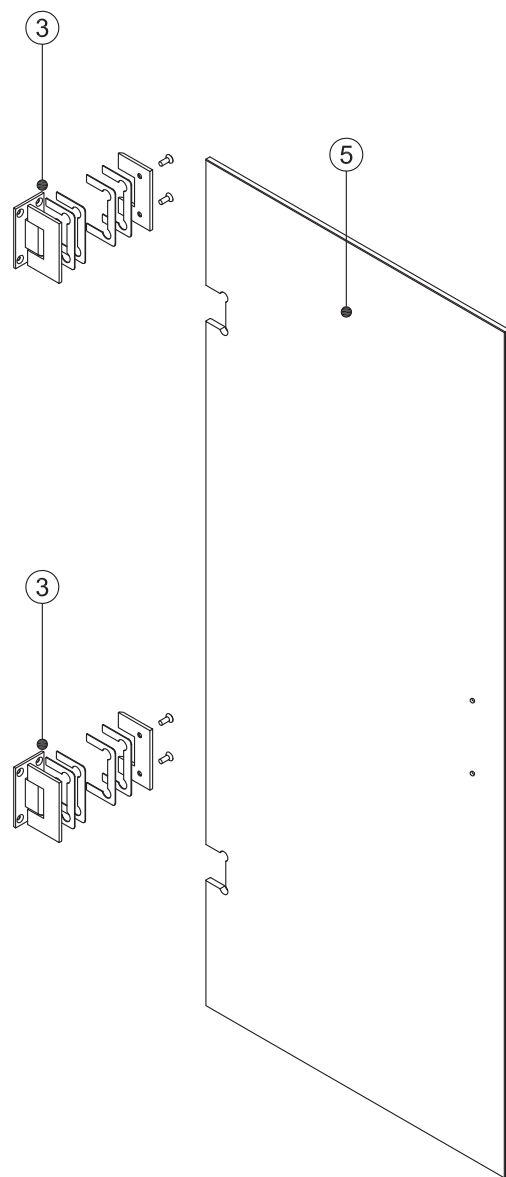
Install the hinges ③ as the picture indicates.

Note: Use all of the gaskets provided to install hinges.

Left Hand Assembly



Right Hand Assembly



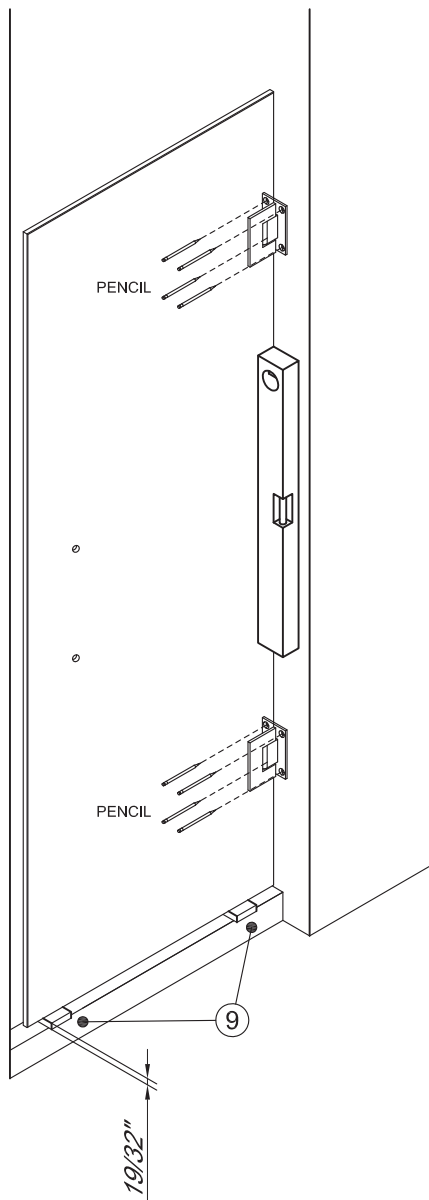
Retractable Shower Screen



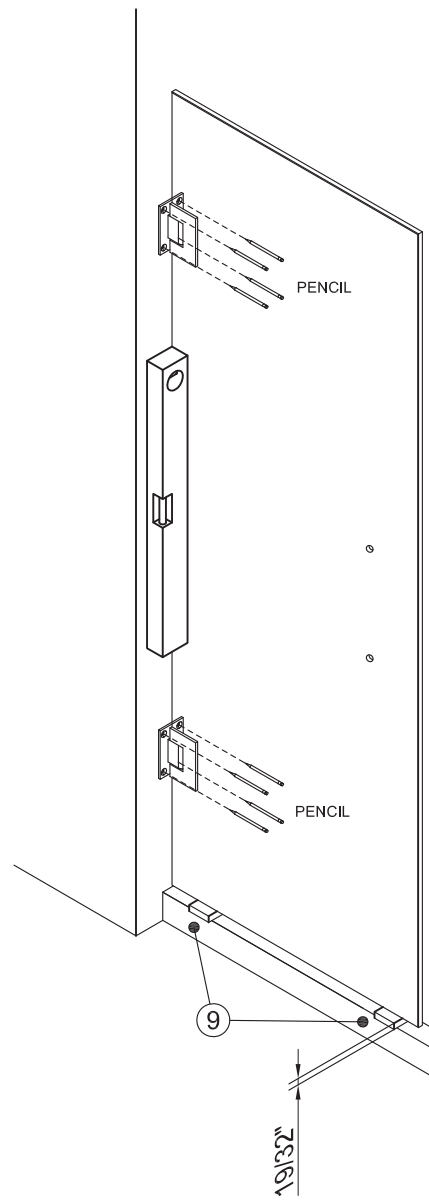
STEP 2

Set the door panel in correct installation position on top of the 19/32" cushions (9). Be sure to keep the door level while marking the hole locations for drilling.

Left Hand Assembly



Right Hand Assembly



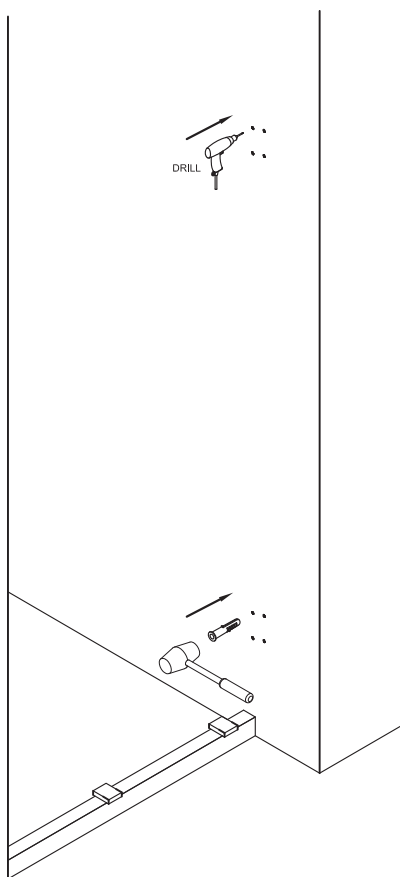
Retractable Shower Screen



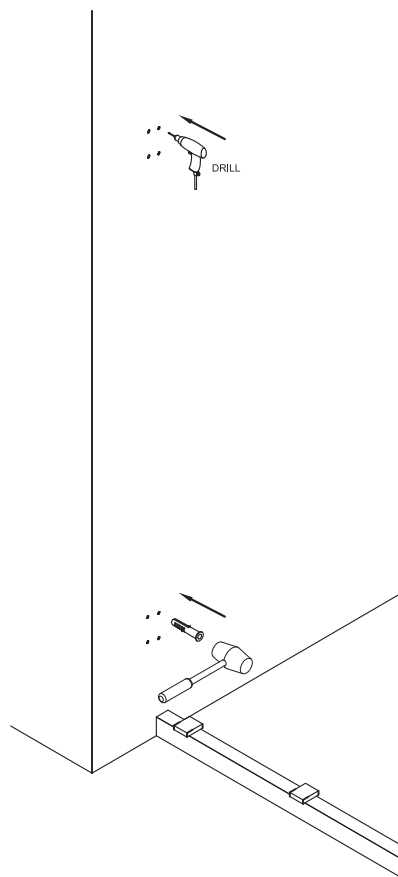
STEP 3

Drill holes and insert wall plugs ① .

Left Hand Assembly



Right Hand Assembly



Retractable Shower Screen

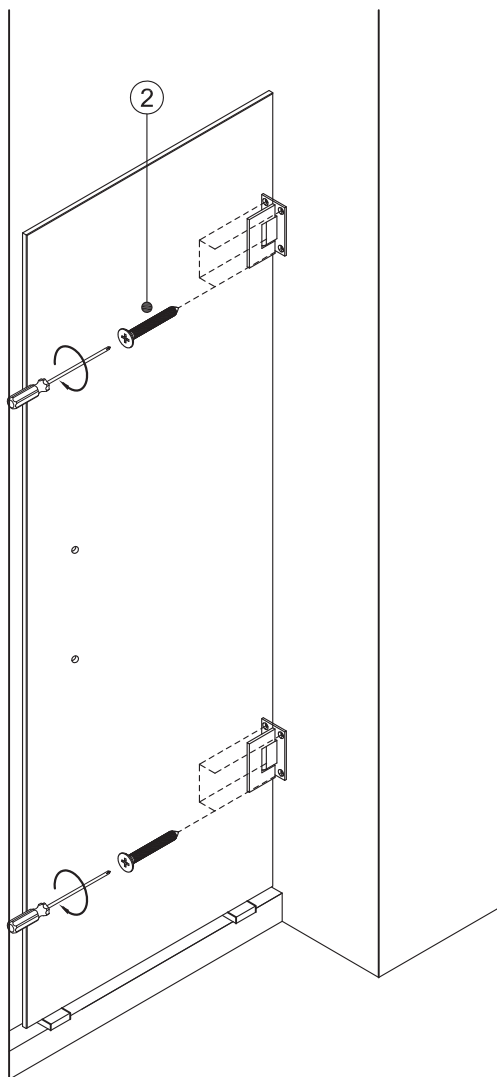
MISENO

STEP 4

Use 1 1/2" screws (2) to attach the Door Panel to the wall.

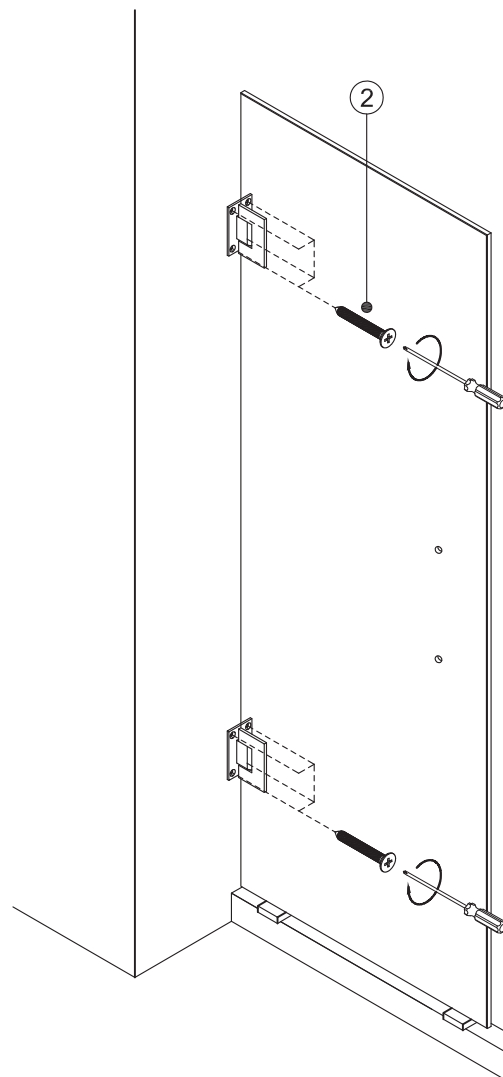
Note: The 19/32 cushions should be used when attaching the door panel to the wall. This will help keep all holes aligned while securing hinges.

Left Hand Assembly



② 1 1/2" SCREW

Right Hand Assembly



② 1 1/2" SCREW

Retractable Shower Screen



STEP 5

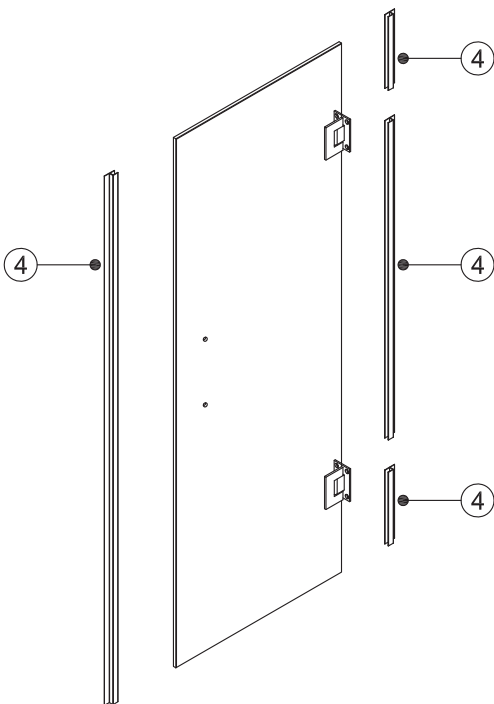
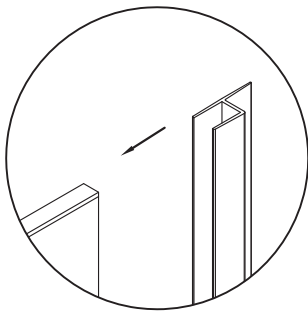
5.1 Swing DOOR PANEL until it is parallel to wall.

5.2 Cut the wall vinyl ④ into three pieces of the desired length.

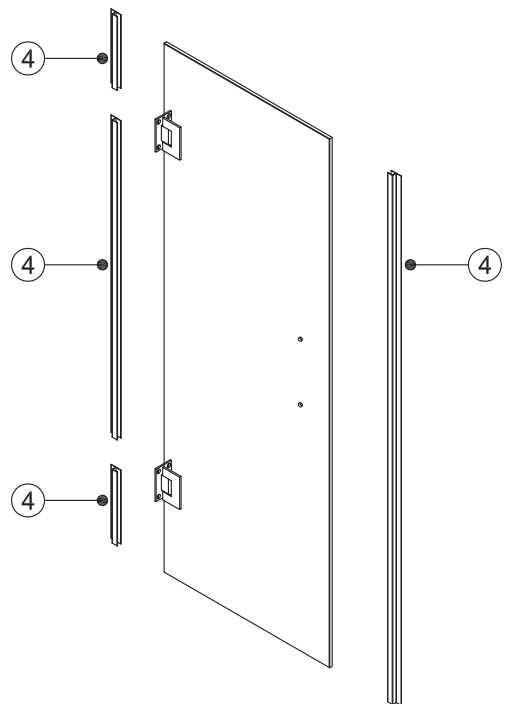
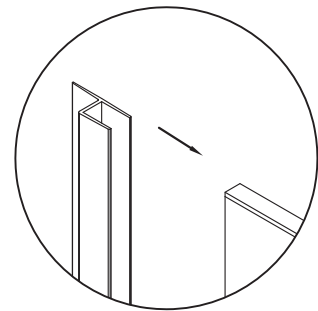


5.3 Put the three vinyl pieces on to glass door as shown.

Left Hand Assembly



Right Hand Assembly



Retractable Shower Screen

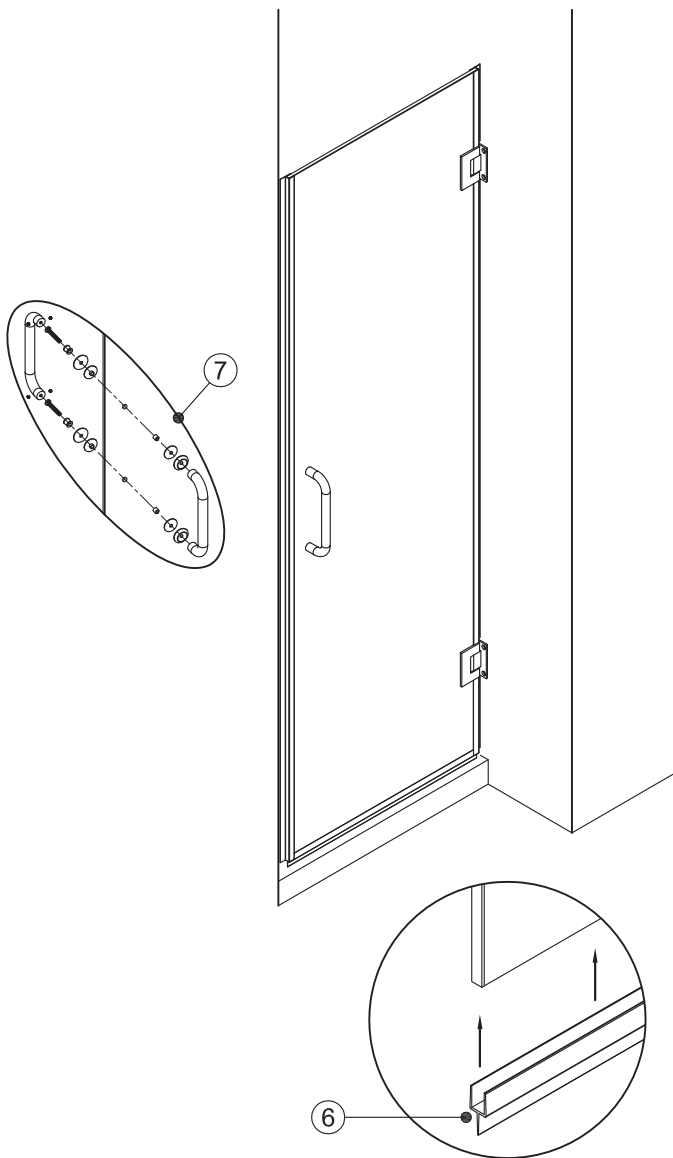
MISENO

STEP 7

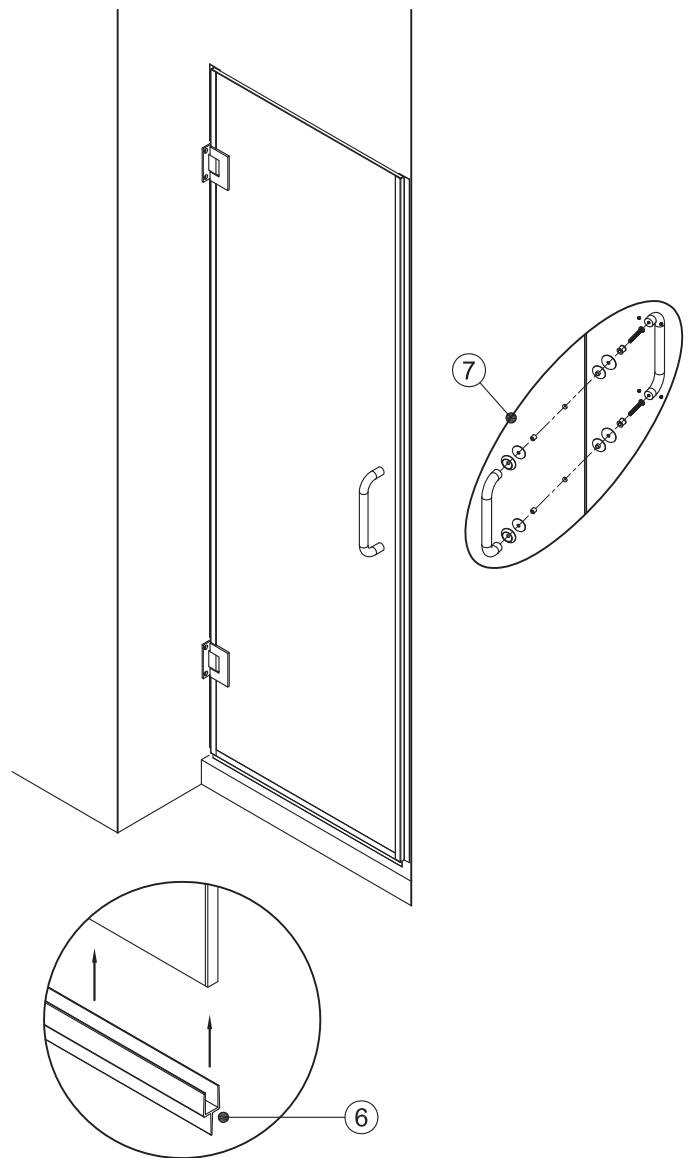
7.1 Install vinyl sweep (6) on Door panel.

7.2 Install the towel bar and knob as shown. Knob is to be on the inside.

Left Hand Assembly



Right Hand Assembly



Congratulations , all done!