

USER GUIDE

MEDICINE CABINET – DOUBLE DOOR WITH LED LIGHTED MIRROR



Model: MMC3026LED, MMC4026LED, MMC4826LED

IMPORTANT SAFETY INFORMATION

Please read through this installation instruction so you will know how to install and operate your model properly. Keep this document in a safe place for future reference after use.

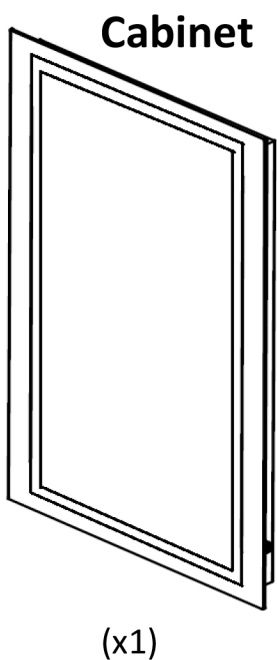
WARNING

This product must be installed in accordance with the installation instruction by qualified technician. Failure to follow instruction could result in death or serious bodily injury.

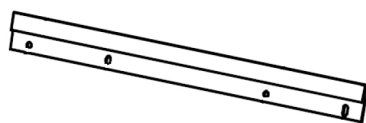
CAUTION

This product must be serviced by qualified personnel. ALWAYS unplug the power cord or turn off the circuit breaker before service.

PACKAGE CONTENTS

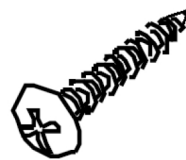


Mounting Bracket



(Model MMC3026LED x1)
(Model MMC4026LED x1)
(Model MMC4826LED x1)

Screw



(Model MMC3026LED x4)
(Model MMC4026LED x7)
(Model MMC4826LED x7)

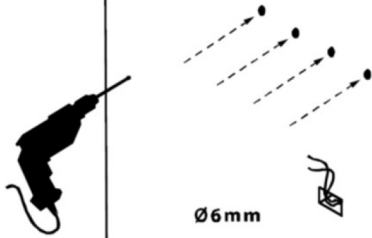
Drywall Anchor



(Model MMC3026LED x4)
(Model MMC4026LED x7)
(Model MMC4826LED x7)

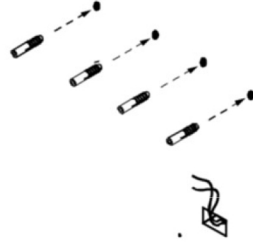
INSTALLATION

1



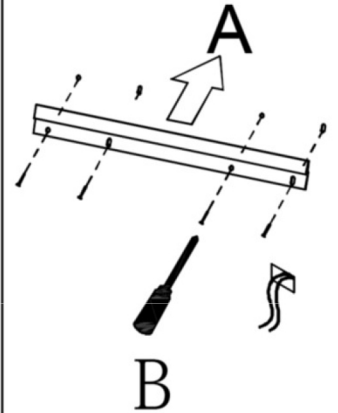
For drywall installation, mark the hole locations and drill Φ 6mm holes for the drywall anchors. Install a junction box behind the mirror for power connections.

2



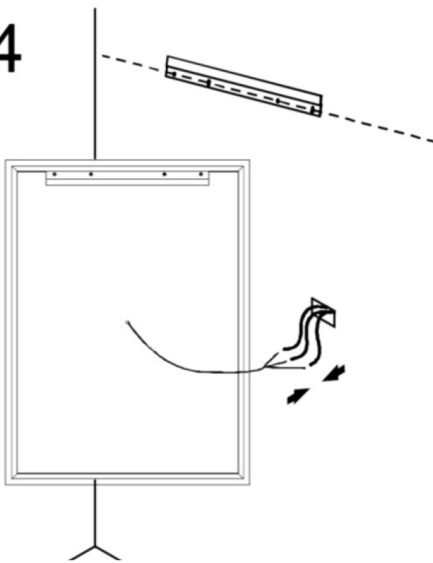
Insert provided drywall anchors.

3



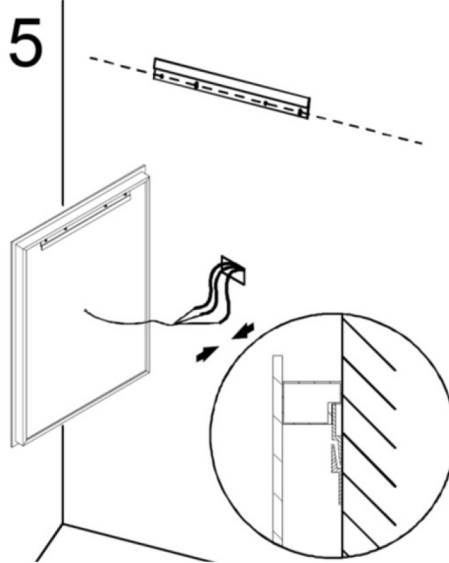
Install the mounting bracket.

4



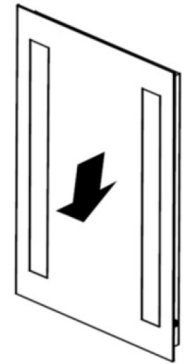
Connect to 120 VAC, 60Hz power supply.

5



Hang the mirror to the wall and make sure the bracket in the back of the mirror lineup with the mounting bracket properly.

6

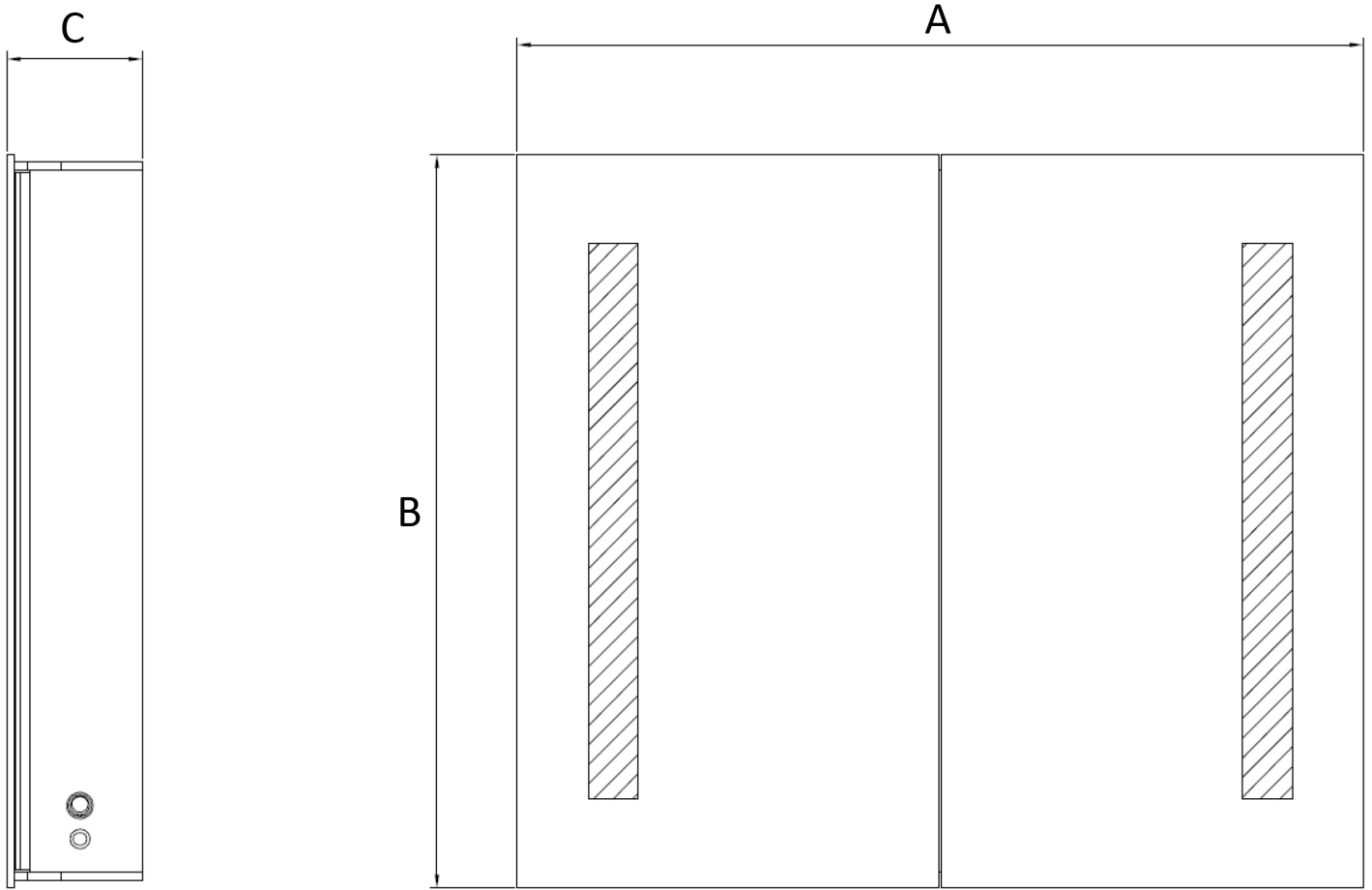


Press the mirror down slightly and make sure the brackets fit properly.



- Using the wall studs to hang the mirror is highly recommended.
- This mirror is NOT designed to work with dimmable wall switch.
- Before fixing the mounting location, please make sure there is no interference to the IR sensor. It requires a minimum clearance of 4-1/2" and will not function normally when interference occurs. Measure from the top of the backsplash if one is used. Remove the objects in vicinity or relocate the mirror and try again.

INSTALLATION DIMENSIONS



Model #	A	B	C
MMC3026LED	30	26	4 3/4
MMC4026LED	40	26	4 3/4
MMC4826LED	48	26	4 3/4



1. Rocker switch

- Turn switch to <|> position; lights can be controlled by the IR sensor.
- Turn switch to <O> position to turn off the lights.
- Turn switch to <||> position to turn on the lights.

2. Dimmable IR sensor

- Turn the Rocker switch to <|> position to activate the IR sensor.
- Move your hand across the IR sensor to turn the lights on or off.
- The distance between your hand and the sensor should be approx. 1”.
- To adjust the brightness of the lights, keep your hand in front of the sensor until the desirable brightness has reached and move your hand away from the sensor.
- If the lights flicker, the level of brightness might be too low; try to adjust the brightness to a higher level.



IR sensor requires a minimum clearance of **4-1/2”** and will not function normally when interference occurs. Remove the objects in vicinity or relocate the mirror and try again.

CARE AND MAINTENANCE

Clean the mirror with a soft, damp cloth and dry thoroughly with a soft towel. Do NOT allow the edges of the mirror to get or remain wet over a period of time. Please do NOT use glass cleaner that contains ammonia or vinegar. Never spray any cleaner directly onto a mirror. Instead apply the cleaner to a soft cloth and then wipe the mirror. Make sure no commercial cleaner comes in contact with the edge or backing.

WARRANTY

DEFECTIVE GOODS CONSUMER WARRANTY

MISENO inspects all of its products prior to shipment. We offer a 5-year Limited warranty on our electric mirror products. Defective products should be returned to place of purchase for replacement. However, if this is not possible, we accept returns on defective product with our written authorization. Returns will be handled by product replacement. Defects or damage caused to product by the consumer are not accepted.

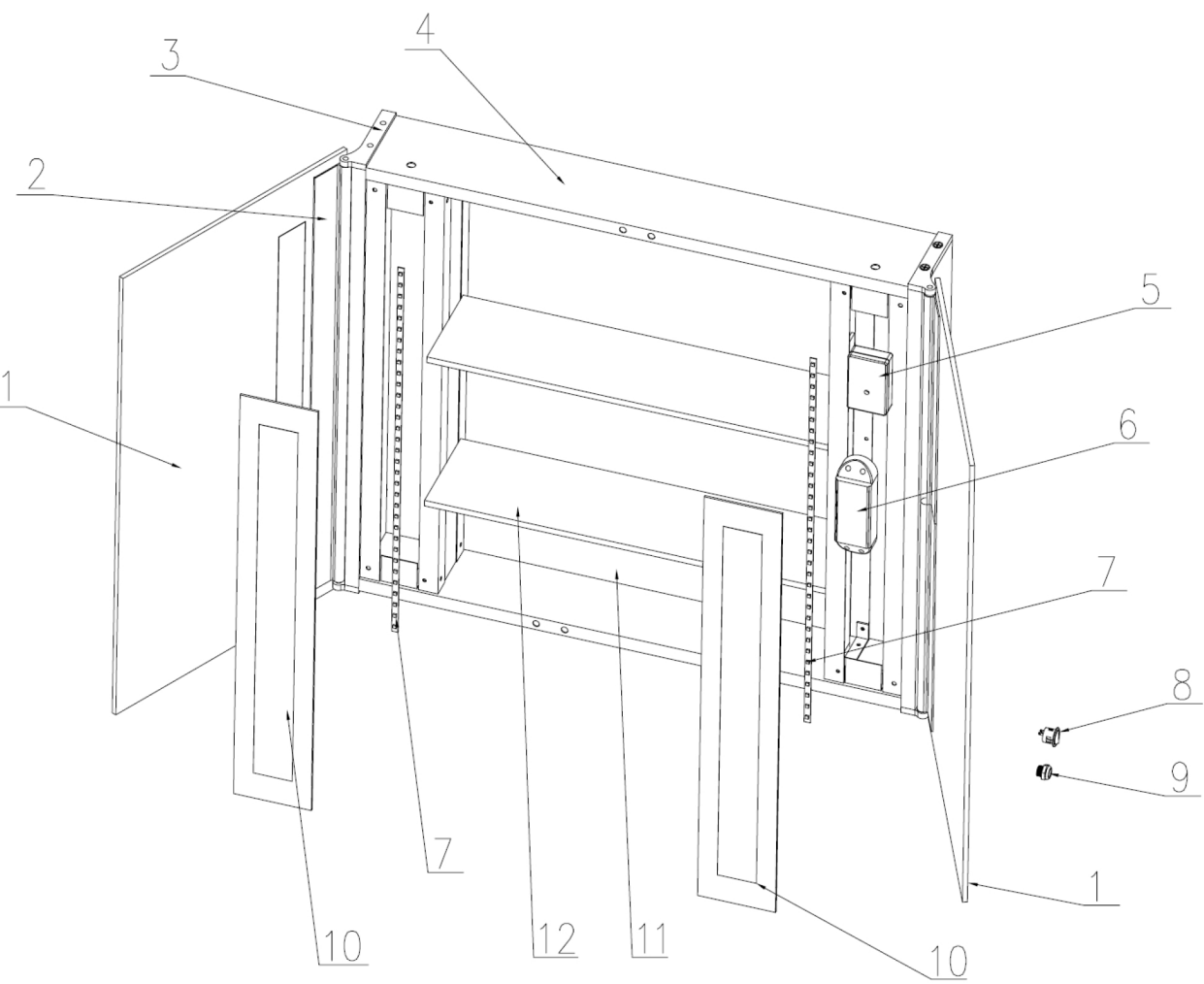
SHORTAGE OR DAMAGED PRODUCTS

All shipments are carefully inspected and counted before leaving our distribution centers. Please inspect carefully on receipt of merchandise, noting any discrepancy or damage on the carrier's freight bill at that time, and file a claim with the carrier within 10 days from receipt of order. Then contact our office. Deductions from invoices for shortages or damage claims will not be allowed.

RETURN NEW GOODS

All claims for returns or adjustments must have prior approval and return authorization (RGA) number. Only original, sealed product in salable condition are eligible for return. Credit for authorized returns will be issued at the net price paid for the product and subject to a 15% restocking/handling fee. Merchandise is to be returned via prepaid freight. All unauthorized returns will be refused or subject to a 25% restocking/handling fee.

REPLACEMENT PARTS



Part	Description
1	Mirror Door
2	Hinge
3	Aluminum Cover
4	Aluminum Panel
5	Connection Box
6	LED Driver
7	LED Light Strip
8	Rocker Switch
9	Dimmable IR Sensor
10	Mirror
11	Back Board
12	Glass Shelf



401 Otterson Drive
Chico, CA 95928

www.miseno.com