

USER GUIDE

LED LIGHTED MIRROR W/BUILT-IN MAGNIFIER



Model: MM2432LEDM, MM3632LEDM, MM4832LEDM,
MM6028LEDM

IMPORTANT SAFETY INFORMATION

Please read through this installation instruction so you will know how to install and operate your model properly. Keep this document in a safe place for future reference after use.

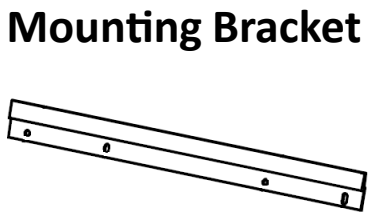
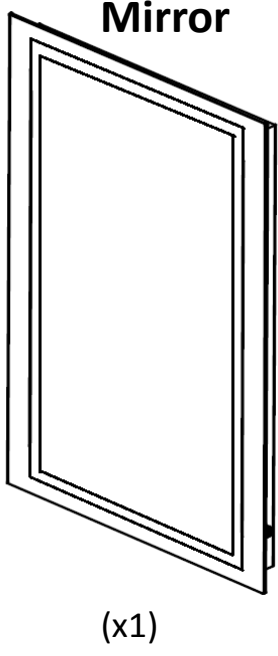
WARNING

This product must be installed in accordance with the installation instruction by qualified technician. Failure to follow instruction could result in death or serious bodily injury.

CAUTION

This product must be serviced by qualified personnel. ALWAYS unplug the power cord or turn off the circuit breaker before service.

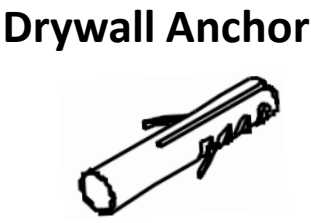
PACKAGE CONTENTS



(Model MM2432LED x1)
(Model MM3632LED x1)
(Model MM4832LED x2)
(Model MM6028LED x2)

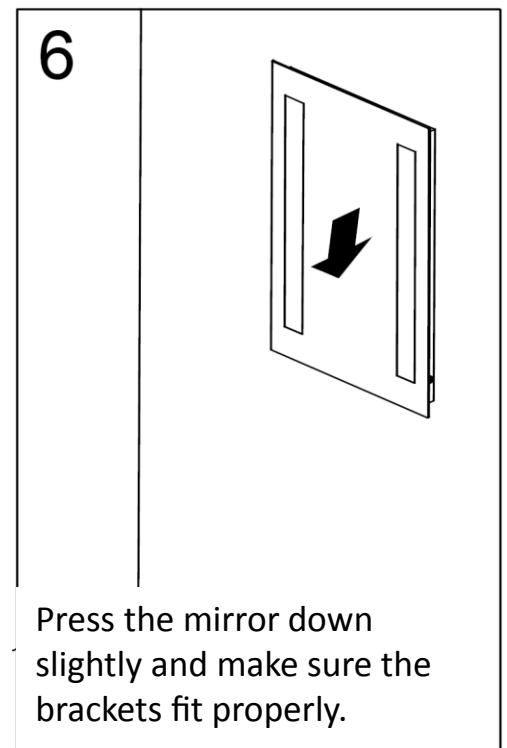
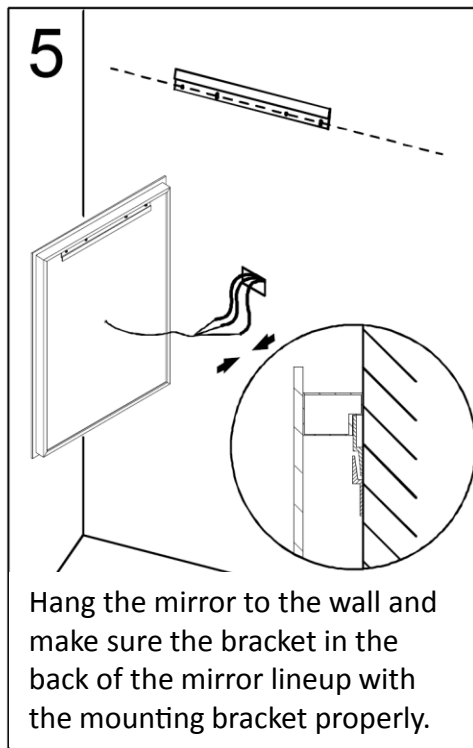
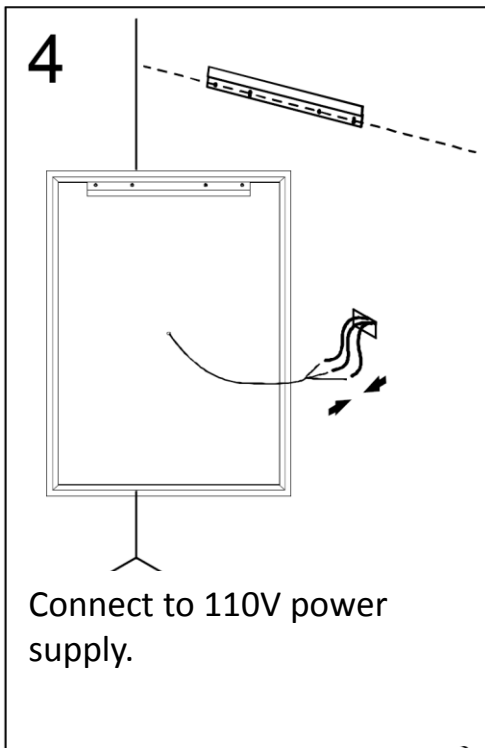
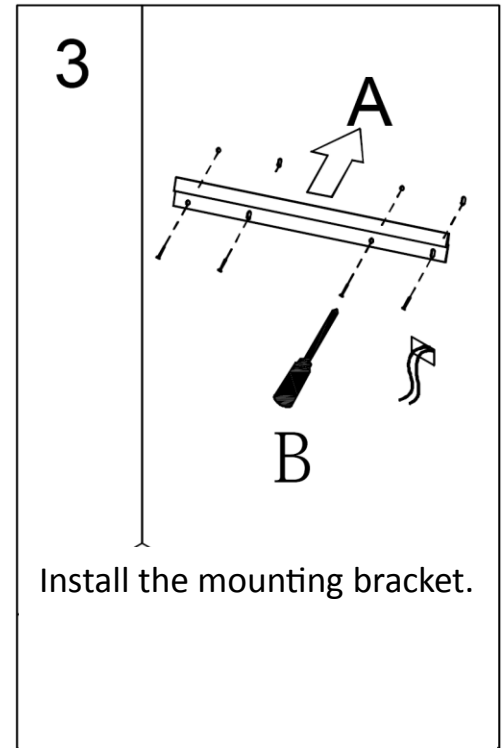
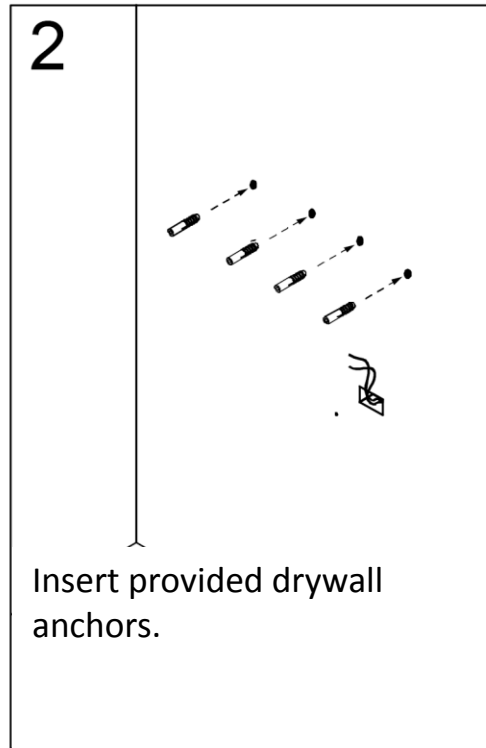
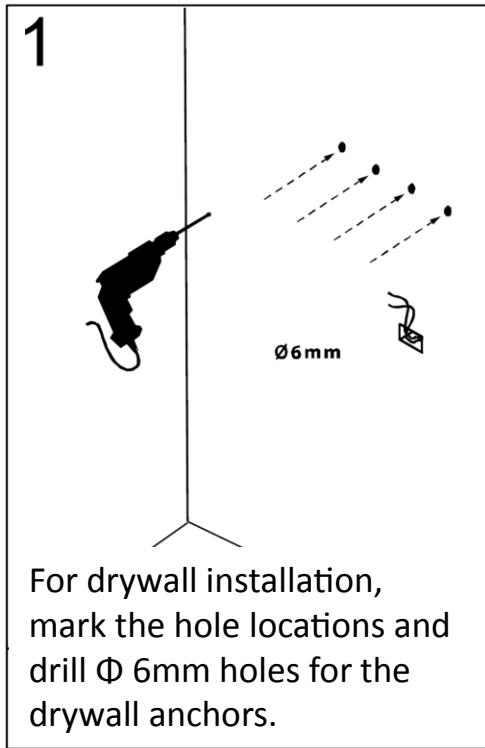


(x4)



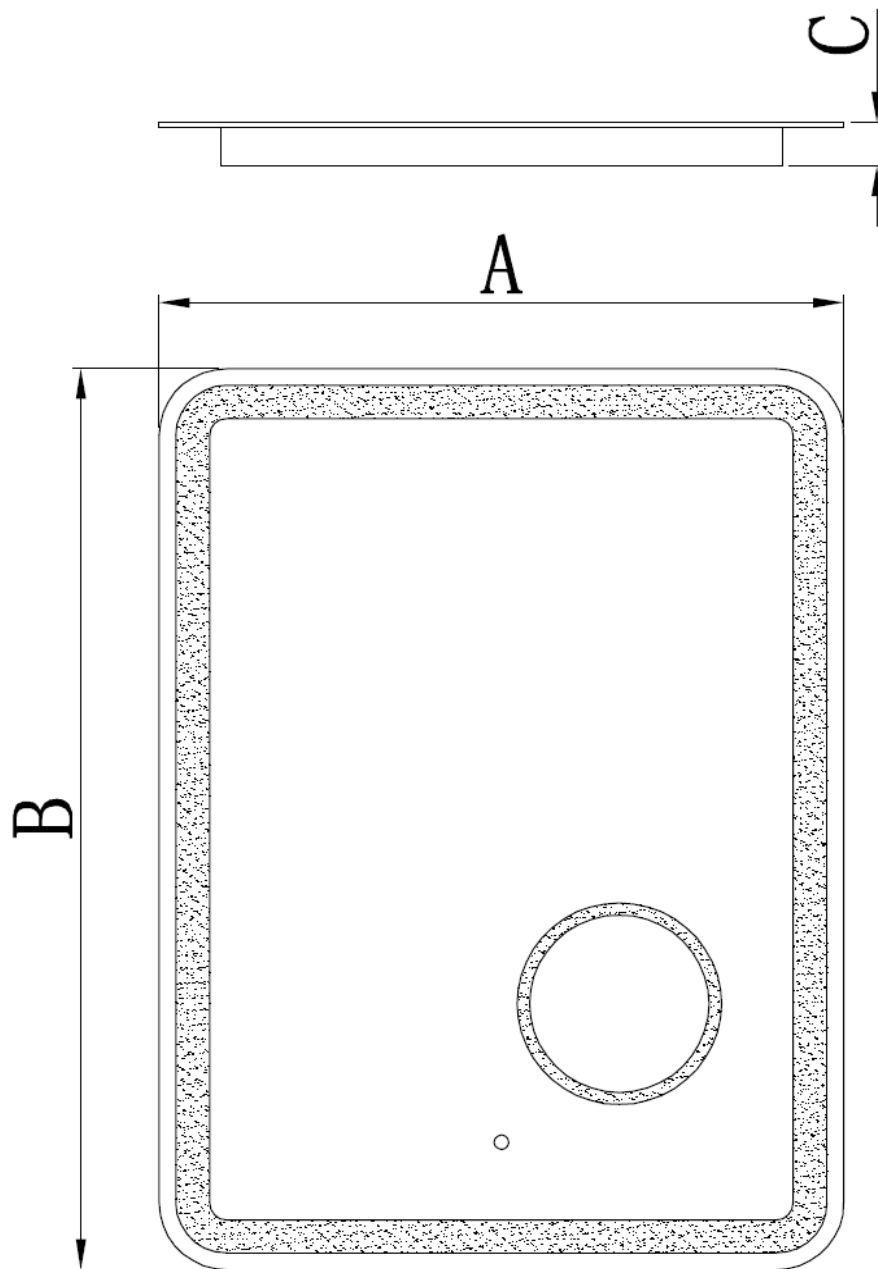
(x4)

INSTALLATION



- IMPORTANT**
- Using the wall studs to hang the mirror is highly recommended.
 - This mirror is NOT designed to work with dimmable wall switch.

INSTALLATION DIMENSIONS



Model #	A	B	C
MM2432LEDM	24	32	1 5/8
MM3632LEDM	36	32	1 5/8
MM4832LEDM	48	32	1 5/8
MM6028LEDM	60	28	1 5/8



IR sensor

- a. The IR sensor is located in front of the mirror towards the bottom.
- b. Move your hand across the IR sensor to turn the lights on or off.
- c. The distance between your hand and the sensor should be approx. 1”.

CARE AND MAINTENANCE

Clean the mirror with a soft, damp cloth and dry thoroughly with a soft towel. Do NOT allow the edges of the mirror to get or remain wet over a period of time. Please do NOT use glass cleaner that contains ammonia or vinegar. Never spray any cleaner directly onto a mirror. Instead apply the cleaner to a soft cloth and then wipe the mirror. Make sure no commercial cleaner comes in contact with the edge or backing.

WARRANTY

DEFECTIVE GOODS CONSUMER WARRANTY

MISENO inspects all of its products prior to shipment. We offer a 5-year Limited warranty on our electric mirror products. Defective products should be returned to place of purchase for replacement. However, if this is not possible, we accept returns on defective product with our written authorization. Returns will be handled by product replacement. Defects or damage caused to product by the consumer are not accepted.

SHORTAGE OR DAMAGED PRODUCTS

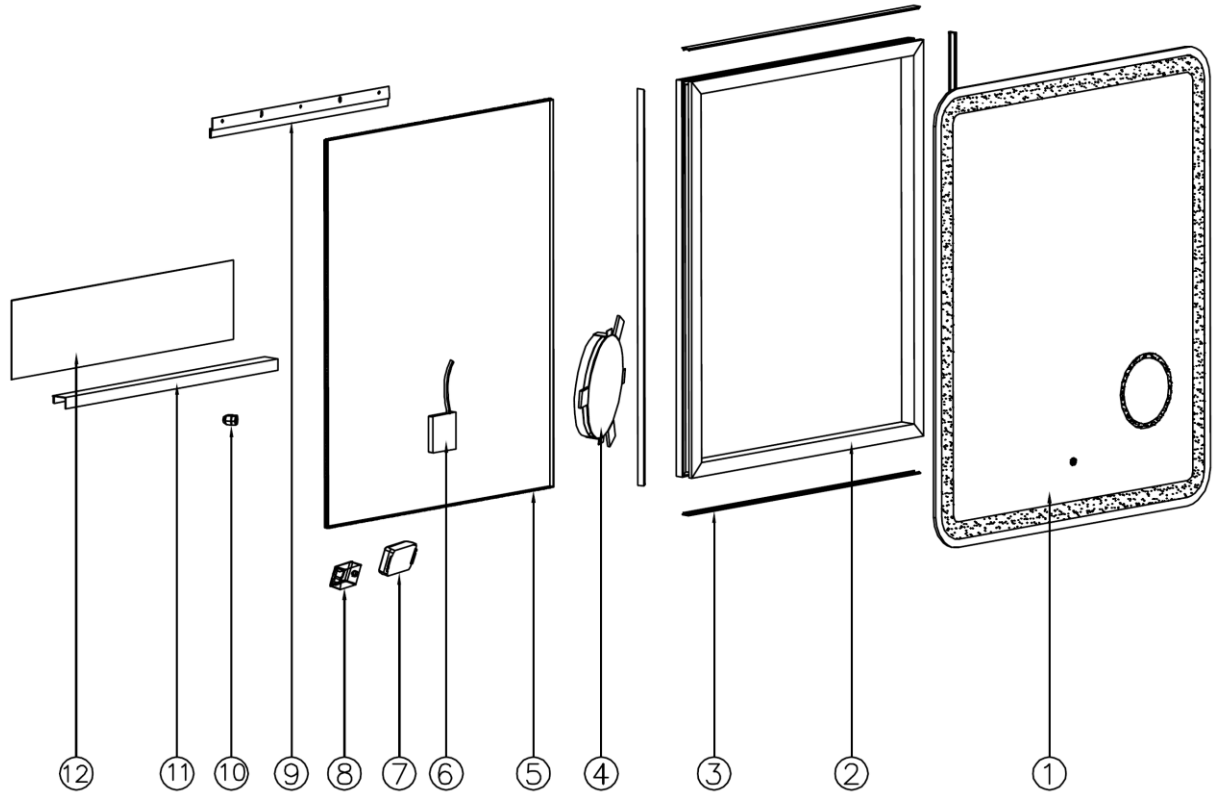
All shipments are carefully inspected and counted before leaving our distribution centers. Please inspect carefully on receipt of merchandise, noting any discrepancy or damage on the carrier's freight bill at that time, and file a claim with the carrier within 10 days from receipt of order. Then contact our office. Deductions from invoices for shortages or damage claims will not be allowed.

RETURN NEW GOODS

All claims for returns or adjustments must have prior approval and return authorization (RGA) number. Only original, sealed product in salable condition are eligible for return. Credit for authorized returns will be issued at the net price paid for the product and subject to a 15% restocking/handling fee. Merchandise is to be returned via prepaid freight. All unauthorized returns will be refused or subject to a 25% restocking/handling fee.

REPLACEMENT PARTS

Part	Description
1	Mirror
2	Aluminum Frame
3	Polycarbonate Cover
4	Magnifier
5	LED Strip
6	IR Sensor Switch
7	LED Driver
8	IR Sensor Driver
9	Mounting Bracket
10	Cable Gland
11	Aluminum Bracket
12	Galvanized Plate





401 Otterson Drive
Chico, CA 95928

www.miseno.com