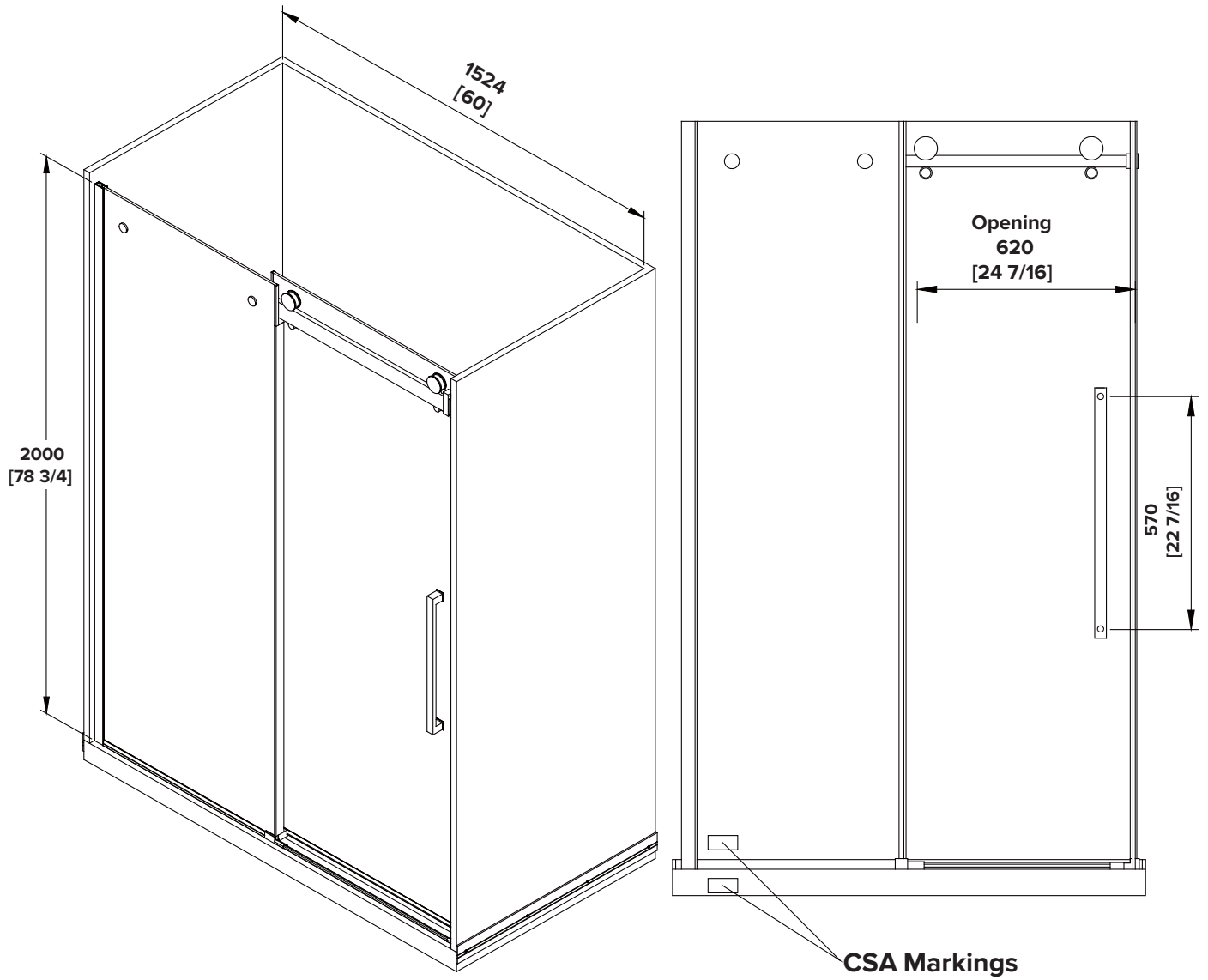


Measures: millimeter [inch]



Purchase date: \_\_\_\_\_

Product Tracking Reference: \_\_\_\_\_



### Questions, problems, missing parts?

Before returning to your retailer, call our customer service department at  
1-855-480-2915, 5 a.m. - 7 p.m., PST, Monday - Friday

# SAFETY INFORMATION

---

## CAUTION

Please carefully read the following important safety information before handling or installing this shower. There is a risk of serious injury while handling this product. To minimize these risks, please note:

- Always wear safety glasses and gloves while handling.
- Always read and follow all the steps in the installation instructions.
- Inspect all contents and glass for damage before installation.
- Extreme caution should be taken while handling the glass during installation as the tempered glass may shatter if in contact with a hard surface.
  - Handle the tempered glass with caution! Improperly handling the glass can cause it to break suddenly in small pieces (never in pointed fragments).
  - Always take all precautions not to touch the tempered glass with any tools during the installation, or after installed.
  - Do not cut or modify the tempered glass as it will shatter if cut.
  - Carefully remove product from packaging and keep packaging until installation is complete.
  - Inspect all parts for damage; if there is damage to the unit prior to installation, please contact customer service at the number provided in this guide.
  - Install the shower on a floor that is level and able to accommodate the weight of the unit and an occupant.
  - Consult local building codes and compliance standards prior to installation and ensure conformity.
  - After installation, and from time to time, check the glass for fit and finish to ensure that nothing has come loose since installation.
  - Keep this installation manual for future reference.

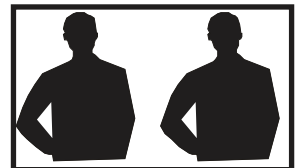
## NOTICE

- Any modification or alteration from what is specified in this instruction manual will void any and all warranty on this product.
- The distributor is not responsible for any damage to the unit or personal property caused by improper installation. If you disregard instructional warnings, you will void your warranty and possibly deal with water damage.
- Consult [www.miseno.com](http://www.miseno.com) for any additional information or question on this product's installation.

## PREPARATION

---

You will need at least two people to install this unit properly.



Before beginning assembly of product, make sure all parts are present. Compare parts with package contents list and hardware contents list. If any part is missing or damaged, do not attempt to assemble the product.

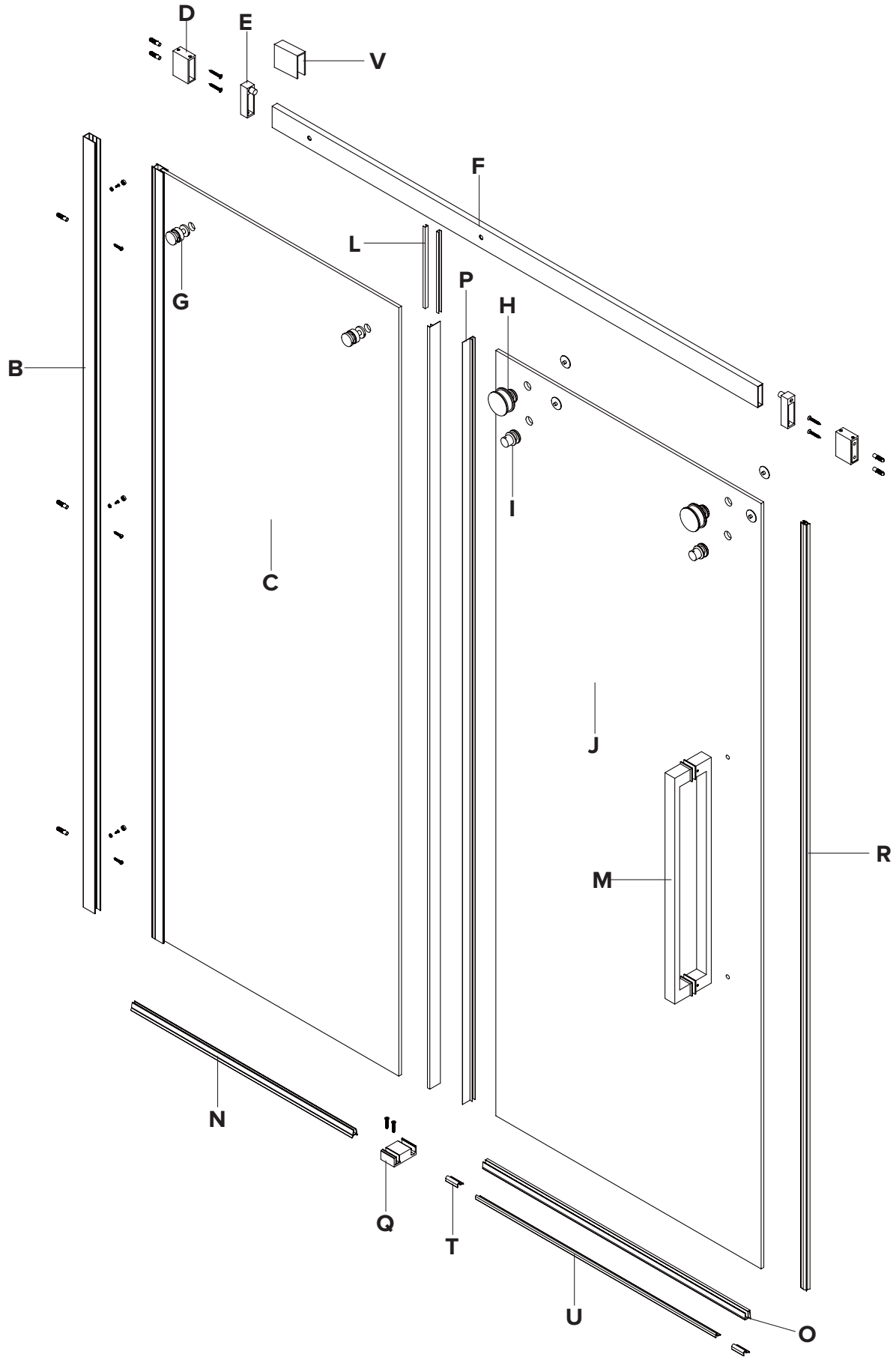
**Estimated Assembly Time: Shower (60 min).**

# TABLE OF CONTENT

---

PACKAGE CONTENT.....	5
HARDWARE CONTENT.....	6
TOOLS REQUIRED.....	6
SHOWER REVERSIBILITY.....	7
WALL TO WALL MEASURES.....	7
BASE INSTALLATION GUIDELINES (OPTIONAL).....	8
WALL TRACK INSTALLATION.....	9
FIXED PANEL INSTALLATION.....	10
SUPPORT BAR INSTALLATION.....	11
DOOR PANEL INSTALLATION.....	12
HANDLE INSTALLATION & SEALING.....	13
LIMITED PRODUCT WARRANTY.....	14
CARE AND MAINTENANCE.....	14

# PACKAGE CONTENT

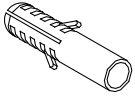


# PACKAGE CONTENT

<b>PART#</b>	<b>DESCRIPTION</b>	<b>QTY</b>	<b>CODE</b>
B	Aluminum wall track	1	99STR3107-WM
C	Fixed glass panel	1	99SG31005-WM
D	Support bar's anchors	2	99SGC3106-WM
E	Shower door stoppers	2	99SDS0005-WM
F	Support bar	1	99SGS3104-WM
G	Fixed panel's brackets	2	99SGC3107-WM
H	Door rollers	2	99SWE3103-WM
I	Anti-jump pegs	2	99SWE3107-WM
J	Door panel	1	99SGD0005-WM
L	Short seal strips	2	99SRU0063
M	Door handle	1	99SHA3104-WM
N	Fixed panel's bottom seal strip	1	99SRU0166
O	Door bottom seal strip	1	99SRU0028
P	Glass panel's vertical seal strips	2	99SRU0026
Q	Sliding door guide (with its rubber fitting	1	99SGC1018-WM
R	Door panel vertical seal strip	1	99SRU0027
T	Decorative end caps	2	99SHW0101-WM
U	Decorative aluminum track	1	99STR1019-WM
V	Aluminum profile	1	99STR1044-WM
W	Hardware content	1	99SHW0110

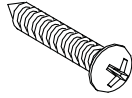
# HARDWARE CONTENT

AA



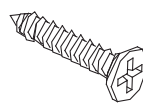
Wall Anchor  
ø8x30mm  
7+2

BB



Screw  
ST5x30mm  
3+1

CC



Screw  
ST5x25mm  
2+1

DD



Screw  
ST4x12mm  
3+1

EE



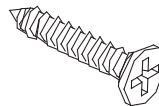
Cap  
3x

FF



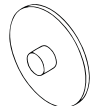
Fitting  
3x

GG



Screw  
ST5x35mm  
4+1

HH



Cap  
4x

# TOOLS REQUIRED



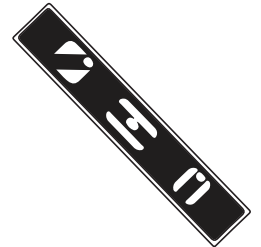
Pencil



Screwdriver



Drill with ceramic tile bits  
ø3mm (1/8in) & ø4mm (3/16in) & ø8mm (5/16in)



Level



Measuring Tape



Silicone



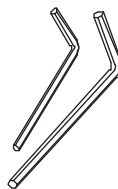
Rubber mallet



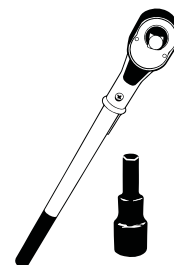
Cutter



Safety glasses



Allen key  
2.5mm & 5mm

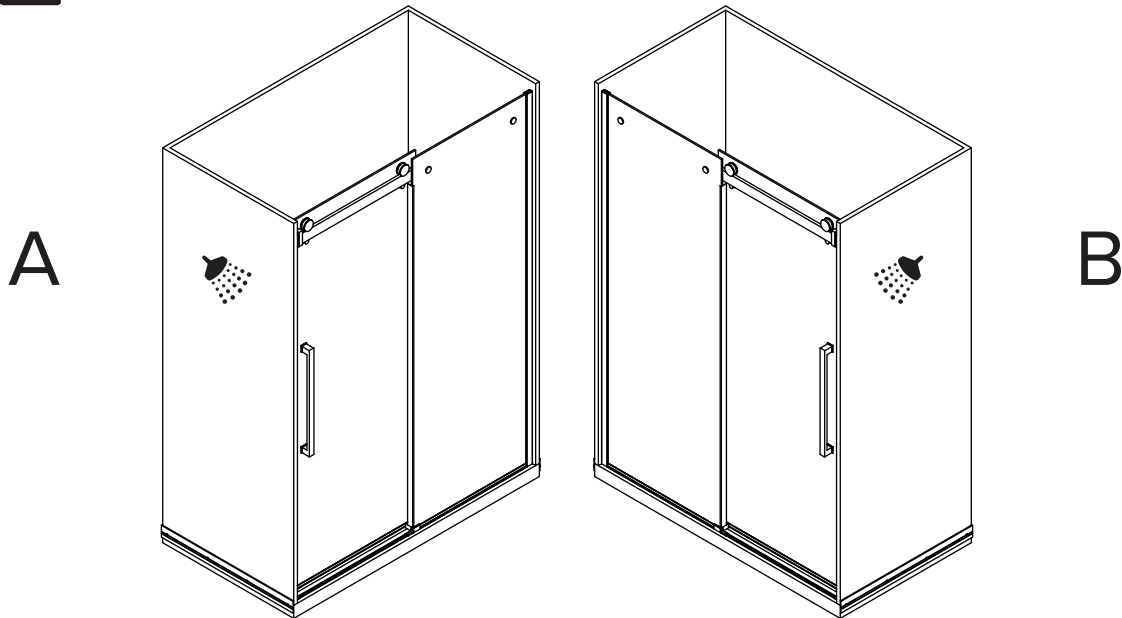


5mm Bit socket

# SHOWER REVERSIBILITY

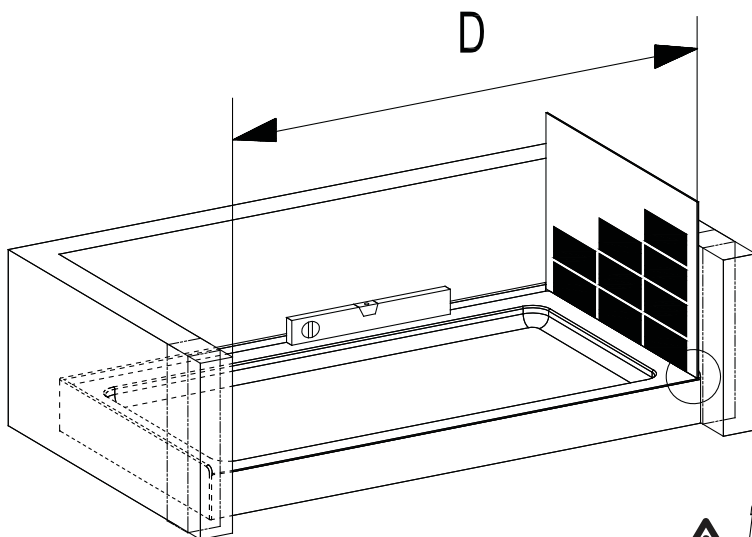
- This instruction is drawn up for an opening from right to left (see illustration B).
- For an installation from left to right (see illustration A), use the same instructions, but switch around the panels: mirror effect.

**! Install the shower head on the door's side! This will reduce the risk of leaking.**



## WALL TO WALL MEASURES

- Measure the thickness of your tiles on either side before installing the metal tracks. A thicker tile will limit your space to install the shower panels.
- Make sure to have a tile to tile distance (D) between 1478mm (58 3/16 in) min. and 1493mm (58 3/4 in) max. (see image).



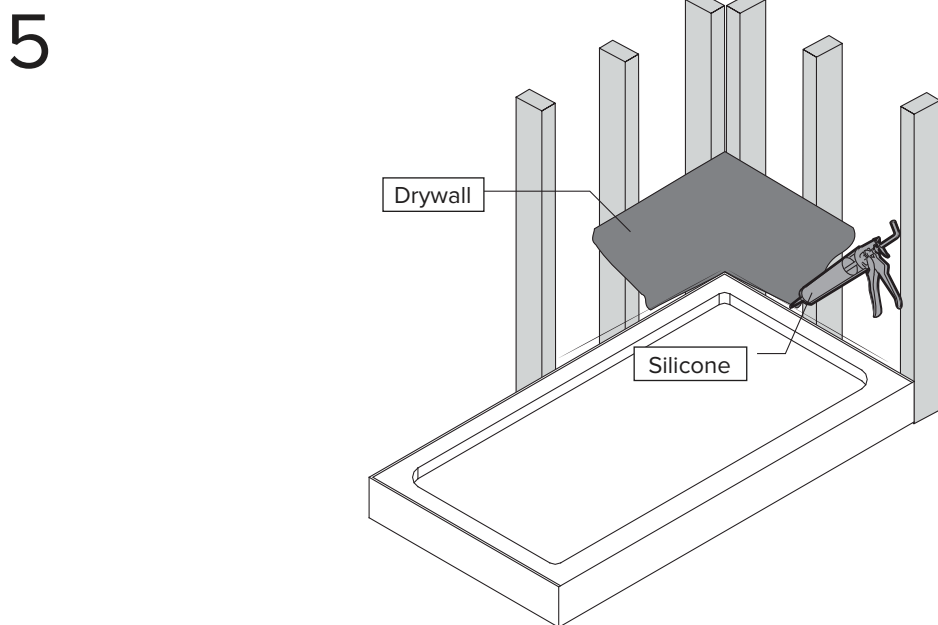
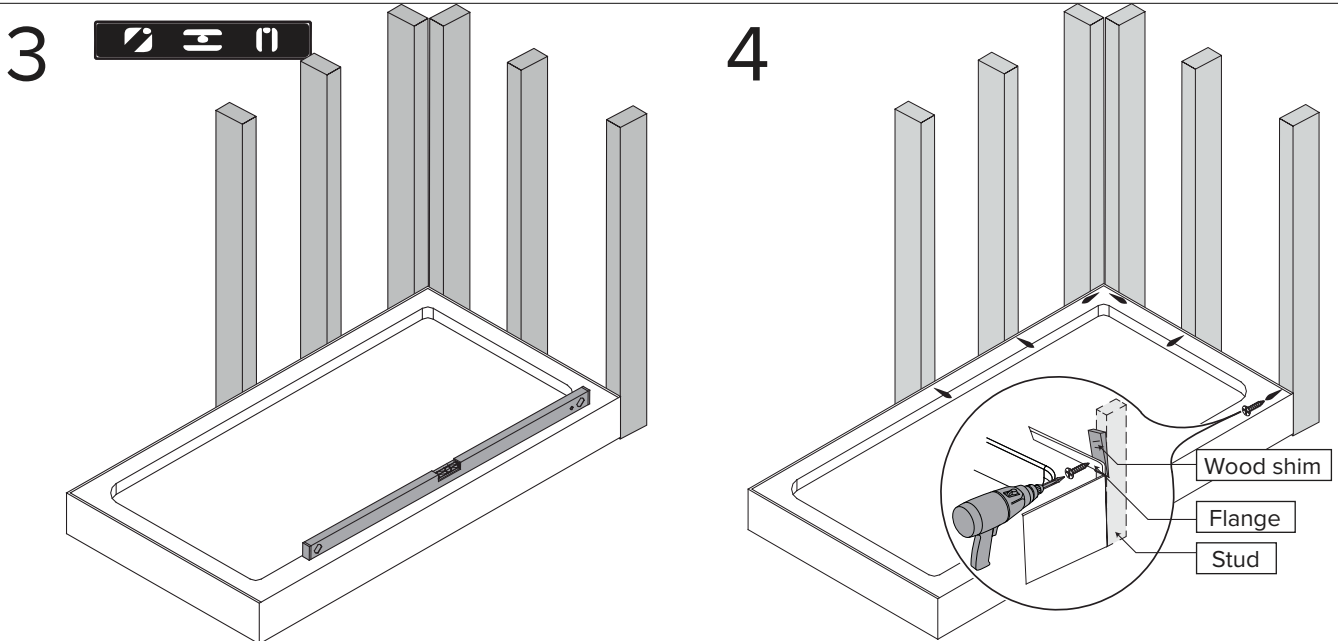
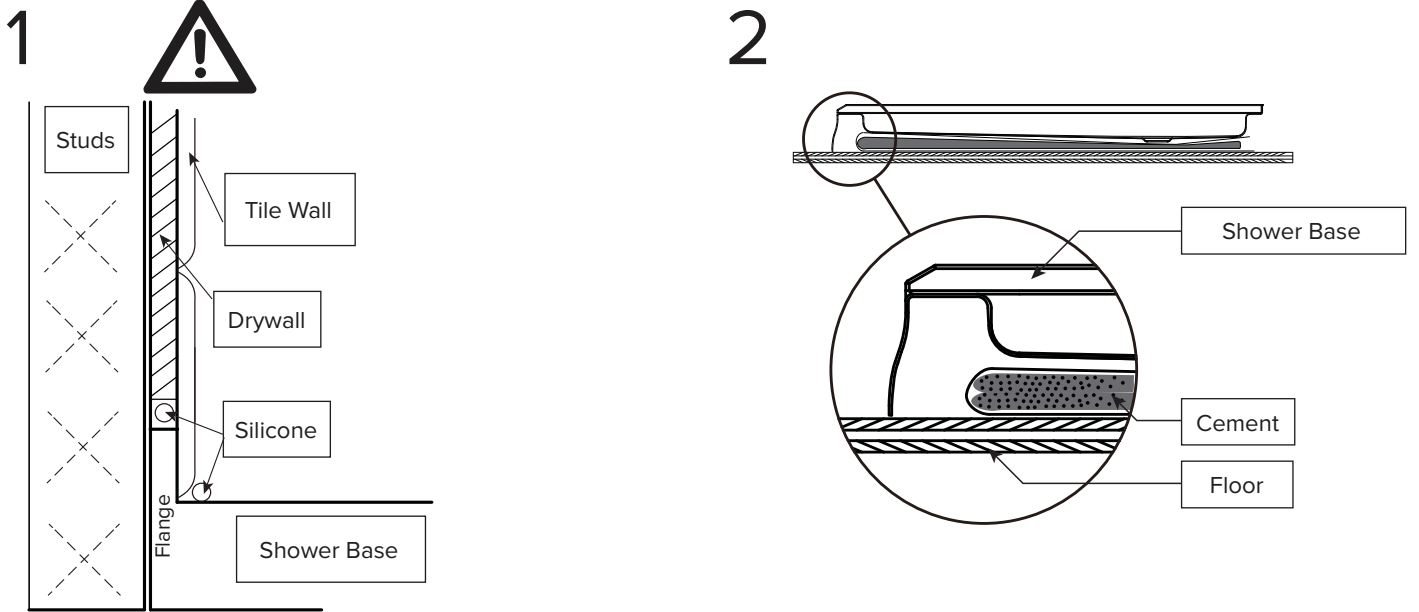
Make sure to have a distance (D) from the left side tile to the right side tile:

D Min: 1478mm (58 3/16 in)  
D Max: 1493mm (58 3/4 in)



If  $D < 1478\text{mm}$  (58 3/16 in) you can cut the support bar to adequate size. Only cut the side with no holes!

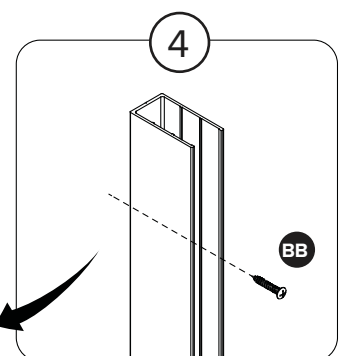
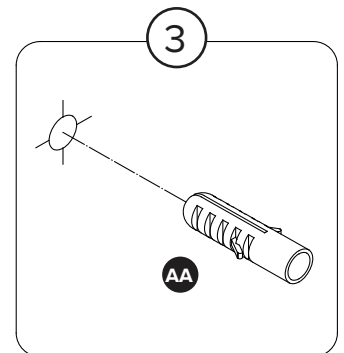
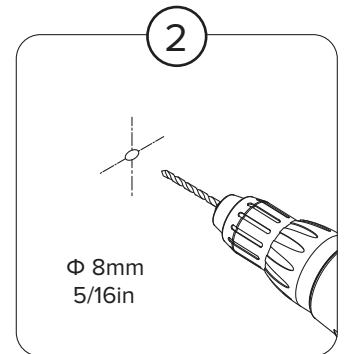
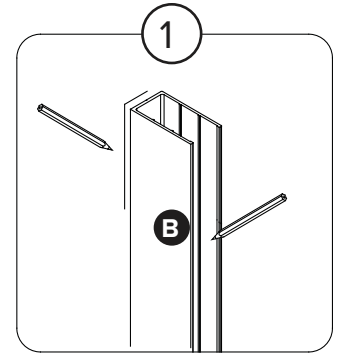
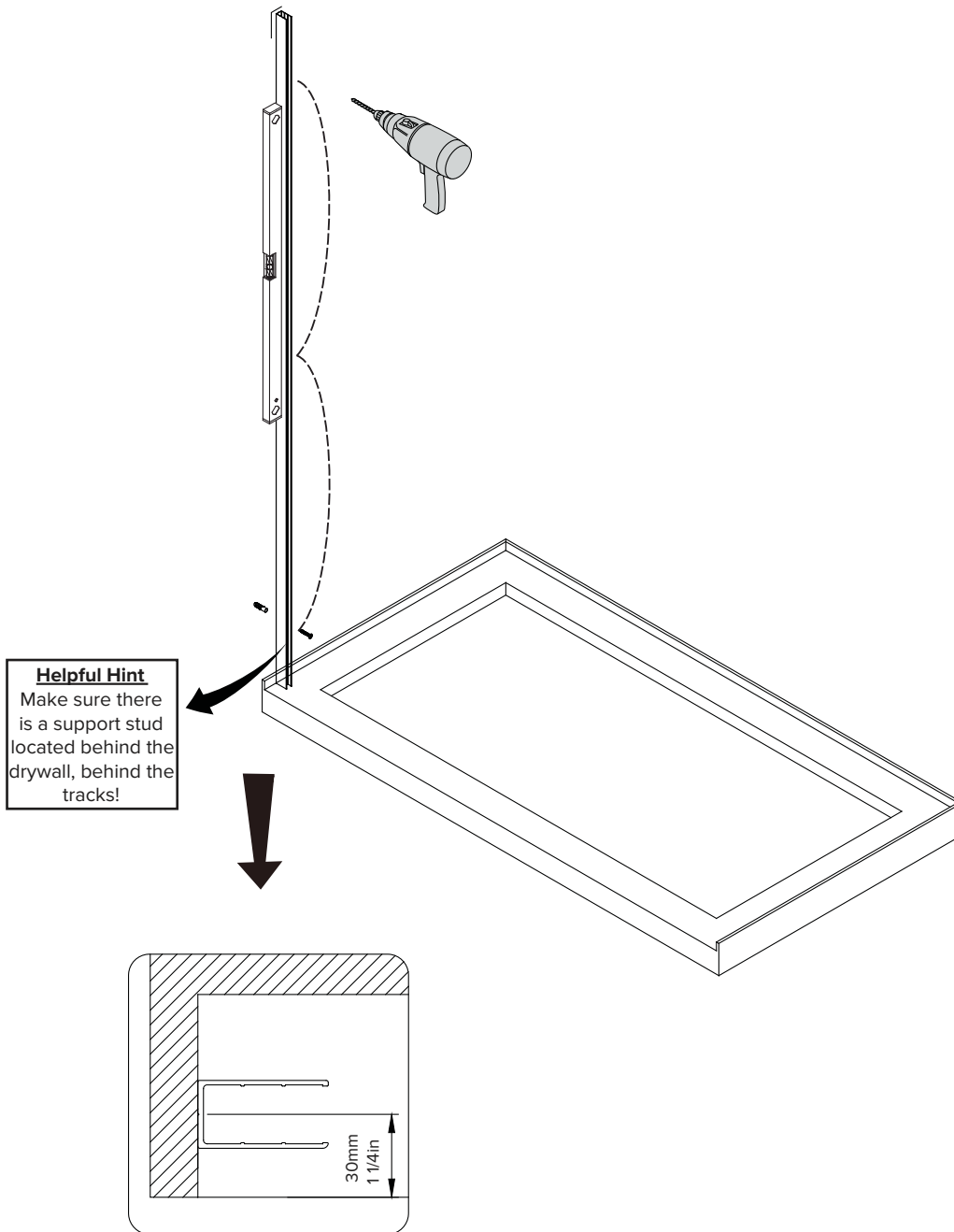
# BASE INSTALLATION GUIDELINES (OPTIONAL)





# WALL TRACK INSTALLATION

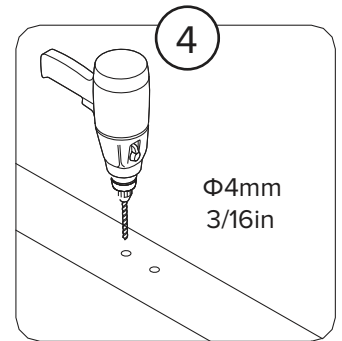
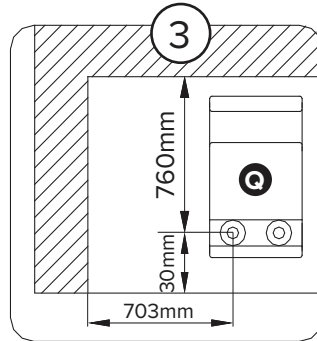
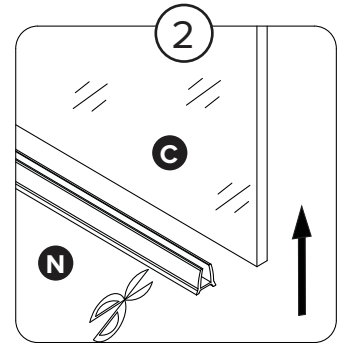
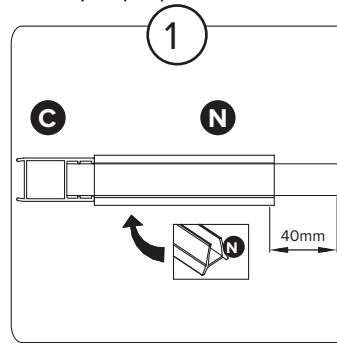
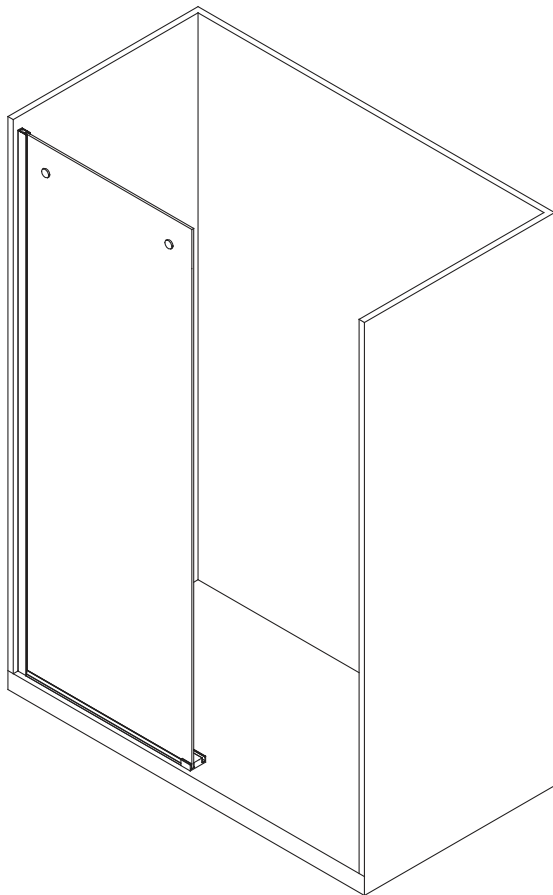
1. Ensure the base and walls are leveled. Place the metal track (B) approximately 30mm (1-1/4 in) from the edge of the base to the center of the metal track. Ensure the metal track (B) is leveled, then mark the holes clearly on the wall.
2. Remove track and drill pilot holes in the marked locations with a  $\Phi 8\text{mm}$  (5/16in) drill bit.
3. Insert the wall anchors (AA) using a rubber mallet until the wall anchors are flush with the wall.
4. Replace and secure the metal track (B) with screws (BB). Do not overtighten.



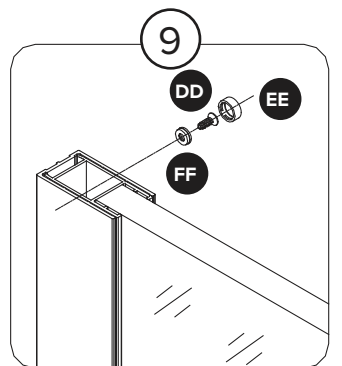
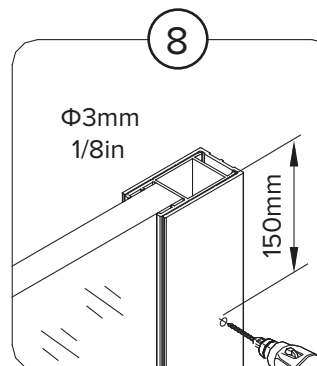
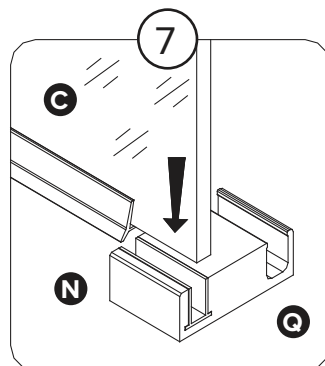
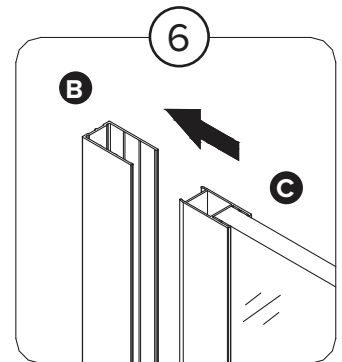
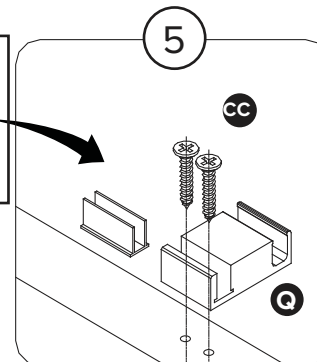
**Helpful Hint**  
Do not overtighten!  
This may crack the acrylic or tile walls.

# FIXED PANEL INSTALLATION

- 1-2. Insert the fixed panel's bottom seal strip (N) at the base of the fixed glass panel (C). Cut the surplus part with a cutter to size, about 40mm from the panel's edge.
3. Place the sliding door guide (Q) on the base.
4. Mark the positions of holes of the sliding door guide (Q) with a pencil, and drill pilot holes with a  $\phi 4\text{mm}$  (3/16in) drill bit.
5. Fix the sliding door guide (Q) with the screw (CC). Ensure the plastic gasket in the guide is in place as it protects the fixed glass panel.
- 6-7. Place the fixed glass panel (C) into the wall track (B) and the sliding door guide (Q).
- Note: The wall track (B) allows you to adjust the position of the fixed glass panel (C). Adjusting the depth and/or giving the fixed glass panel a slight angle allows for precise alignment with the door.**
8. Drill the fixed panel (C) with  $\Phi 3\text{mm}$  (1/8in) in 3 places.
9. Secure the wall track (B) using screws (DD), fittings (FF) and caps (EE).



**Helpful Hint**  
Add a drop of silicone in the holes before inserting the screws

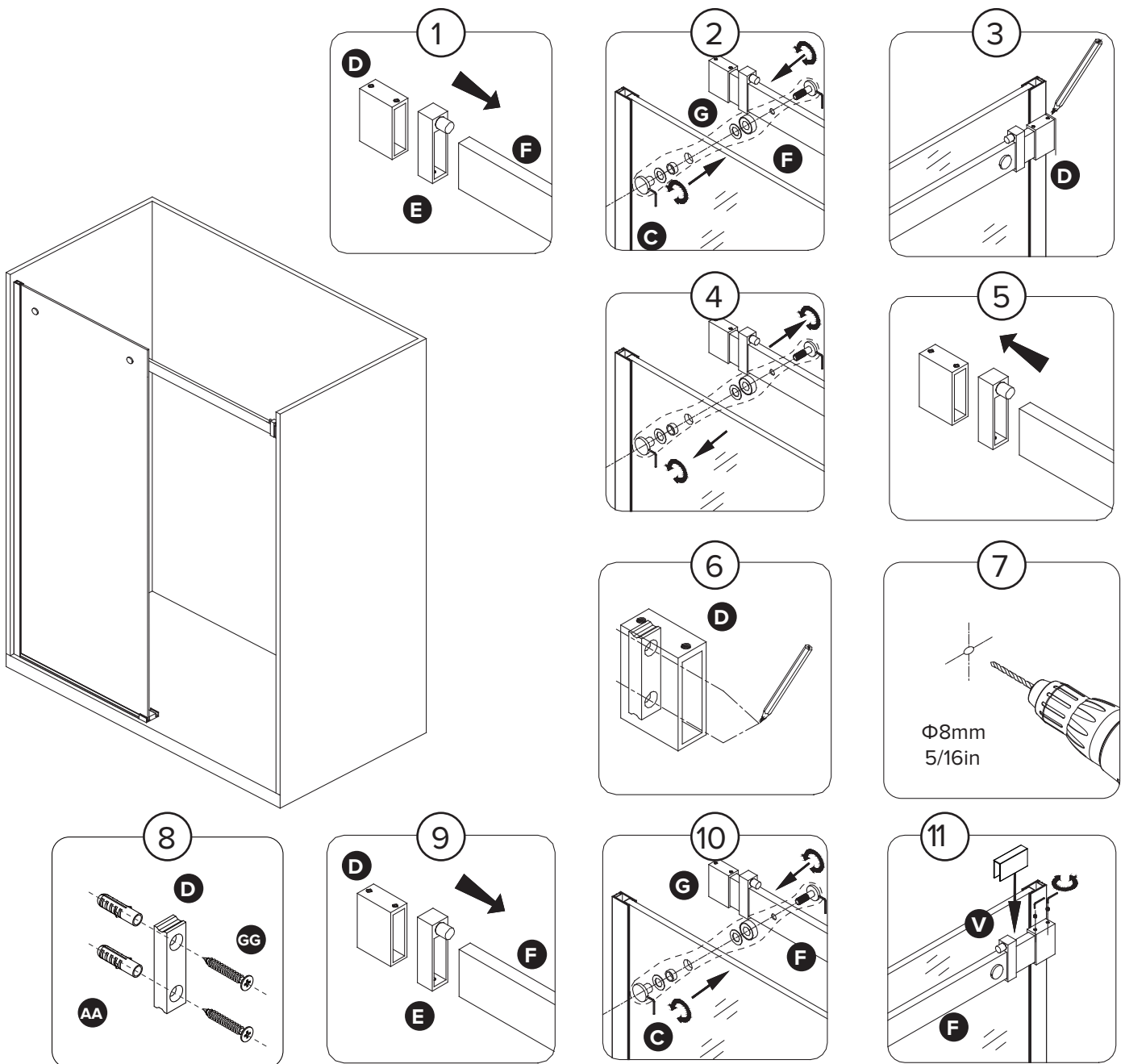


# SUPPORT BAR INSTALLATION

1. Slide the 2 stoppers (E) and the 2 support bar's anchors (D) onto the support bar (F).
2. Loosely mount the support bar (F) onto fixed glass panel (C) using the brackets (G) and level it.
3. Mark the outline of the 2 support bar's anchors (D) on the wall.
- 4-6. Completely remove the support bar. Place the 2 support bar's anchors (D) back on their wall mark, then mark their center on the wall.

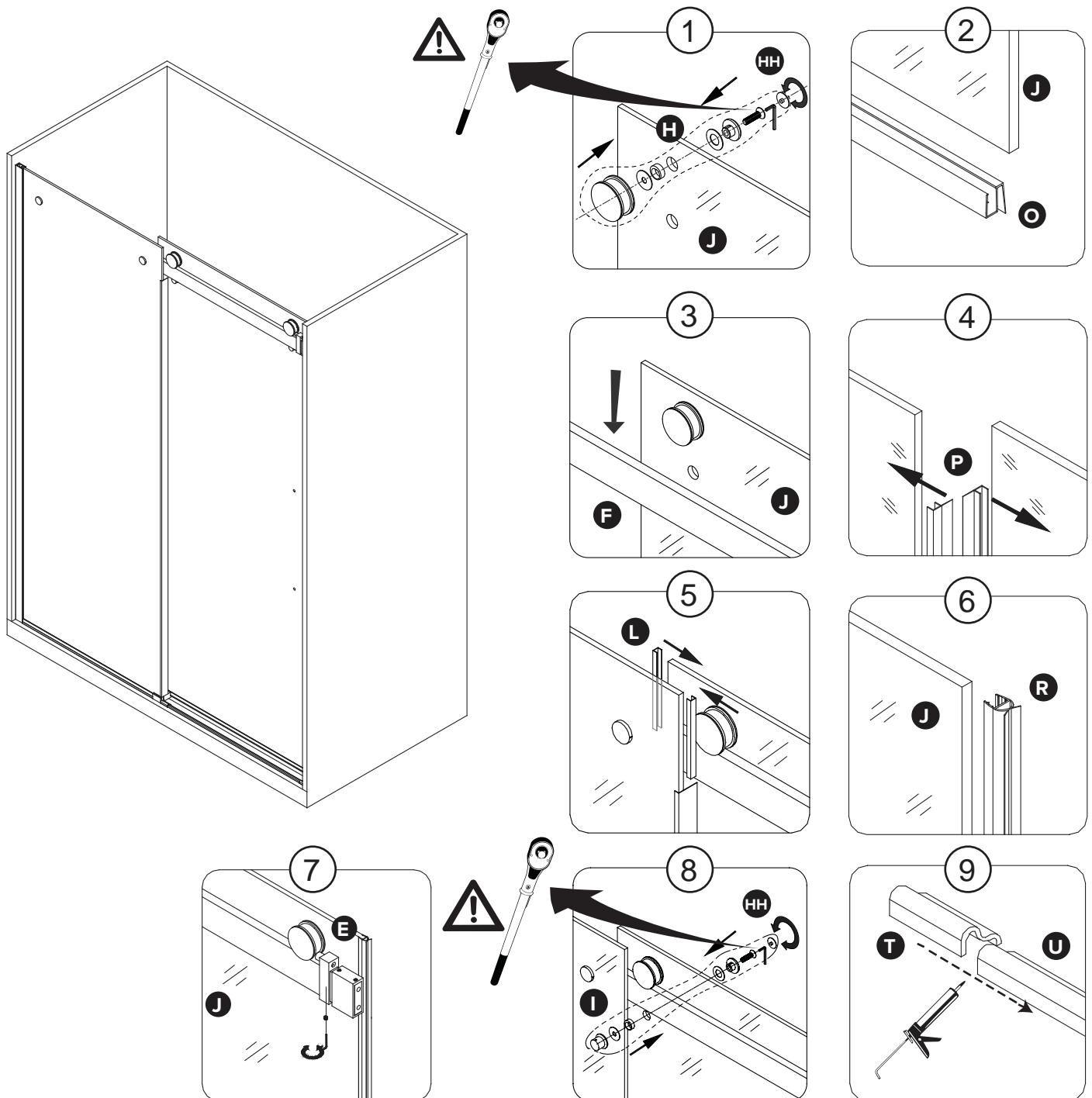
**Note: Before continuing, place the door panel (J) inside the shower enclosure to facilitate future steps!**

7. Drill a hole on the center marks and insert the wall anchors (AA) using a rubber mallet.
8. Fix the center fitting of the support bar's anchors (D) using the screws (GG).
- 9 Slide again the roller stoppers (E) and the support bar's anchors (D) onto the support bar (F). Then fix the support bar to the wall.
10. Fix the fixed panel (C) onto the support bar (F) using the brackets (G).
11. Secure the support bar (F) on their anchors using the provided hex screws. Install the aluminum profile (V) between the roller stopper and support bar's anchors.



# DOOR PANEL INSTALLATION

1. Install the 2 top rollers (H) on the door glass panel (J). Use a ratchet to strongly tighten the bolts.
2. Insert the door bottom seal strip (O) onto the door panel (J).
3. Gently hang the door panel by its 2 top rollers on the support bar (F) and make sure to place the bottom of the door inside the guide (Q).
- 4-6. Install the 2 glass panels seal strips (P). Install the 2 small seal rubber strips (L) onto the glass panels. Install the door's vertical seal strip (R) on the closing end.
7. Position the 2 roller stoppers (E) in order to block the door panel (J) from hitting the walls either when opening it or closing it. Use the Allen key to strongly secure the stoppers when their final position is found.
8. Install the 2 anti-jump pegs (I) on the door glass panel (J). Use a ratchet to strongly tighten the bolts.
9. Using silicone, install the decorative metal track (U) in front of the door panel. Slide the decorative end caps (T) onto the track.



# HANDLE INSTALLATION & SEALING

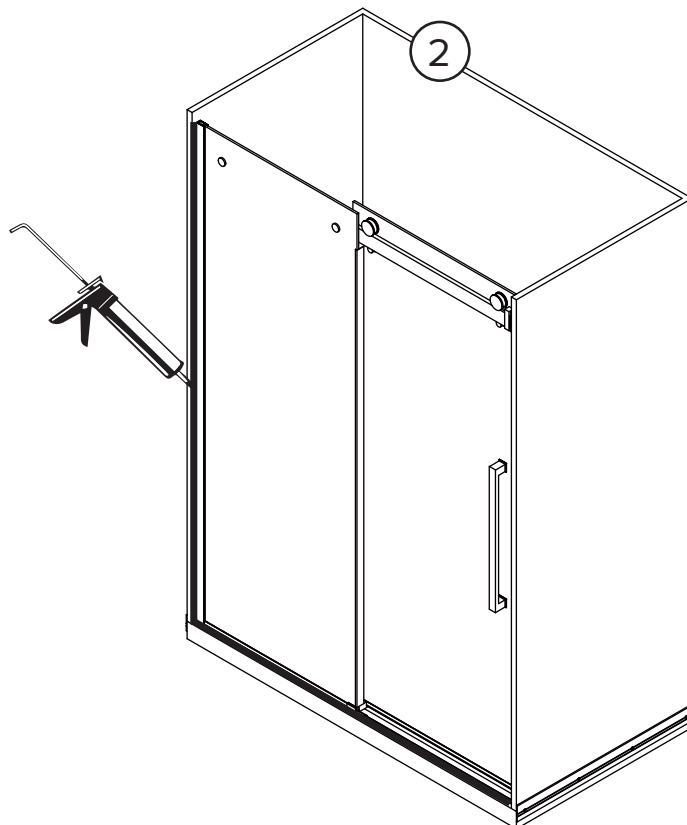
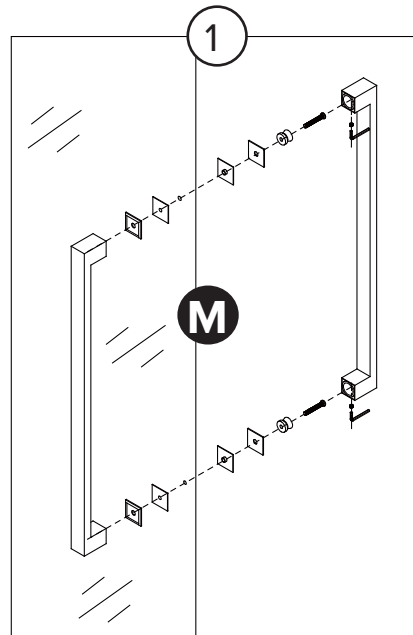
1. Install the door handle (M) on both sides using Allen keys.

2. Ensure that the door closes tightly and opens smoothly, and that there is a tight connection between the side glass panels and the frame as well as the support bar.

Apply a clear silicone water sealant around the outside perimeter of any fixed shower components (horizontally between bottom of fixed side glass panel and base, as well as vertically between the wall, glass frames, and any side glass panel).

Allow 24 hours for silicone to dry.

Improper application of silicone sealant may cause your shower to leak.



# MISENO

## LIMITED Product Warranty

---

**MISENO is a distributor of the following Products:**

- Shower Doors (warranty period 5 years).
- Acrylic Surfaces (warranty period 5 years against blistering, cracking or chipping in the acrylic surface).
- Acrylic Shell Structure (warranty period 5 years against loss of water through fiberglass laminate of the acrylic body).
- Shower Hardware (handles, hinges, rubber support clips, metal support bars and wall tracks) (warranty period 1 year against defects in materials or workmanship).

Limited Warranty: MISENO warrants to the original retail purchaser that within a reasonable time after notification from purchaser, MISENO will repair or replace the Product, or any part or component of the covered Product, distributed by MISENO which is proven to the satisfaction of MISENO to be defective in workmanship or materials, and which has failed during normal use and within the warranty period. This Limited Warranty does not apply to Products that have been damaged, or which fail, as a result of causes other than manufacturing defects (such as but not limited to improper installation; lack of or improper care or maintenance; exposure to elements including corrosive products, environments or water; alteration; abuse or misuse). This warranty does not cover damage to finishes. The warranty commences on the first date a Product is purchased by the customer. This warranty applies exclusively to products purchased and used in non-commercial applications.

Warranty Claim Procedure: To make a claim please call **1-855-480-2915** to trouble-shoot the issue and start the claim process, or email **infoservice@misenocom**. Products may be inspected or evaluated by MISENO and any Product or component found to meet the above warranty criteria will be repaired or replaced at MISENO's option. Replacement or repaired parts will be shipped at no cost to customer via ground freight only. Any expedited methods of shipments are customer's expense.

**DISCLAIMER AND EXCLUSION OF WARRANTIES: This warranty is meant to be a complete and exclusive statement of the terms of all limited warranties offered by MISENO.**

**To the fullest extent permitted by law, other than the express warranty set forth in this instrument there are NO WARRANTIES, EXPRESS OR IMPLIED, INCLUDING ANY IMPLIED WARRANTIES OF MERCHANTABILITY OR FITNESS FOR A PARTICULAR PURPOSE EXTENDED BY OVE.**

This warranty gives you specific legal rights. You may also have rights, which may vary under applicable state, provinces, or national legislation, which cannot be disclaimed or modified by the above Disclaimer. Except as permitted, the Disclaimer is not intended to waive, modify, release or limit the applicability of preemptive state, province, or national legislation inconsistent with the terms of this Limited Warranty and Disclaimer. However, to the extent permitted by law, no implied warranties of merchantability or fitness are intended or extended hereunder. Notwithstanding the Disclaimer if any implied warranty is imposed by operation of law, to the extent permitted, the duration of such implied warranties is limited to the shorter of the term of the express warranty or the applicable statute of limitations.

The Products listed above are intended to be installed and used for personal, consumer residential use. Use of Products for any other purpose such as commercial purposes voids this warranty. The Limited Warranty is applicable only to the Products listed herein, and no warranty is extended to products not distributed by MISENO. The warranty is applicable only to the first retail purchaser.

Transferability: This warranty is not transferrable.

**LIMITATION AND EXCLUSION OF REMEDIES AND DAMAGES: MISENO's sole responsibility under this Limited Warranty shall be to repair or replace, at its option, any defective Product or component. Purchaser agrees that this is the sole and exclusive remedy under this Limited Warranty. MISENO will not be responsible for any incidental, consequential, special or indirect damages, including loss of use as a result of any manufacturing defect in a Product. MISENO will not be responsible for labor, or any other fees associated with removal or installation of warranted parts. Some states, provinces, or national legislation do not allow the exclusion or limitation of incidental or consequential damages, so this limitation may not apply to you.**

Product modification: MISENO reserves the right to change, modify or improve the Products without obligation to incorporate such changes in Products previously sold or installed.

Authority and Modification: The retail seller is not the agent of MISENO and is not authorized to vary or modify the terms of the Limited Warranty. In addition, the retail seller cannot bind MISENO or make any representations or promises about the Product that are binding on MISENO.

## CARE AND MAINTENANCE

---

For the daily maintenance, use a wet cloth and a soft liquid cleaner.

Never use abrasive cleaners containing some acetone, chlorine or strong bleach, scrapers, metallic brushes, nor other objects or the products which can graze or tarnish surfaces.

Use a ratchet to strongly tighten any bolts used to support the fixed glass panels or doors panel (support bolts can withstand up to 250 lbf\*in of torque).

Check these bolts every 4 months and re-tighten them if necessary.