

SBU145382RT or ANI

MATERIAL- STEEL

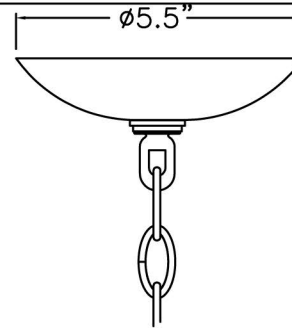
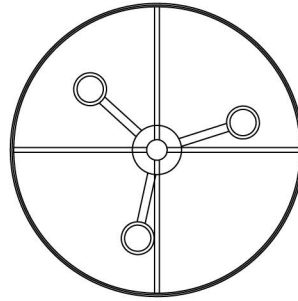
FINISH- RUST or ANTIQUE NICKEL

SOCKET- (3) E12 (CANDELABRA) BASE

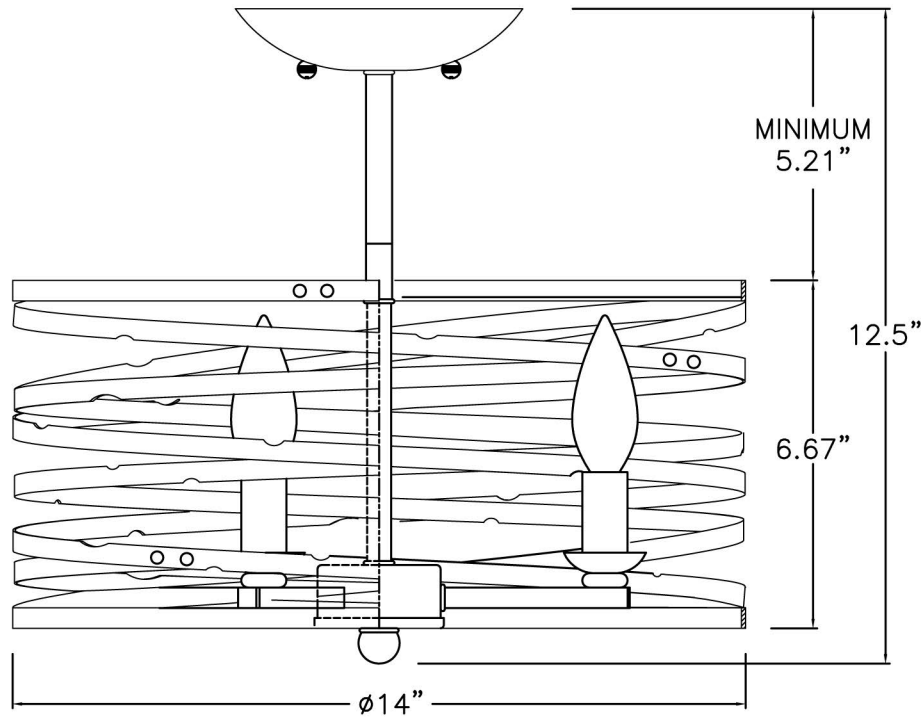
BULB- 60W B TYPE

MAX O.A. HEIGHT AS A PENDANT- 88" USING 72" OF CHAIN

MISENO



SEMI-FLUSH APPLICATION



PENDANT APPLICATION

