

**MISENO**  
— TAKE ME HOME —

# MNO3260WAW-R

Vitality 32"x 60" 3-Wall Alcove Whirlpool Bathtub - Right Drain



**62 GALLONS**

**10 WATER JETS**

**1.4HP MOTOR**

**120 VOLTS**

**1500W HEATER (OPTIONAL)**

**BCI2233351**

## Available Finishes



BISCUIT



WHITE

(MNO3260WAWRBS) (MNO3260WAWRWH)

## Features

- 62 gallon capacity
- 1.4Hp pump/motor
- 10 hydro jets
- Air on/off switch
- Hidden air induction valve
- Cast from high-gloss acrylic
- Reinforced fiberglass backing
- Pre-leveled self-leveling base
- Textured slip-resistant floor
- Integrated skirt
- Includes overflow drain trim kit
- Made in the USA

## Codes & Standards

- Specified to meet or exceed:
- IAPMO & ETL



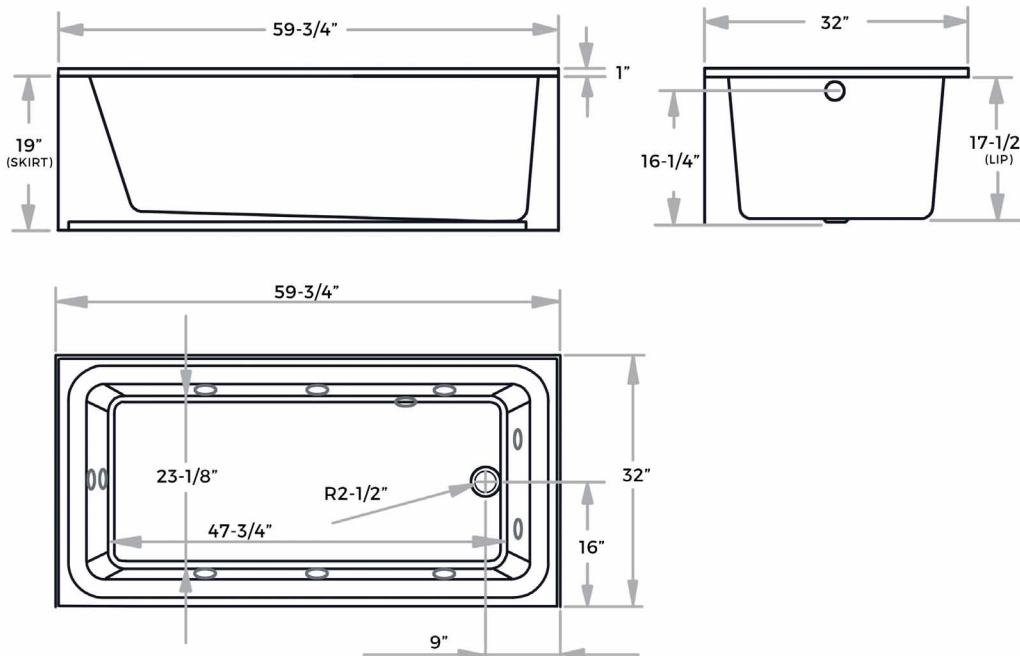
MADE IN



THE USA

**NOTICE:** MISENO TUBS ARE MADE TO ORDER. PLEASE ALLOW 2-4 WEEKS LEAD TIME.

## DIMENSIONS & MEASUREMENTS



## Specifications

- Overall Length: 59-3/4"
- Overall Width: 32"
- Overall Height: 19"
- Tub length: 47-3/4"
- Tub width: 23-1/8"
- Tub depth (to overflow): 16-1/4"
- Material: Cast acrylic
- Five year warranty
- Maximum capacity: 62 gallons
- Drain location: Right
- Voltage: 120V @ 7.5A

Optional heater (BCI2233351) requires a dedicated 120V 20A GFI circuit

## Installation Notes

- All dimensions and specifications are nominal and may vary +/- 1/4". Use actual products for accuracy in critical situations.

- Tub must be supported from the tub bottom and not the tub lip or stringers. Failure to do so will void warranty.