

MISENO
— TAKE ME HOME —

MNO3260WAA-R

Vitality 32"x 60" 3-Wall Alcove Air Massage Bathtub - Right Drain



62 GALLONS
65 AIR JETS
1HP BLOWER
200W HEATER
120 VOLTS

Available Finishes



BISCUIT

(MNO3260WAARBS)



WHITE

(MNO3260WAARWH)

Features

- 62 gallon capacity
- 1Hp blower with 200W heater
- Multi-speed controller
- 65 air jets with escutcheons
- Cast from high-gloss acrylic
- Reinforced fiberglass backing
- Pre-leveled self-leveling base
- Textured slip-resistant floor
- Integrated water barrier
- Integrated skirt
- Includes overflow drain trim kit
- Made in the USA

Codes & Standards

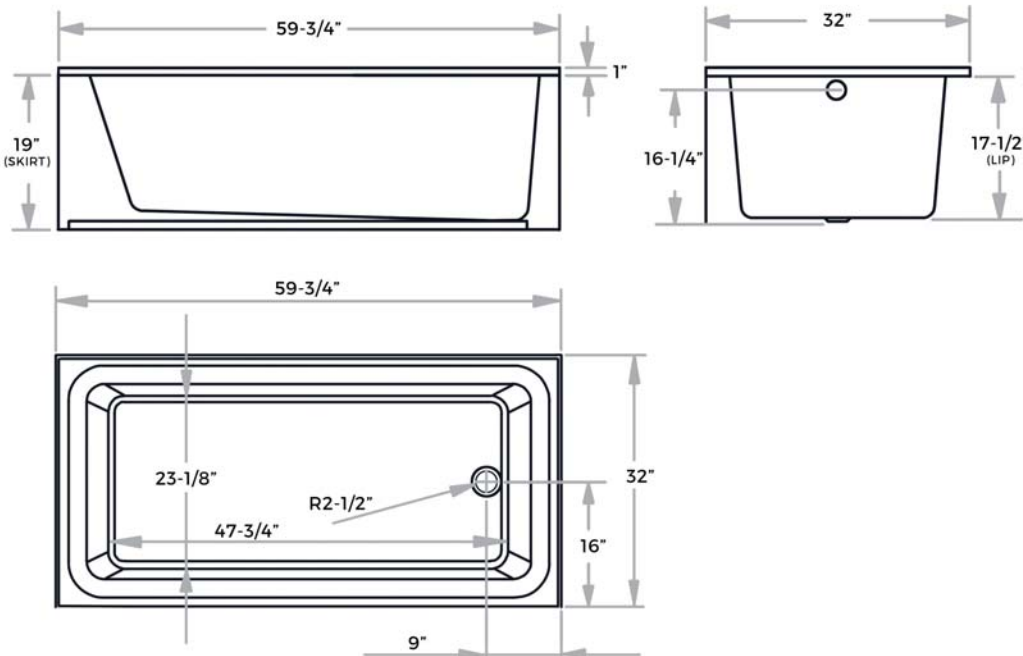
Specified to meet or exceed:
- IAPMO & ETL



MADE IN
 THE USA

NOTICE: MISENO TUBS ARE MADE TO ORDER. PLEASE ALLOW 2-4 WEEKS LEAD TIME.

DIMENSIONS & MEASUREMENTS



Specifications

- Overall length: 59-3/4"
- Overall width: 32"
- Overall height: 19"
- Tub length: 47-3/4"
- Tub depth (to overflow): 16-1/4"
- Tub depth (to lip): 17-1/2"
- Material: Cast acrylic
- Five year warranty
- Maximum capacity: 62 gallons
- Drain location: Right
- Voltage: 120V @ 1.7A
- Air line purge cycle: 20 minutes

Installation Notes

- All dimensions and specifications are nominal and may vary +/- 1/4". Use actual products for accuracy in critical situations.

- Tub must be supported from the tub bottom and not the tub lip or stringers. Failure to do so will void warranty.