



Available Finishes



BISCUIT

(MNO3260VASRBS)



WHITE

(MNO3260VASRWH)

Features

- 42 gallon capacity
- Cast from high-gloss acrylic
- Reinforced fiberglass backing
- Pre-leveled self-leveling base
- Textured slip-resistant floor
- Integrated water barrier
- Integrated skirt
- Right-hand drain location
- Includes overflow drain kit
- Made in the USA

Codes & Standards

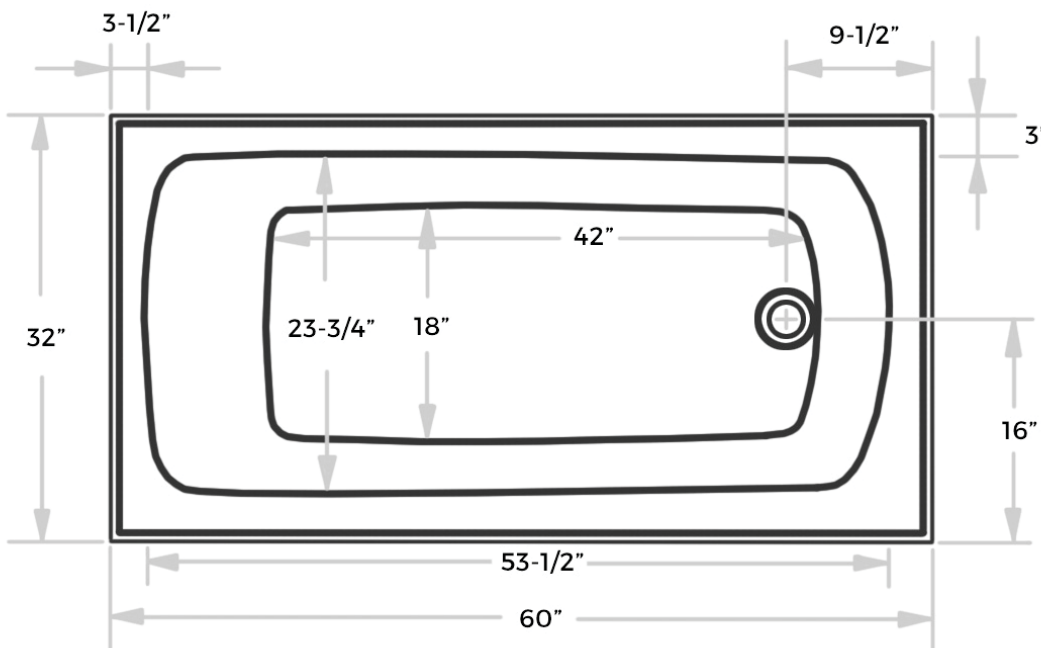
Specified to meet or exceed:
- IAPMO & ETL



Specifications

- Overall Length: 60"
- Overall Width: 32"
- Overall Height: 19"
- Tub length: 53-1/2"
- Tub width: 23-3/4"
- Tub depth (to overflow): 16-1/4"
- Material: Cast acrylic
- Two-year warranty
- Maximum capacity: 42 gallons
- Drain location: Right

DIMENSIONS & MEASUREMENTS



Installation Notes

- All dimensions and specifications are nominal and may vary +/- 1/4". Use actual products for accuracy in critical situations.

- Tub must be supported from the tub bottom and not the tub lip or stringers. Failure to do so will void warranty.