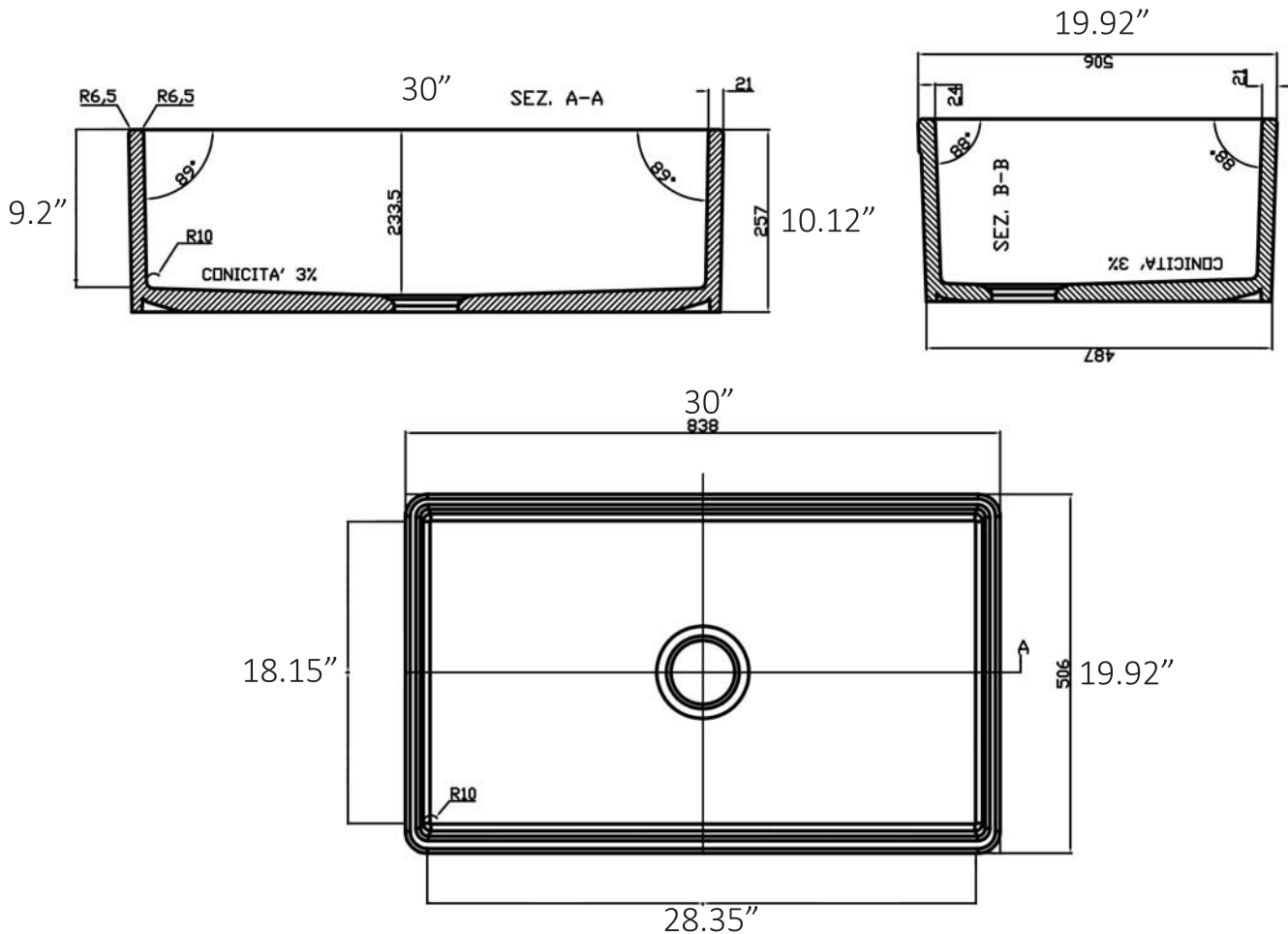
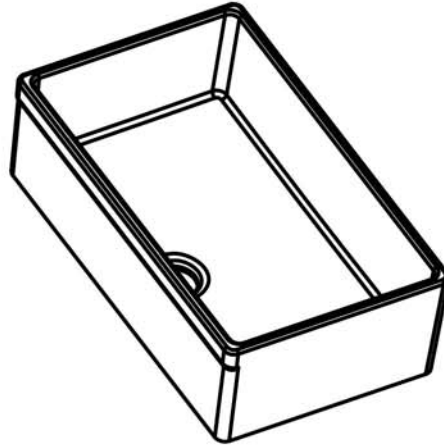


Fireclay Sink Model MNO3020FC



Features

- Beveled apron front design
- Fireclay construction
- Withstands heat up to 2700 degrees
- Glazed finish- withstands abrasions, acids and alkalis
- Suggested Cabinet Size: 30"
- Rear Drain Placement



Limited lifetime warranty. See complete warranty statement for details.
Miseno reserves the right to make specification changes without notice or obligation