

MISENO

— TAKE ME HOME —

Kitchen Faucet Model MK171



Polished Chrome: MK171-PC
Stainless Steel: MK171-SS

Features

- Ceramic disc cartridge
- Lever style handle
- Optional deck plate included
- Matching soap dispenser included
- Flow rate: 2.2 gal/min / 8.3 L/min max. @ 60 psi

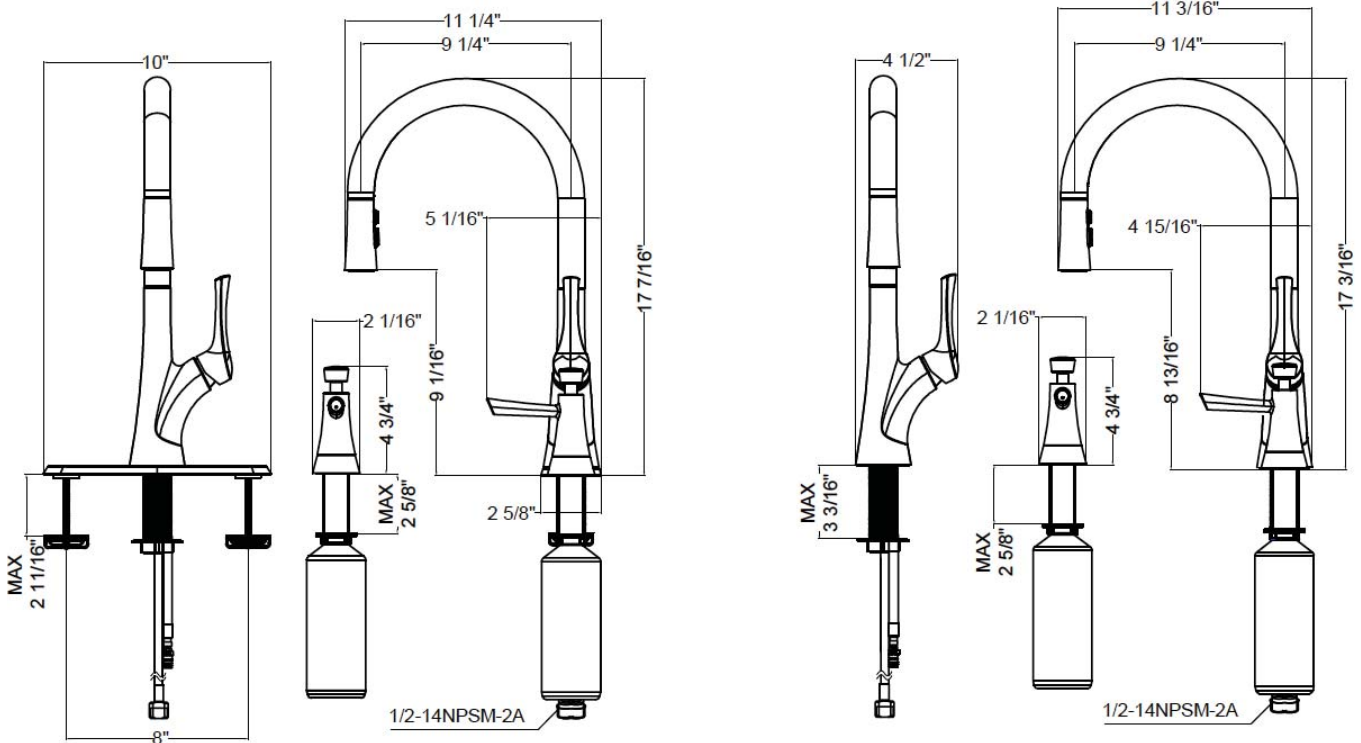
Codes and Standards

Specified model meets or exceeds:

- ASME A112.18.1 / CSA B125.1
- NSF 61 Section 9
- IAPMO / UPC listed
- AB1953 low lead
- ADA compliance to ANSI A117.1

Installation Notes

- Requires 1-1/4" min. to 1-3/4" max. hole diameter
- Mounts in 1, 2, 3 or 4 holes
- Mounts with or without deck plate
- Maximum deck thickness: 2-5/8"
- 16" supply hoses with 1/2" male NPSM connections



With Escutcheon

Without Escutcheon

Limited lifetime warranty. See complete warranty statement for details.
Misenore reserves the right to make specification changes without notice or obligation

For additional assistance or service call: 1-855-480-2915 or visit our website www.miseno.com