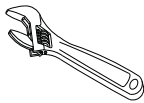


# MISENO

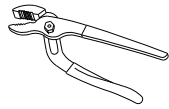
## MN0621A

Single-Handle Pull-Down Kitchen Faucet

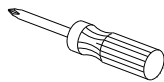
### TOOLS YOU WILL NEED



Adjustable wrench



Groove joint plier



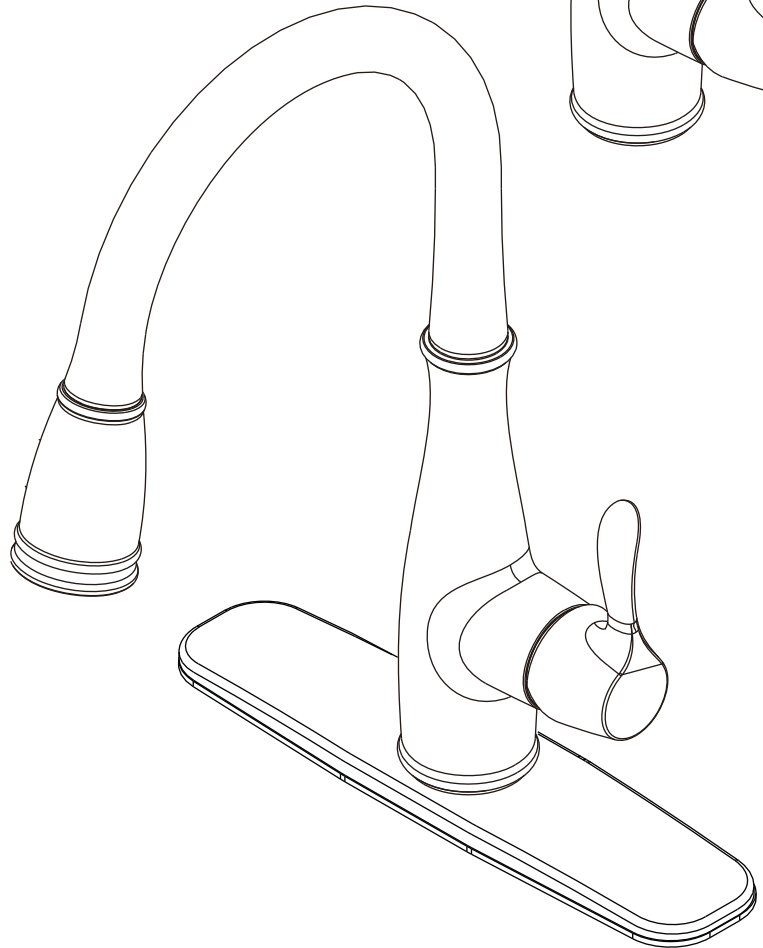
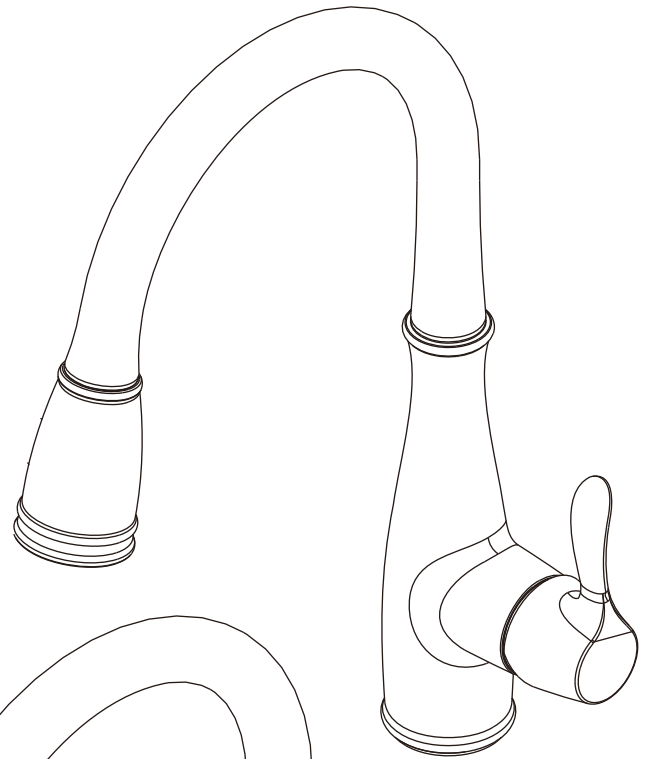
Phillips screwdriver



Silicone Sealant



Pipe tape



### SAFETY TIPS

- Cover your drain to avoid losing parts.
- The fittings should be installed by a licensed plumber in your State.
- When installing flexible hose, Please note there should be no torsion or deformation; do not fold into Shape V or L; do not use if there are any cracks or deformation

## Questions, problems, missing parts?

Before returning to your retailer, please contact Customer Service at 1-855-480-2915 or [infoservice@miseno.com](mailto:infoservice@miseno.com)

### BEFORE INSTALLATION:

If you contact Customer Service, you will need the Model#, Serial Number and Date Code. Please locate the Product ID tag and Serial number tag. Please record the serial number and date code here BEFORE YOU INSTALL:

Serial Number \_\_\_\_\_ Date Code \_\_\_\_\_  
Please attach your receipt for proof of purchase.

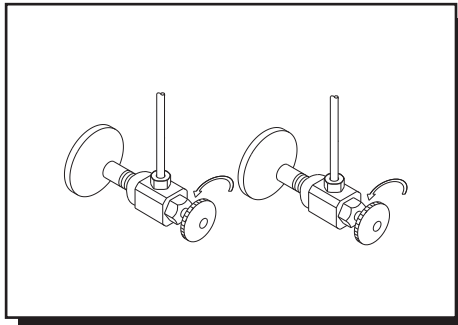
Model  
MN0621 CP/SS/ORB

## FAUCET INSTALLATION PROCEDURE

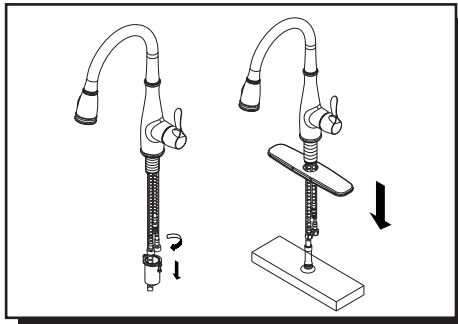
To avoid over tightening inlet port to spout shank, use a second wrench to prevent inlet port from turning while attaching water hose, as seen in diagram.



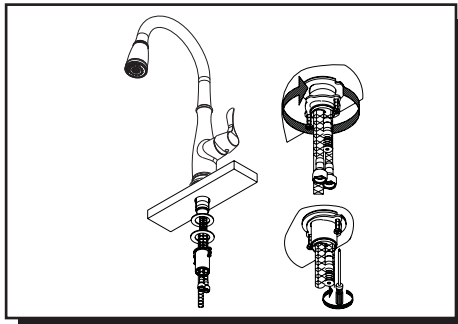
### CAUTION SHUT OFF MAIN WATER SUPPLIES BEFORE INSTALLATION



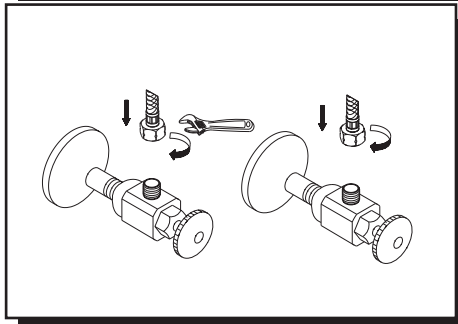
1. Shut off water supplies. Remove old faucet. Clean sink surface in preparation for new faucet.



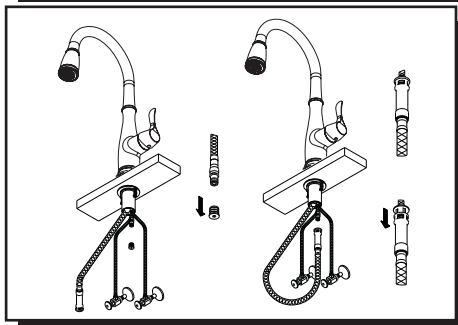
2. Remove locknut and install faucet through center hole.



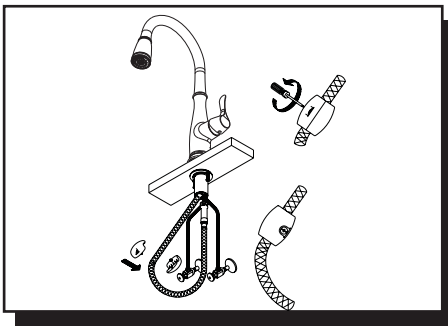
3. Unscrew screws on lock nut. Slide rubber washer and metal washer onto shank. Secure shank with locknut.



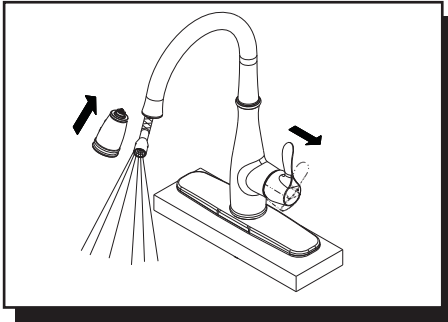
4. Apply pipe tape onto threads of the copper inlet tube.



5. Remove the plastic seal cover from the outlet port prior to pushing the hose adapter onto the same port. You will hear a "click" sound once they are joined properly.



6. Locate lowest point of the hose on the spout side and attach the rubber-coated weight.



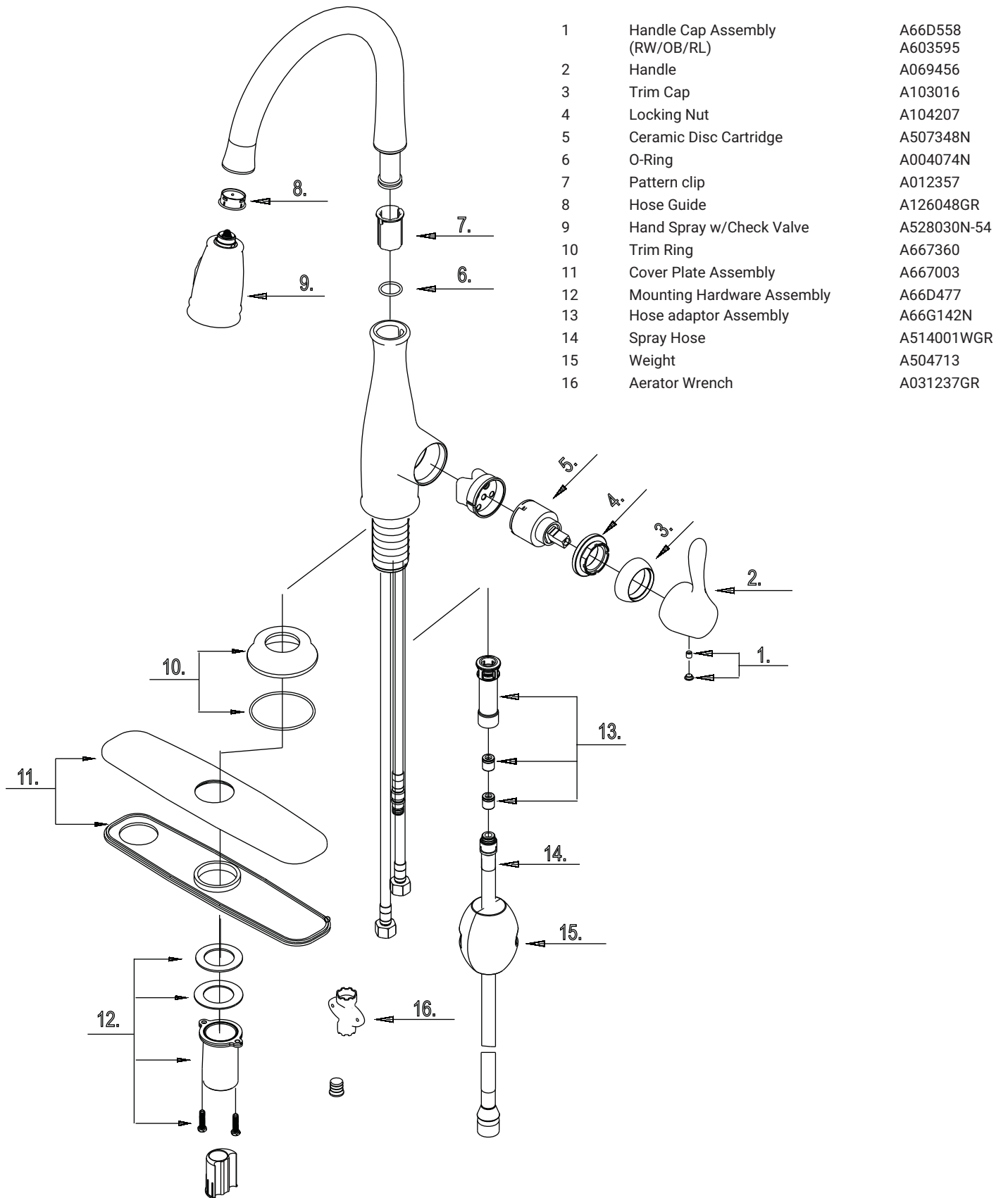
7. After installing faucet, remove the aerator and turn on water to remove any leftover debris. Then reassemble the aerator.

## TROUBLESHOOTING

If you've followed the instructions carefully and your faucet still does not work properly, take these corrective steps.

Problem	Cause	Action
Leaks underneath handle.	Locking nut has come loose. O-ring on cartridge is dirty or damaged.	Tighten the locking nut. Clean or replace O-ring.
Hose does not retract.	Metal weight is not installed in the appropriate position.	Reinstall rubber weight (step 6).
There are leaks from the hose underneath the deck.	Hose and spray head connection may be loose.	Tighten the connection between the spray head and hose.

# REPLACEMENT PARTS



**Maintenance** Your new faucet is designed for years of trouble-free performance. Keep it looking new by cleaning it periodically with a soft cloth. Avoid abrasive cleaners, steel wool and harsh chemicals as these will dull the finish and void your warranty.