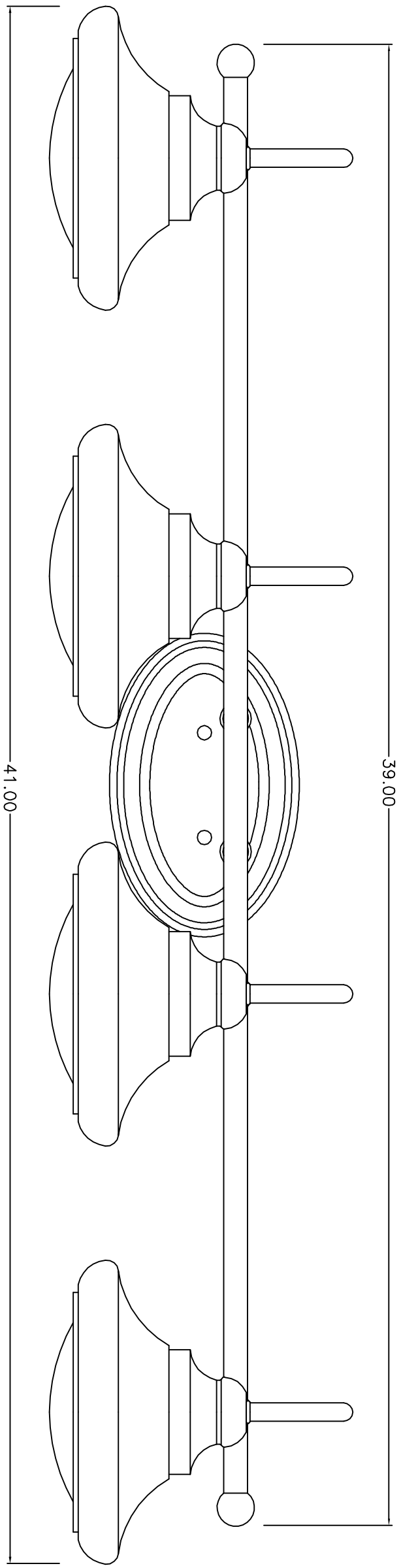


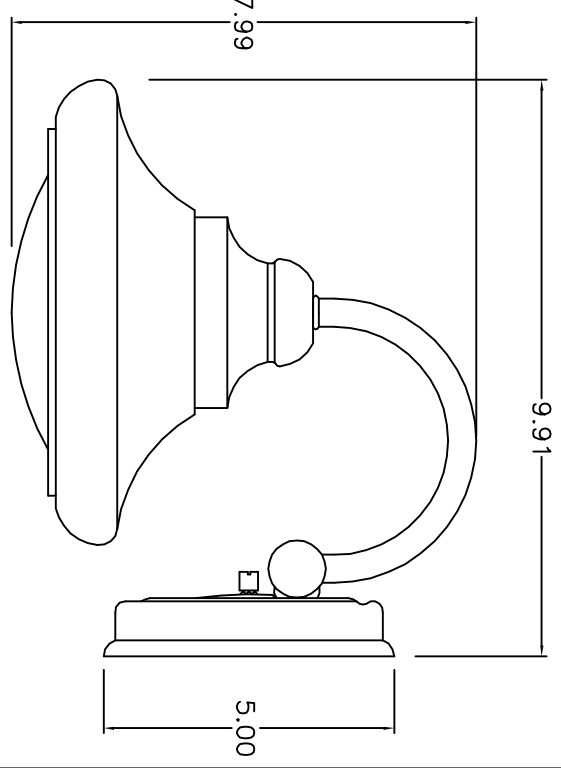
8.00

SBU138103CH OR NI OR ORZ
 MATERIAL- STEEL
 FINISH- CHROME OR BRUSHED NICKEL OR OIL RUBBED BRONZE
 GLASS- ETCHED OPAL
 SOCKET- (4) E26 (MEDIUM) BASE
 BULB- 60W A15 TYPE



39.00

41.00



9.91

7.99

5.00