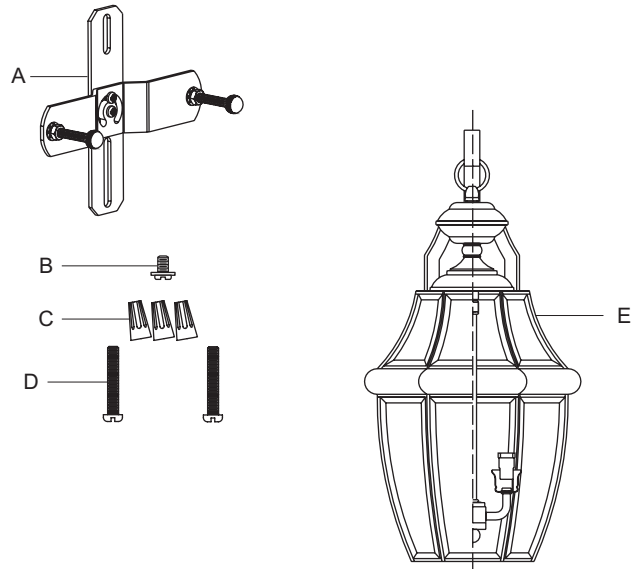


PACKAGE CONTENTS

ISSUED 12-2014

UM-TST2907C

PART	DESCRIPTION	QUANTITY
A	Crossbar Assembly (Pre-assembled to fixture body)	1 pc
B	Green Ground Screw (Pre-assembled to Crossbar)	1 pc
C	Wire Connector	3 pcs
D	Outlet Box Screw	2 pcs
E	Fixture Body	1 pc



! WARNINGS AND CAUTIONS

WARNING:

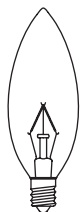
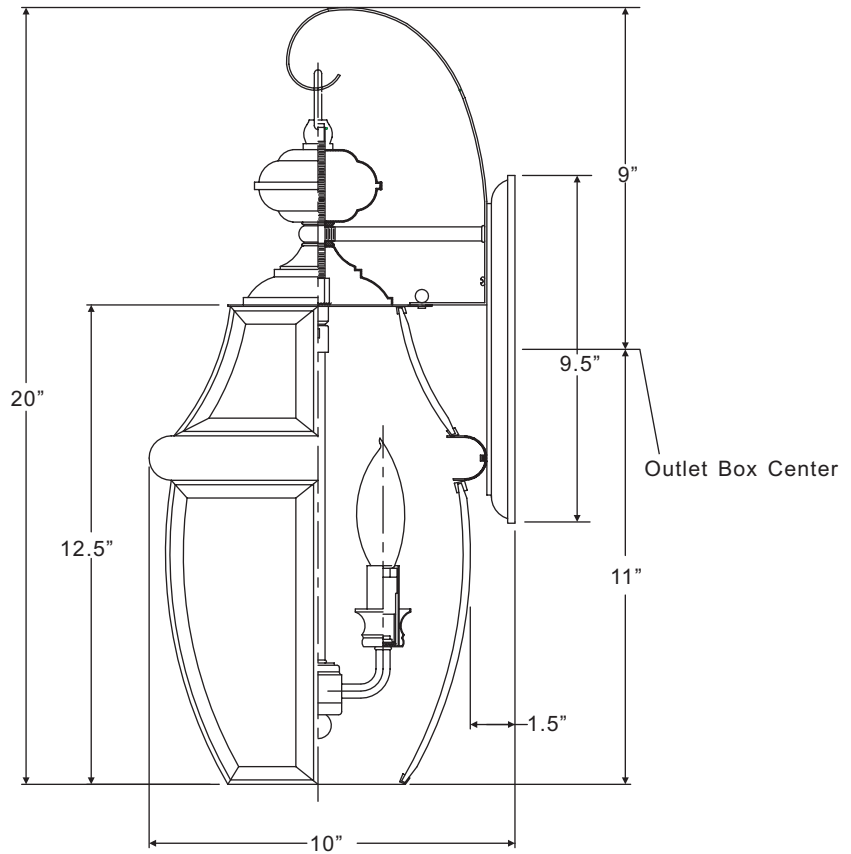
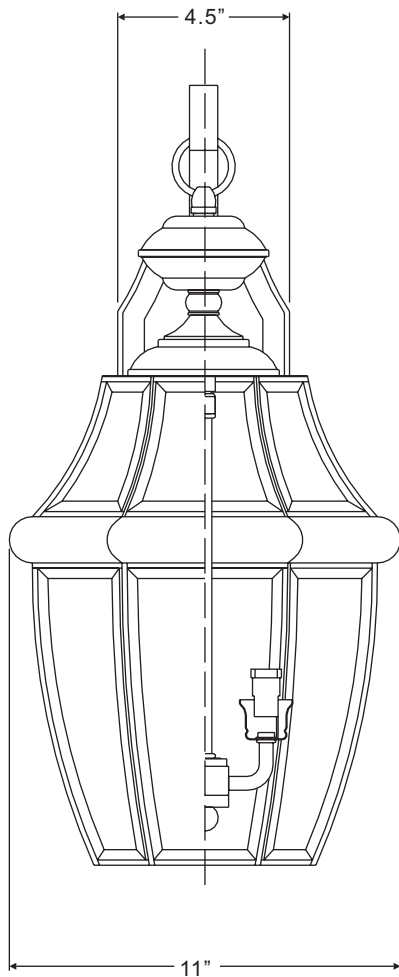
- Before beginning the installation, turn off electricity at the circuit breaker box or the main fuse box by switching off the circuit breaker or removing the fuse.

CAUTION:

- These instructions are provided for your safety. It is very important that they are read completely before the installation of your fixture. We strongly recommend that a professional electrician install the fixture.
- Disconnect fixture from the power source before replacing the bulb(s), making sure that bulb(s) had sufficient time to cool down. DO NOT subject the lamp to any shock while lit as shattering of lamp may result.
- Do not touch the bulb with bare hands use a cloth or glove.

PREPARATION

- Before beginning installation of product, make sure all parts are present. Compare parts with package contents list and diagram above. If any part is missing or damaged, do not attempt to assemble, install or operate the product. Contact customer service for replacement part.
- Estimated Assembly Time: 20 - 30 minutes
- **Bulb Recommended:** (2) Candelabra Base 60W Maximum, Alternate (2) CFL bulb.
- **Tools Required:** Flathead screwdriver, Phillips screwdriver, pliers, wire cutters, wire strippers, electrical tape, safety glasses.



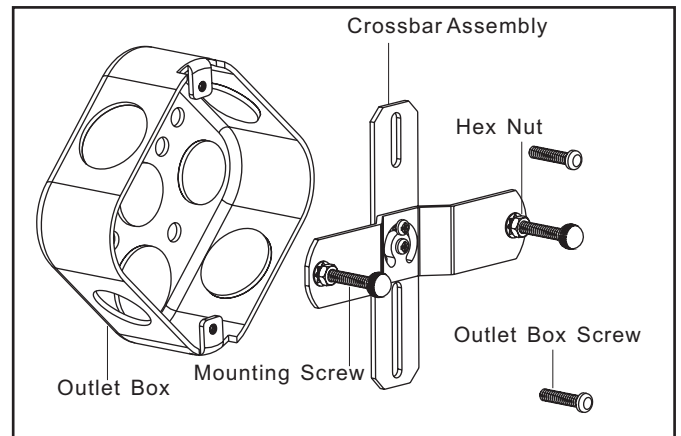
(2) 60W Candelabra
base bulbs
(not Supplied)

NOTE: ALL DIMENSIONS ARE ROUNDED UP TO THE NEAREST 1/2"

INSTALLATION INSTRUCTIONS

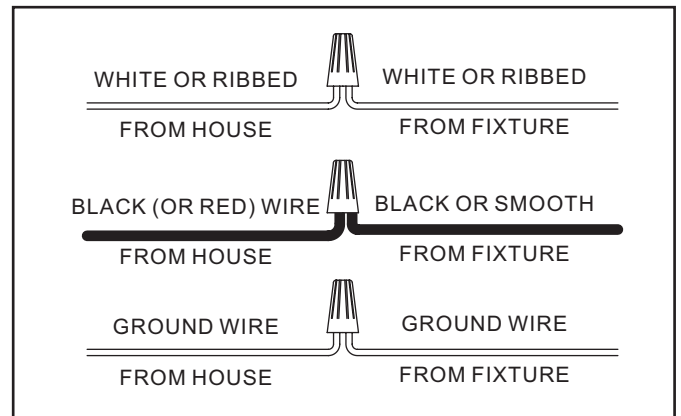
STEP 1:

- Remove the Crossbar Assembly from the Backplate on the Fixture Body as shown in STEP 3.
- Secure the Crossbar Assembly to the Outlet Box with Outlet Box Screws.
- Temporarily attach the backplate to the mounting screws on the Crossbar, securing with the mounting balls. If the backplate is not snug against the wall, remove it from the crossbar and adjust the length of the mounting screws by unscrewing the hex nuts. Turn the screws in or out of the crossbar until the correct length is achieved, then re-attach the backplate. Once the backplate is secure, remove mounting balls and backplate as shown in STEP 3.



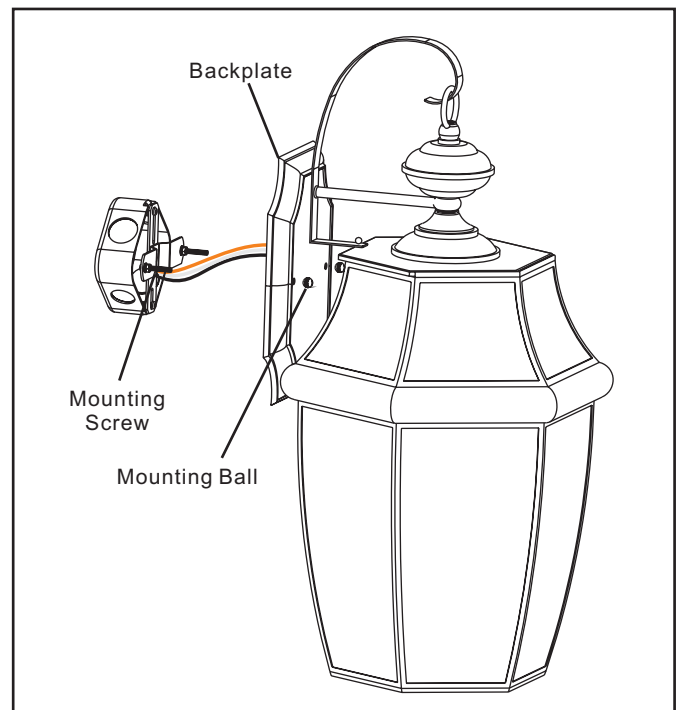
STEP 2:

- ★ Use Wire Connectors to connect the wires.
- Connect the House Ground Wire to the Fixture Ground Wire.
 - Connect the House White (or Ribbed) Wire to the Fixture Supply Wire (White or Ribbed Side).
 - Connect the House Black (or Red) Wire to the Fixture Supply Wire (Black or Smooth Side).
 - Wrap each connection with approved electrical tape and carefully stuff all of the connected wires into the Outlet Box.



STEP 3:

- Carefully tuck all wires into the outlet box and position the backplate of the Fixture Body over the outlet box. Align the holes in the backplate of the Fixture Body with the mounting screws attached to the crossbar. Pass the fixture over the mounting screws and secure by threading mounting balls onto end of mounting screws. Tighten until snug.



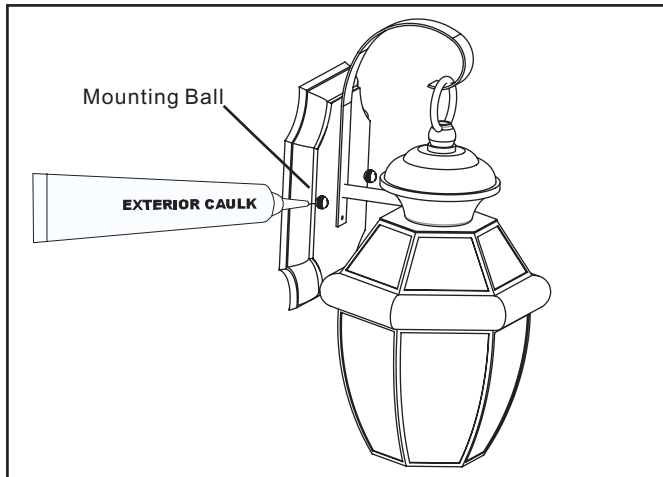
INSTALLATION INSTRUCTIONS

STEP 4:

- This fixture uses standard bulb with a candelabra screw base. Maximum 60 watts.
- Insert bulb through bottom of fixture and screw snugly into place.

STEP 5:

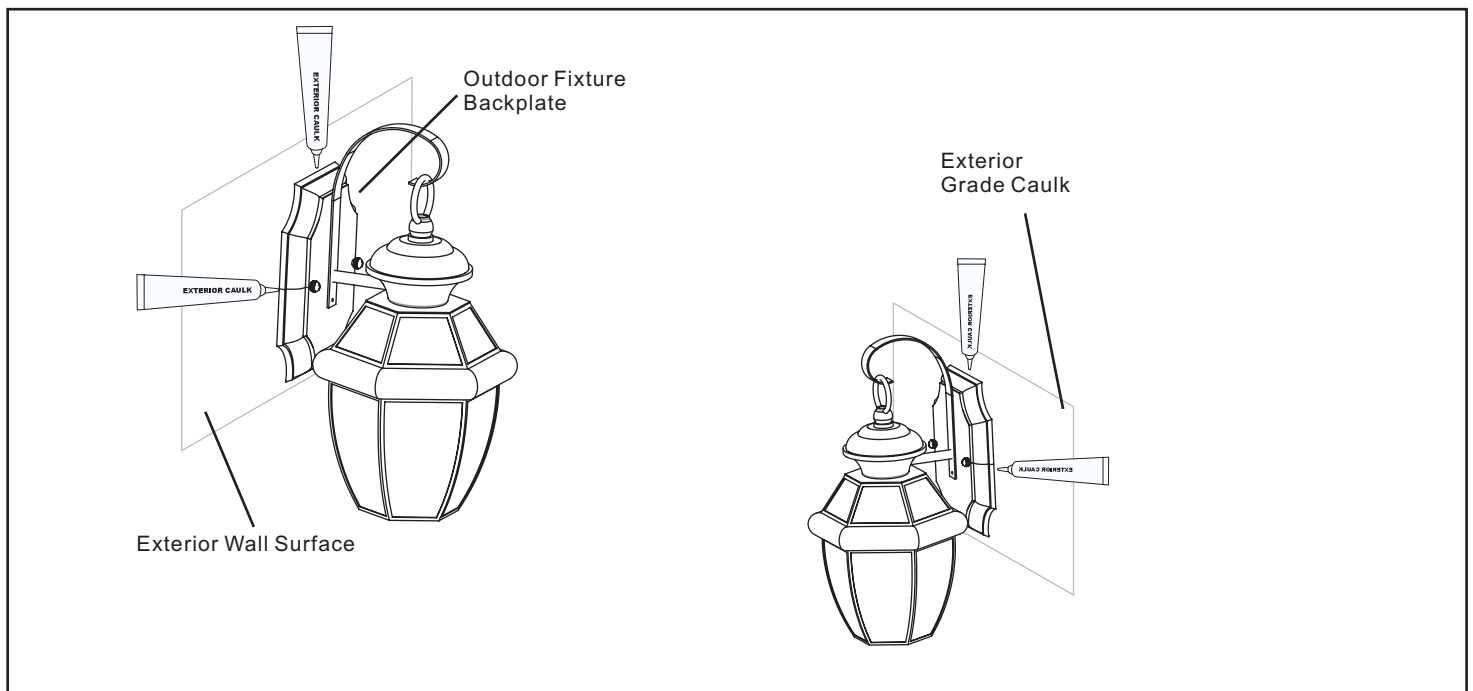
- Refer to the following information for caulking instructions:



The MOUNTING BALLS require a small amount of silicone sealer to the threaded side, and then re-attach to the MOUNTING SCREWS.

With the OUTDOOR FIXTURE properly installed in accordance with supplied Assembly/installation instructions, proceed with caulking instructions below.

Note: Be sure EXTERIOR WALL SURFACE and FIXTURE BACKPLATE are free of dirt before caulking. Using EXTERIOR GRADE CAULK, start on one side of FIXTURE BACKPLATE and follow contour, where the FIXTURE BACKPLATE meets the EXTERIOR WALL SURFACE upward. Proceed to caulk over top of backplate and down other side. **DO NOT CAULK BOTTOM OF FIXTURE BACKPLATE** to ensure proper moisture drainage.



Your installation is completed now. Restore electricity. Retain this sheet for future reference.