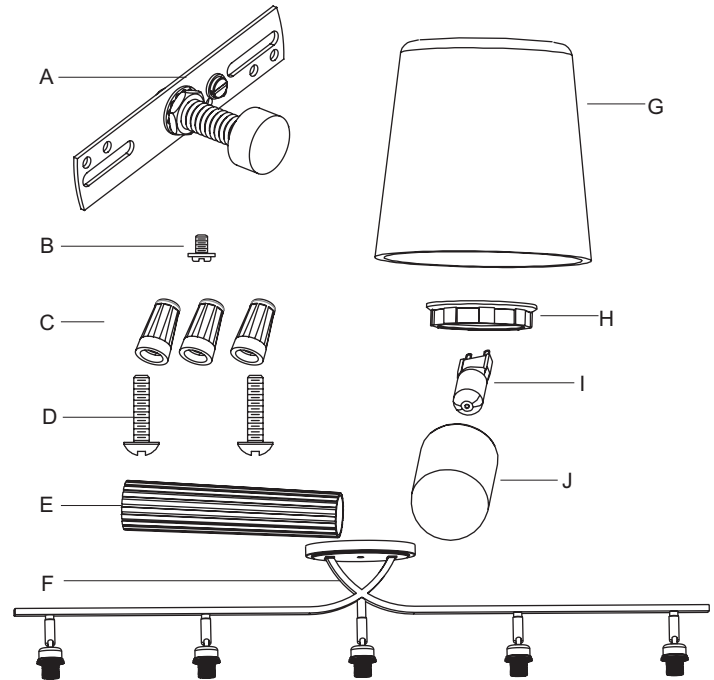


## PACKAGE CONTENTS

ISSUED 09-2014

UM-TST0038Q

PART	DESCRIPTION	QUANTITY
A	Crossbar Assembly	1 pc
B	Green Ground Screw (Pre-assembled to Crossbar)	1 pc
C	Wire Connector	3 pcs
D	Outlet Box Screw	2 pcs
E	Socket Collar Tool	1 pc
F	Socket Assembly	1 pc
G	Shade	5 pcs
H	Socket Collar (Pre-assembled to Socket Assembly)	5 pcs
I	Bulb	5 pcs
J	Bulb Shield	5 pcs



## ! WARNINGS AND CAUTIONS

### WARNING:

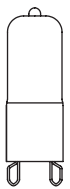
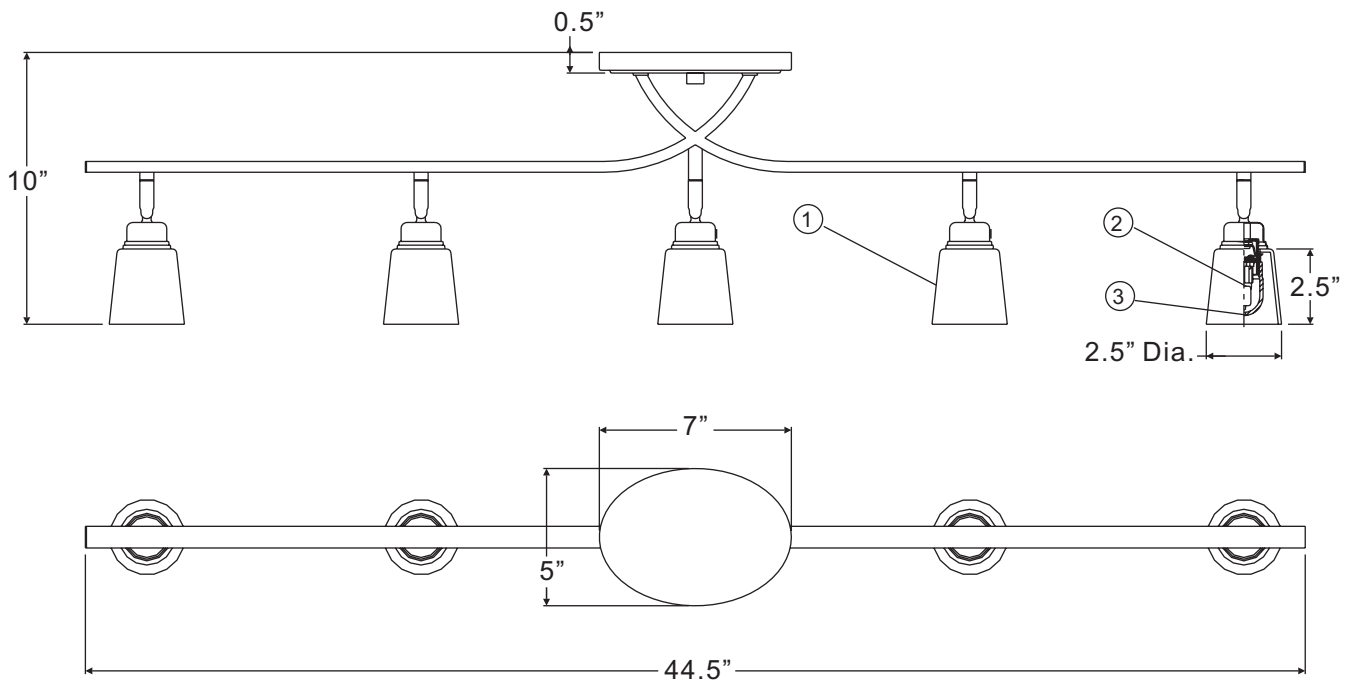
- Before beginning the installation, turn off electricity at the circuit breaker box or the main fuse box by switching off the circuit breaker or removing the fuse.

### CAUTION:

- These instructions are provided for your safety. It is very important that they are read completely before the installation of your fixture. We strongly recommend that a professional electrician install the fixture.
- Disconnect fixture from the power source before replacing the bulb(s), making sure that bulb(s) had sufficient time to cool down. DO NOT subject the lamp to any shock while lit as shattering of lamp may result.
- Do not touch the bulb with bare hands use a cloth or glove.

## PREPARATION

- Before beginning installation of product, make sure all parts are present. Compare parts with package contents list and diagram above. If any part is missing or damaged, do not attempt to assemble, install or operate the product. Contact customer service for replacement part.
- Estimated Assembly Time: 20 - 30 minutes
- **Bulb Recommended:** (5) Clear G9 Halogen Bulbs 60W Maximum (Supplied).
- **Tools Required:** Flathead screwdriver, Phillips screwdriver, pliers, wire cutters, wire Strippers, electrical tape, safety glasses.



(5)60W Clear  
G9 Halogen Bulbs  
(Supplied)

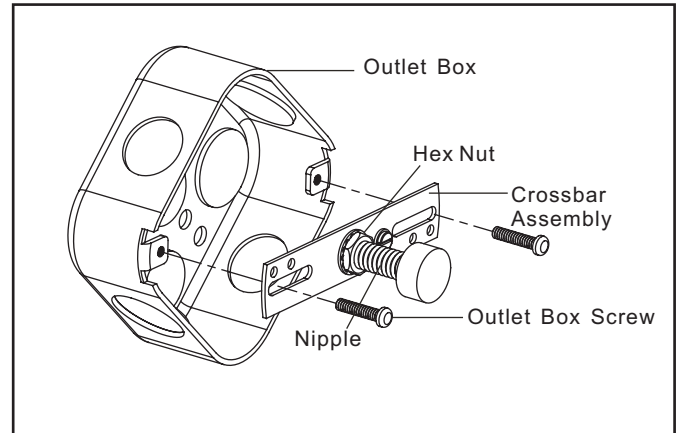
NOTE: ALL DIMENSIONS ARE ROUNDED UP TO THE NEAREST 1/2"

NO.	PART NUMBER	REPLACEMENT PART DESCRIPTION	REQ.
1	G2684SH	SHADE OPAL ETCHED GLASS 3"D X 3"H	5
2	I826SC	BULB 60W HALOGEN G9 CLEAR	5
3	G2685BS	BULB SHIELD GLASS 1.4"D X 1.8"H	5

## INSTALLATION INSTRUCTIONS

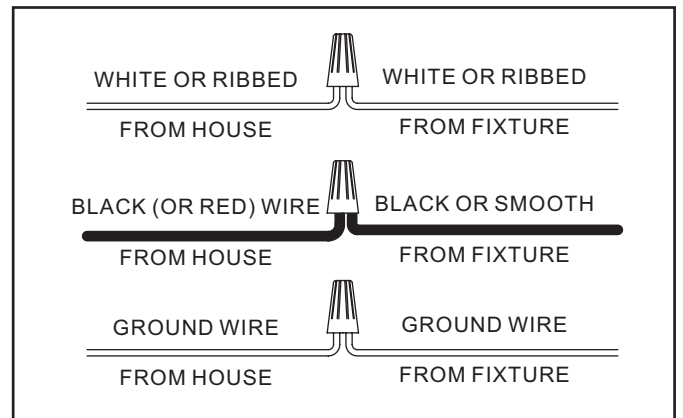
### STEP 1:

- a. Secure the Crossbar to the Outlet Box with Outlet Box Screws.
- b. Temporarily attach the Ceiling Canopy to the Nipple on the Crossbar, securing with the Finial. If the Ceiling Canopy is not snug against the ceiling, remove it from the crossbar and adjust the length of the Nipple by unscrewing the hex nuts. Turn the Nipple in or out of the crossbar until the correct length is achieved, then re-attach the Ceiling Canopy. Once the Ceiling Canopy is secure, remove Finial and Ceiling Canopy.



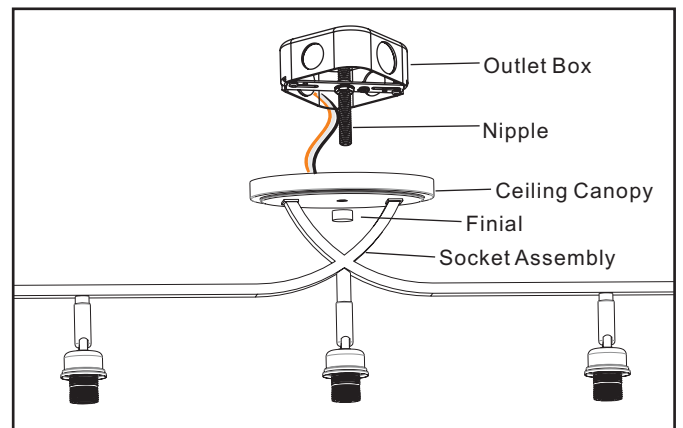
### STEP 2:

- ★ Use Wire Connectors to connect the wires.
- a. Connect the House Ground Wire to the Fixture Ground Wire.
  - b. Connect the House White (or Ribbed) Wire to the Fixture Supply Wire (White or Ribbed Side).
  - c. Connect the House Black (or Red) Wire to the Fixture Supply Wire (Black or Smooth Side).
  - d. Wrap each connection with approved electrical tape and carefully stuff all of the connected wires into the Outlet Box.



### STEP 3:

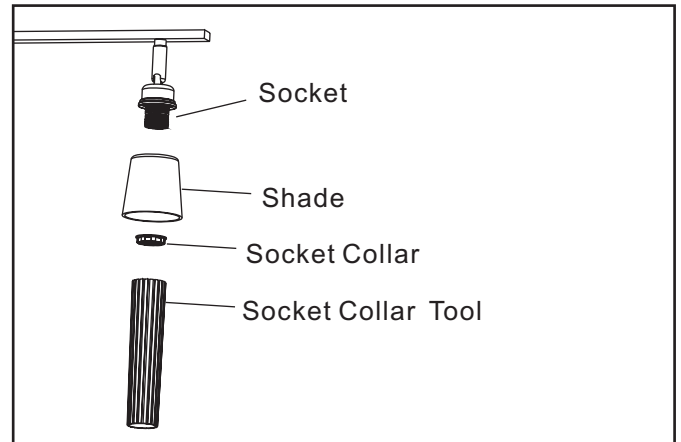
- a. Carefully tuck all wires into the outlet box and position the Ceiling Canopy of the Socket Assembly over the outlet box. Align the holes in the Ceiling Canopy of the Socket Assembly with the Nipple attached to the crossbar. Pass the fixture over the Nipple and secure by threading Finial onto end of Nipple. Tighten until snug.



## INSTALLATION INSTRUCTIONS

### STEP 4:

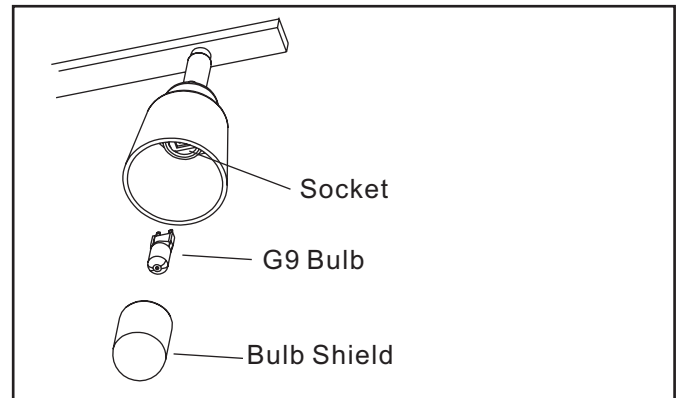
- A. Remove the Socket Collar from the Socket on the Socket Assembly. Place the Shade over the Socket as shown. Use the Socket Collar Tool, thread the Socket Collar onto the Socket to secure the Shade. Hand tighten until snug.



### STEP 5

- a. This fixture uses Clear G9 Halogen Bulbs. Maximum 60 watts (supplied).  
b. Insert bulb and sit properly into place.  
c. Screw Bulb Shield onto the Socket and hand tighten until snug.

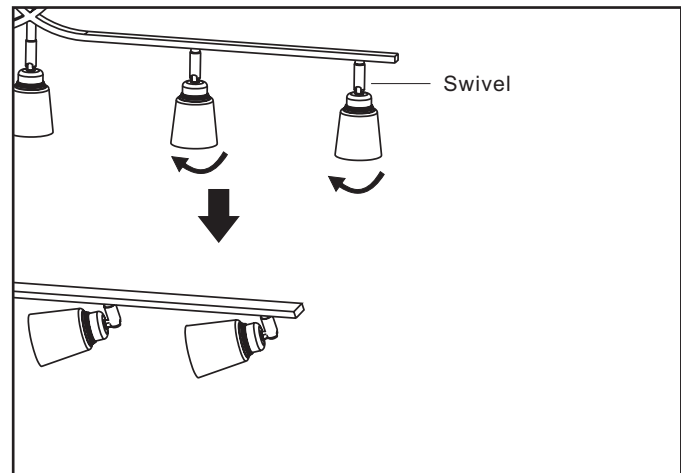
**IMPORTANT:** Do not touch the bulb with bare hands use a cloth or glove.



### STEP 6:

- a. Adjust the Shade to your desired location by adjusting the Swivel.

Your installation is completed now. Restore electricity. Retain this sheet for future reference.



## CAUTION FOR BULB REPLACING

- A. When replacing bulb, turn off power and allow lamp to cool. For safety purpose, wear gloves and eye protection.  
B. If bulb is scratched or cracked, DO NOT use the lamp to avoid breakage during use or installation.  
C. Use only in fixtures rated for lamps wattage and voltage.  
D. Lamp operate under high pressure generating intense heat. Prevent contact with liquid and combustible materials.