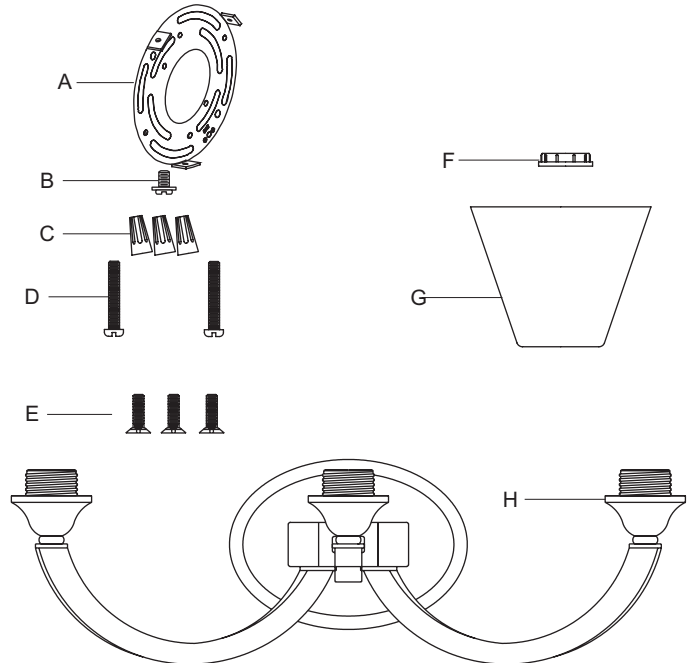


PACKAGE CONTENTS

ISSUED 05-2014

UM-TST0038C2

PART	DESCRIPTION	QUANTITY
A	Crossbar (Pre-assembled to fixture body)	1 pc
B	Green Ground Screw (Pre-assembled to Crossbar)	1 pc
C	Wire Connector	3 pcs
D	Outlet Box Screw	2 pcs
E	Mounting Screw (Pre-assembled to fixture body)	3 pcs
F	Socket Collar (Pre-assembled to fixture body)	3 pcs
G	Shade	3 pcs
H	Fixture Body	1 pc



WARNINGS AND CAUTIONS

WARNING:

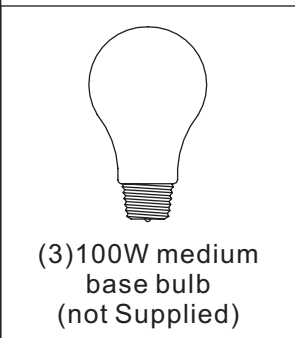
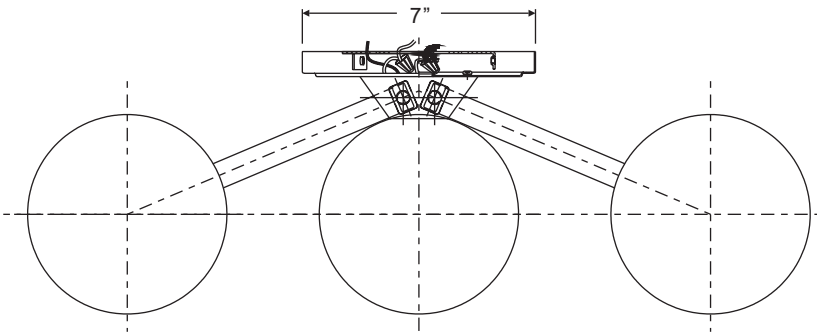
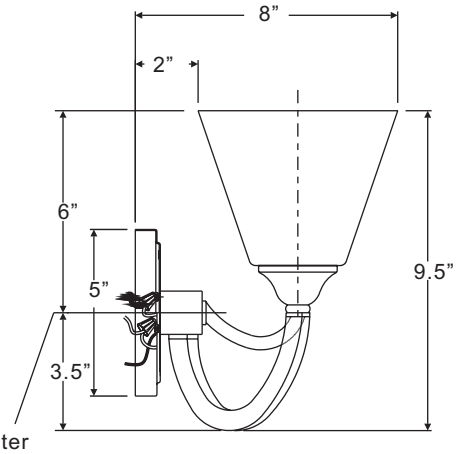
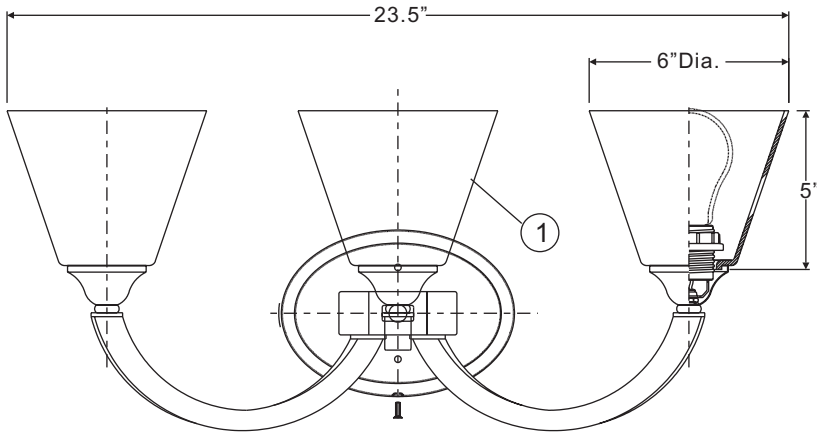
- Before beginning the installation, turn off electricity at the circuit breaker box or the main fuse box by switching off the circuit breaker or removing the fuse.

CAUTION:

- These instructions are provided for your safety. It is very important that they are read completely before the installation of your fixture. We strongly recommend that a professional electrician install the fixture.
- Disconnect fixture from the power source before replacing the bulb(s), making sure that bulb(s) had sufficient time to cool down. DO NOT subject the lamp to any shock while lit as shattering of lamp may result.
- Do not touch the bulb with bare hands use a cloth or glove.

PREPARATION

- Before beginning installation of product, make sure all parts are present. Compare parts with package contents list and diagram above. If any part is missing or damaged, do not attempt to assemble, install or operate the product. Contact customer service for replacement part.
- Estimated Assembly Time: 20 - 30 minutes
- **Bulb Recommended:** (3) 100W Type-A medium base bulbs, Alternate (3) CFL bulb.
- **Tools Required:** Flathead screwdriver, Phillips screwdriver, pliers, wire cutters, wire strippers, electrical tape, safety glasses.



NOTE: ALL DIMENSIONS ARE ROUNDED UP TO THE NEAREST 1/2"

NO.	PART NUMBER	REPLACEMENT PART DESCRIPTION	REQ.
1	G1987SH	SHADE OPAL ETCHED 6"D	3

INSTALLATION INSTRUCTIONS

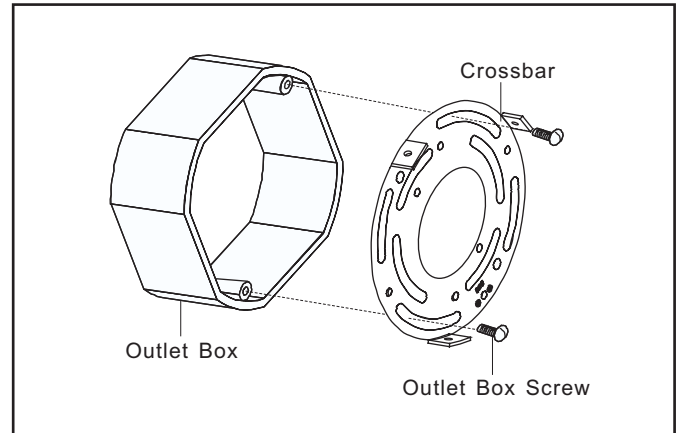
STEP 1:

Note: Prior to installation, close or cover the sink drain and/or any vents near the installation site to prevent loss of mounting hardware if dropped.

- Remove the Crossbar from the Backplate on the Fixture Body as shown in STEP 3.
- Secure the Crossbar to the outlet box (not included) with Outlet Box Screws.

Note: Fixture Body can be installed with the sockets facing either up or down. The Crossbar should be adjusted accordingly to match the holes on the backplate of the Fixture Body.

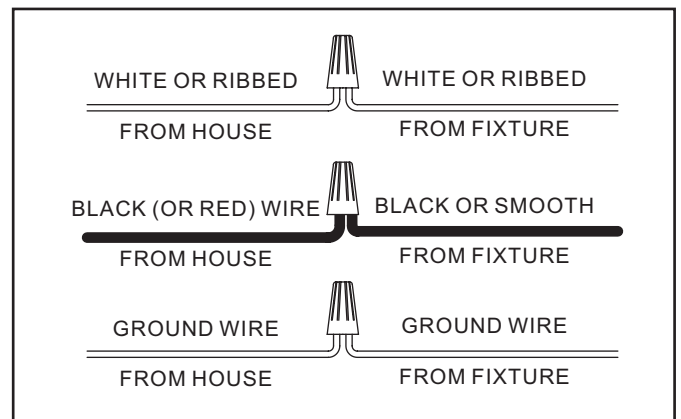
Note: Prior to installation, place a towel or thick cloth under the installation site to prevent loss of mounting hardware if dropped.



STEP 2:

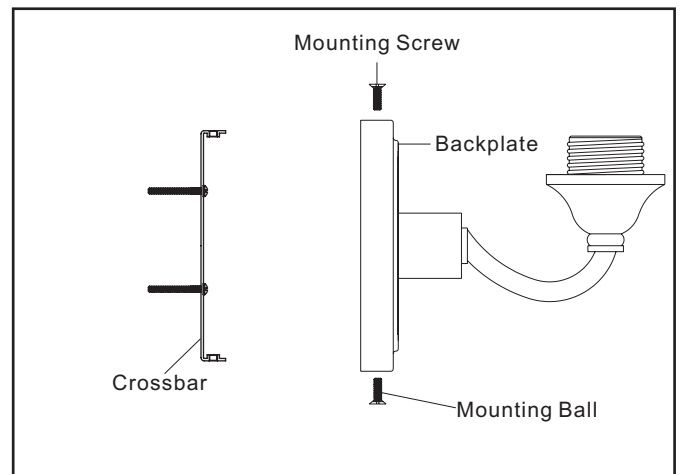
★ Use Wire Connectors to connect the wires.

- Connect the House Ground Wire to the Fixture Ground Wire.
- Connect the House White (or Ribbed) Wire to the Fixture Supply Wire (White or Ribbed Side).
- Connect the House Black (or Red) Wire to the Fixture Supply Wire (Black or Smooth Side).
- Wrap each connection with approved electrical tape and carefully stuff all of the connected wires into the Outlet Box.



STEP 3:

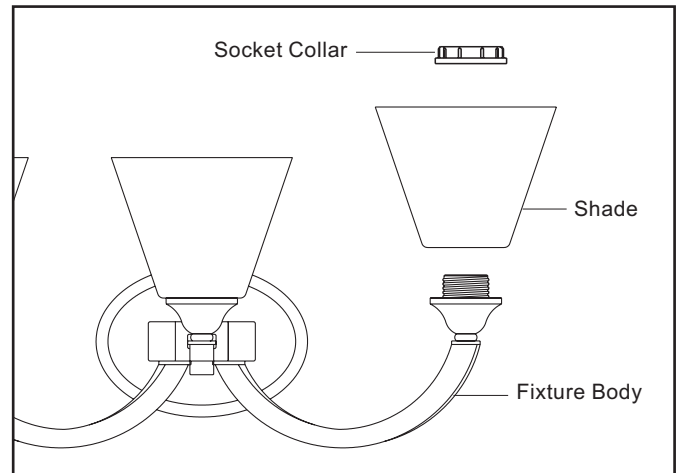
- Carefully tuck all wires into the outlet box and position the Fixture Body over the outlet box. Line up holes on the Backplate and mounting holes on the folded edge of the Crossbar. Secure by threading Mounting Screws into the mounting holes on the Crossbar. Thread screws into top first. Do not fully tighten. Thread screws into bottom, tighten bottom screws with screwdriver. Then, tighten top screws with screwdriver.



INSTALLATION INSTRUCTIONS

STEP 4:

- a. Remove the Socket Collar from the Socket on the Fixture Body. Carefully place Shade over the Socket and secure with Socket Collar as shown in the illustration.



STEP 5:

- a. Install correct bulbs referring to fixture markings and/or labels for maximum wattage.

Your installation is completed now. Restore electricity. Retain this sheet for future reference.