

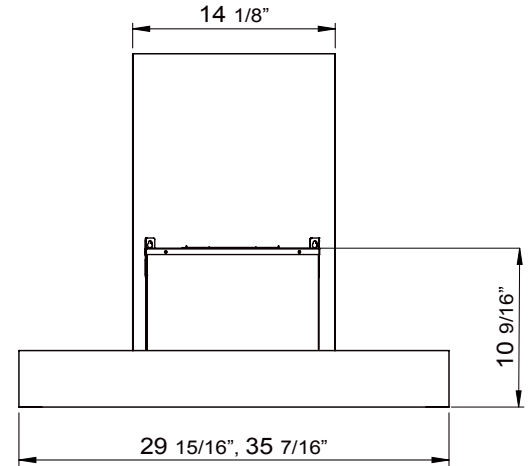
MH008

chimney wall hood

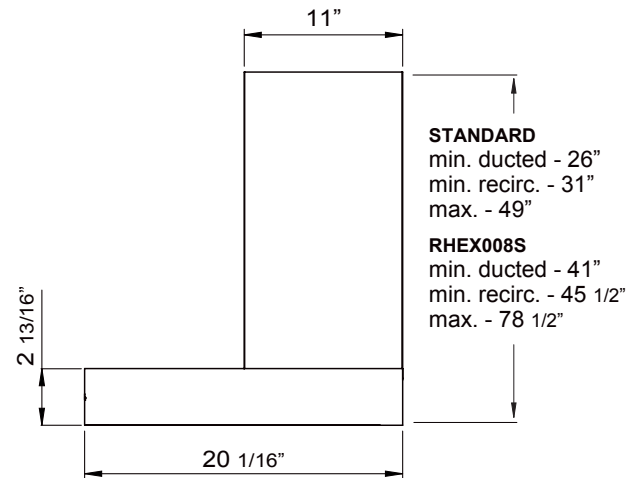
MISENO



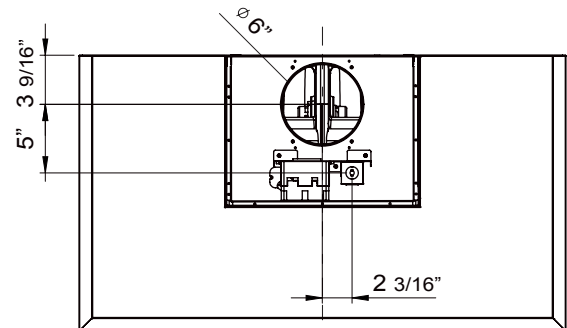
30" model shown



FRONT



SIDE



CL

TOP

MODEL	MH00830BS MH00836BS
SIZE	30" 36"
NET WIDTH	29-15/16" 35-7/16"
MAX. CFM	750
CFM SELECTOR*	390, 290
MAX. SONES	6
FEATURES	
color	stainless steel
controls	3-speed, capacitive touch
delay off	yes, 5 minute
lighting	5W LED strip
dual level lighting	yes
filters	baffle (2)
recirculating option	yes
extension duct cover	yes
DUCT SPECIFICATIONS	
vertical	6" round
horizontal	n/a
ACCESSORIES	
recirculating kit	RHRK008BS
extension duct cover	RHEX008S (up to 12' ceiling)
AC INPUT	120v, 60hz
AC POWER	max. 320w @ 2.6a
INSTALLATION HEIGHT**	24" - 34"

*CFM Selector enables the installer to limit the maximum CFM to meet local codes. When enabled, the fan speeds will be reduced as follows; 390 CFM = 2 speeds, 290 CFM = 1 speed.

**installation height is the distance between top of cooking surface and bottom of hood.



2018.09

vsupport@ventingservices.com | 1.888.750.1698