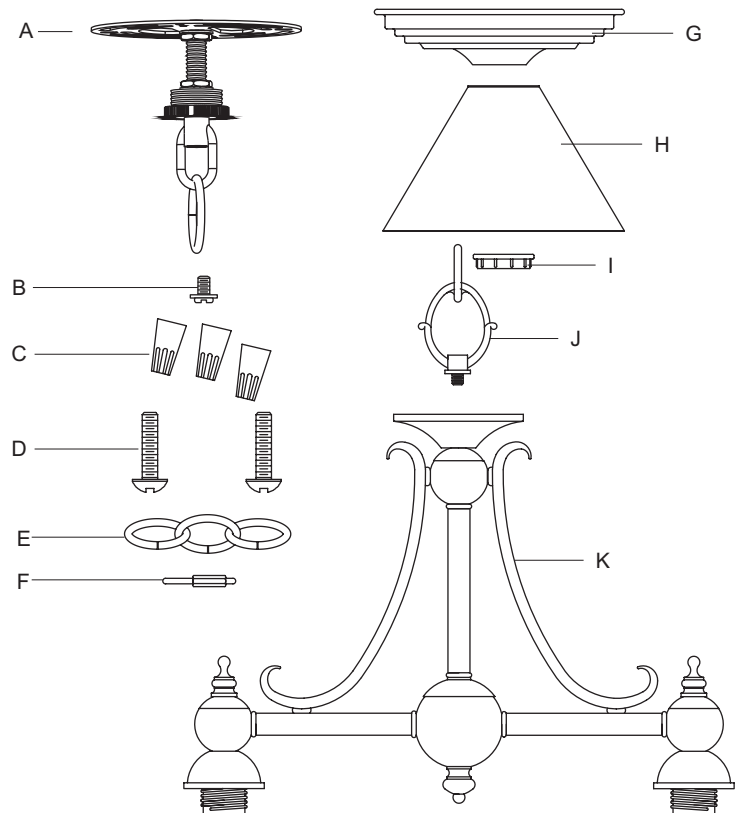


PACKAGE CONTENTS

ISSUED 05-2014

UM-TST13657A1

PART	DESCRIPTION	QUANTITY
A	Crossbar Assembly	1 pc
B	Green Ground Screw (Pre-assembled to Crossbar)	1 pc
C	Wire Connector	3 pcs
D	Outlet Box Screw	2 pcs
E	Fixture Chain	1 pc
F	Quick Link	2 pcs
G	Ceiling Canopy	1 pc
H	Shade	3 pcs
I	Socket Collar(Pre-assembled to Fixture Assembly)	3 pcs
J	Fixture Loop	1 pc
K	Fixture Assembly	1 pc



⚠ WARNINGS AND CAUTIONS

WARNING:

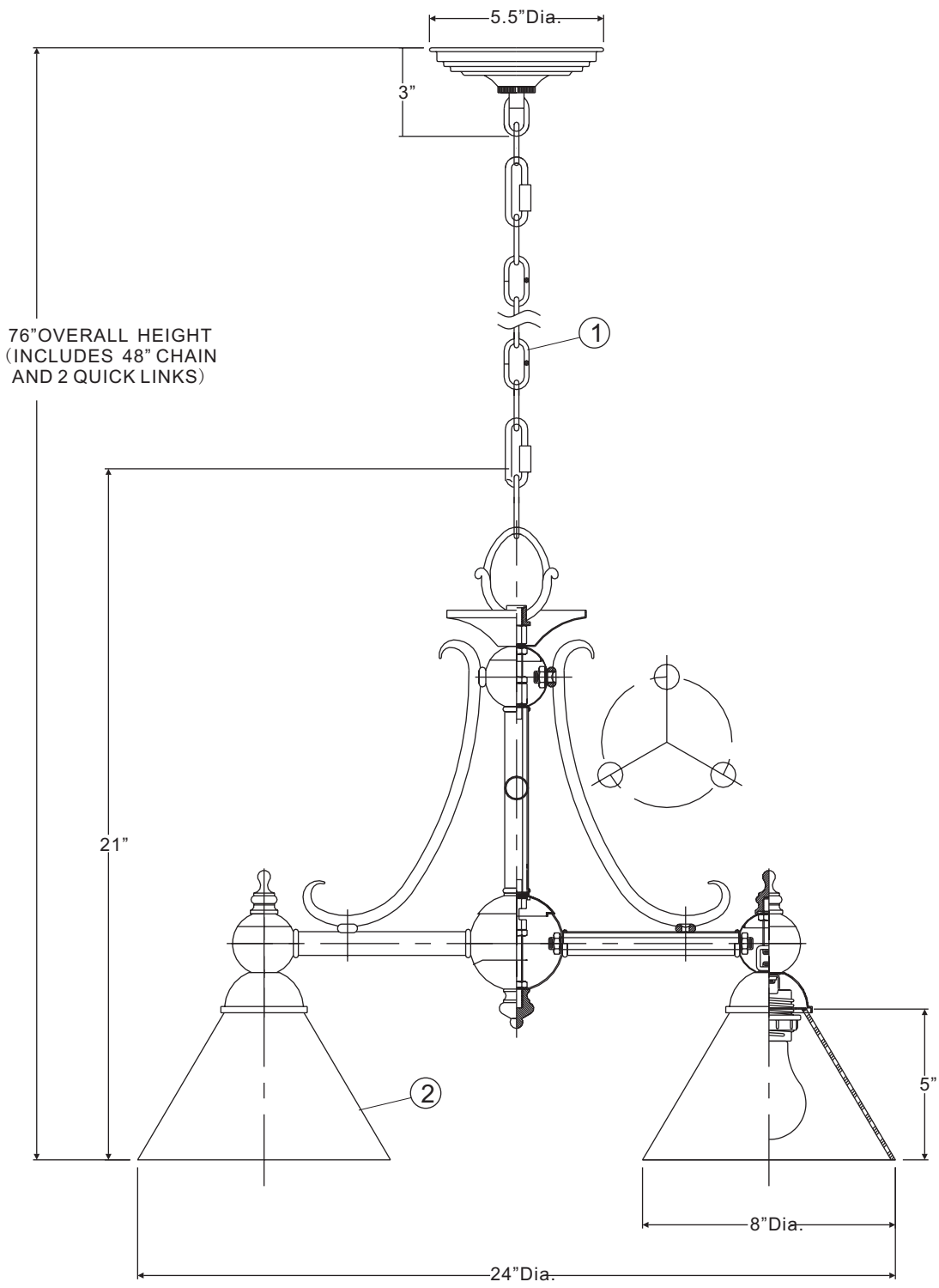
- Before beginning the installation, turn off electricity at the circuit breaker box or the main fuse box by switching off the circuit breaker or removing the fuse.

CAUTION:

- These instructions are provided for your safety. It is very important that they are read completely before the installation of your fixture. We strongly recommend that a professional electrician install the fixture.
- Disconnect fixture from the power source before replacing the bulb(s), making sure that bulb(s) had sufficient time to cool down. DO NOT subject the lamp to any shock while lit as shattering of lamp may result.
- Do not touch the bulb with bare hands use a cloth or glove.

PREPARATION

- Before beginning installation of product, make sure all parts are present. Compare parts with package contents list and diagram above. If any part is missing or damaged, do not attempt to assemble, install or operate the product. Contact customer service for replacement part.
- Estimated Assembly Time: 20 - 30 minutes
- **Bulb Recommended:** (3) Medium Base 100W Maximum, Alternate (3) CFL bulb.
- **Tools Required:** Flathead screwdriver, Phillips screwdriver, pliers, wire cutters, wire strippers, electrical tape, safety glasses.



76" OVERALL HEIGHT
(INCLUDES 48" CHAIN
AND 2 QUICK LINKS)

21"

5.5" Dia.

3"

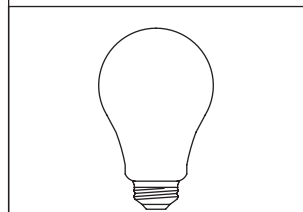
1

2

5"

8" Dia.

24" Dia.



(3) 100W Medium
Base Bulb
(Not Supplied)

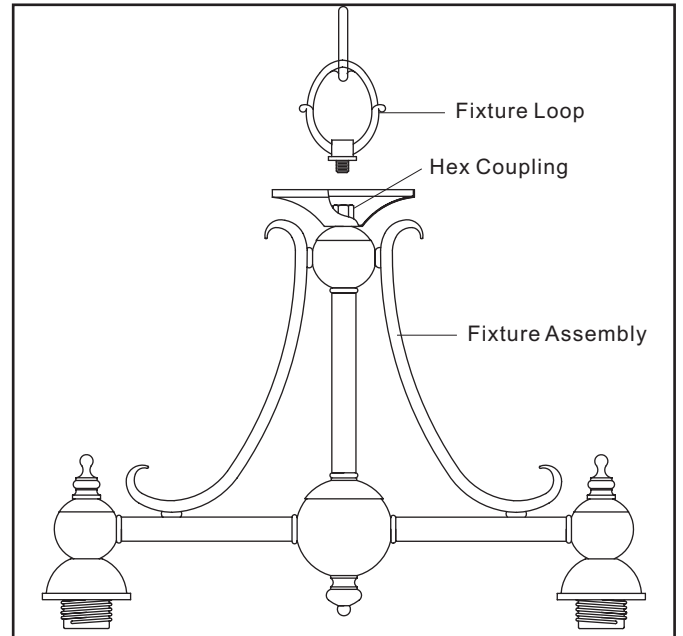
NOTE: ALL DIMENSIONS ARE ROUNDED UP TO THE NEAREST 1/2"

NO.	PART NUMBER	REPLACEMENT PART DESCRIPTION	REQ.
1	M381CHEP	Fixture Chain	1
2	G2564SH	Shade	3

INSTALLATION INSTRUCTIONS

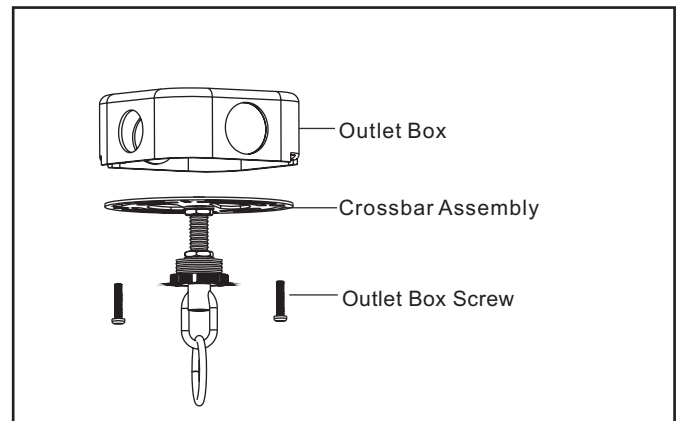
STEP 1:

- a. Screw the nipple at the Fixture Loop into the Hex Coupling in the top center of the Fixture Assembly. Hand-tighten until snug.



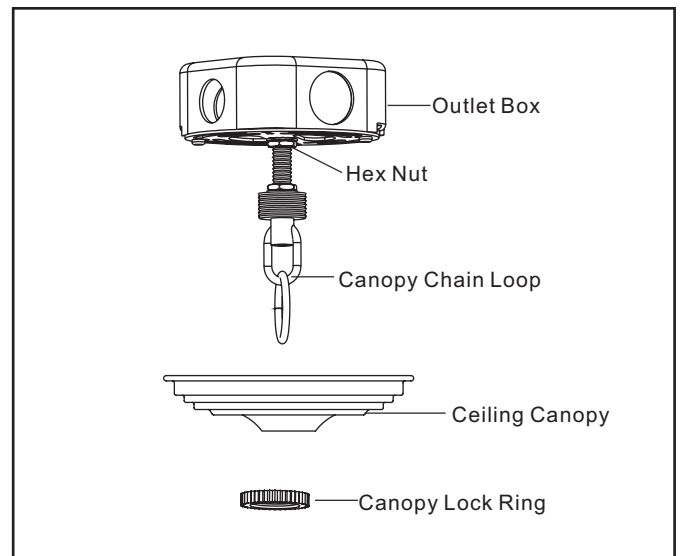
STEP 2:

- a. Secure the Crossbar Assembly to the outlet box (not included) with outlet box screws. Tighten until snug.



STEP 3:

- a. Remove the pre-assembled canopy lock ring from crossbar assembly. Temporarily attach the Ceiling Canopy to the pre-assembled nipple on the crossbar assembly, securing with canopy lock ring. If the ceiling canopy is not snug against the ceiling, remove it from the Crossbar Assembly and adjust the length of the preassembled Nipple by unscrewing the pre-assembled hex nut. Screw the nipple in or out of the crossbar until the correct length is achieved, then re-attach the Ceiling Canopy.



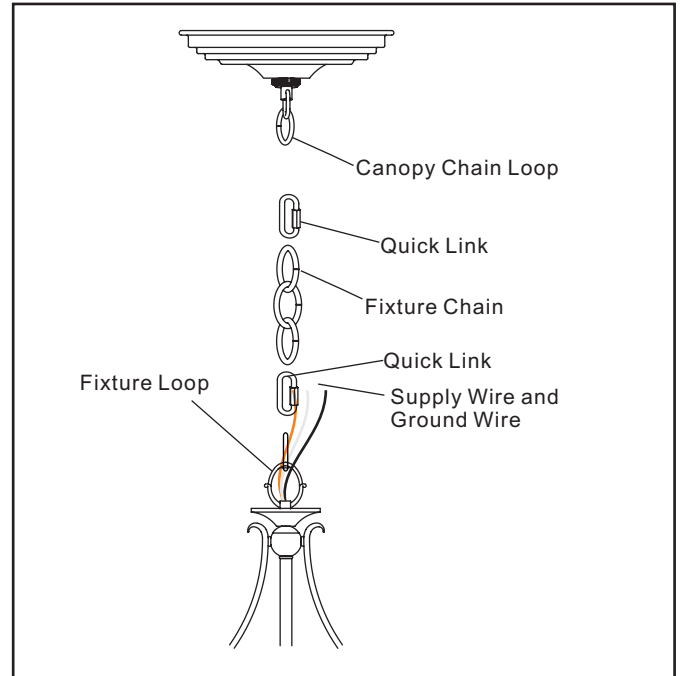
INSTALLATION INSTRUCTIONS

STEP 4:

- Adjust the Fixture Chain to your desired length by removing the links if needed. You may need to use pliers to open the chain links. If so, put a cloth over the chain to protect the finish from the pliers.
- Attach one end of the Fixture Chain onto the Canopy Chain Loop with a Quick Link Connector and then attach the other end of the Fixture Chain onto the Fixture Loop on the top of the fixture with another Quick Link Connector.

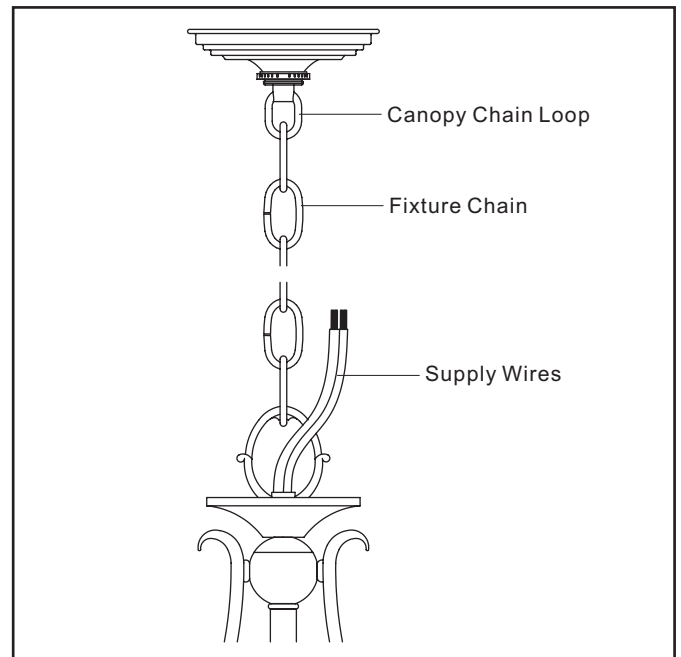
Suggested chain length for ceiling height:

- 8' ceiling: 10" Fixture chain + (2) 2" H. Quick links
9' ceiling: 22" Fixture chain + (2) 2" H. Quick links
10' ceiling: 34" Fixture chain + (2) 2" H. Quick links



STEP 5:

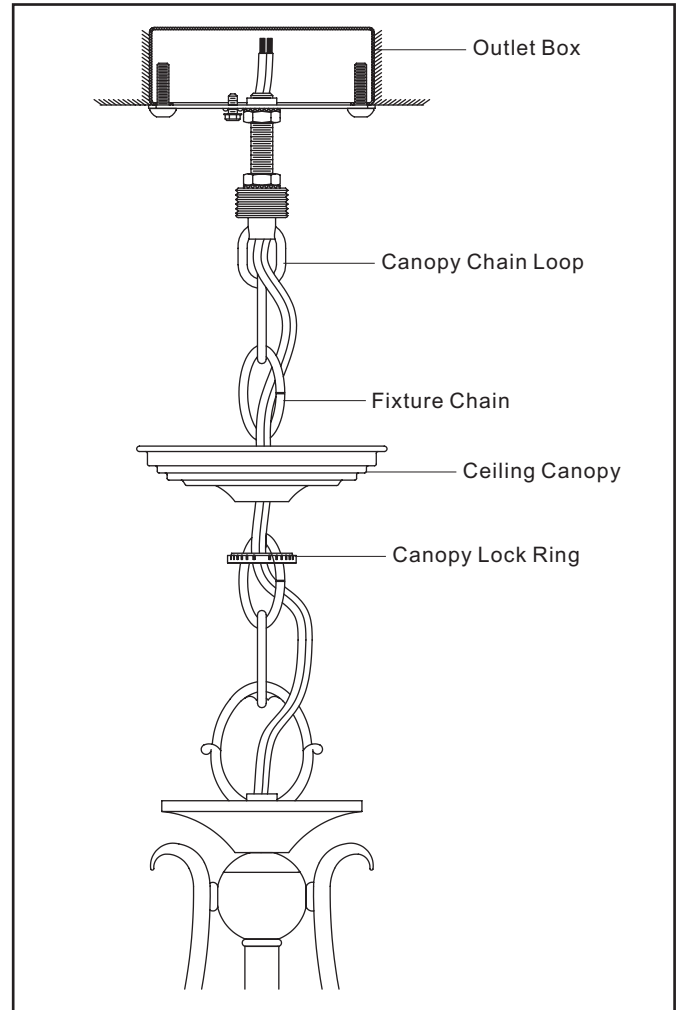
- Pull the Supply Wires up through the Fixture Chain alternating links. Push the wires up through the Canopy Chain Loop into the outlet box.



INSTALLATION INSTRUCTIONS

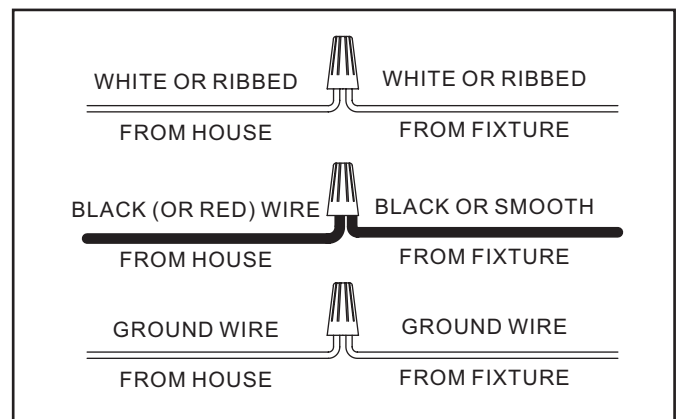
STEP 6:

- Un-thread the Canopy Lock Ring and slide Canopy Lock Ring and Ceiling Canopy down the Fixture Chain.
- Push all slack fixture wire through Canopy Chain Loop into Outlet Box. Trim excess fixture wire leaving a minimum of 6 in. Hanging out of the Outlet Box.
- Refer to STEP 7 to connect the wires.
- Re-attach the Ceiling Canopy as shown in STEP 3.



STEP 7:

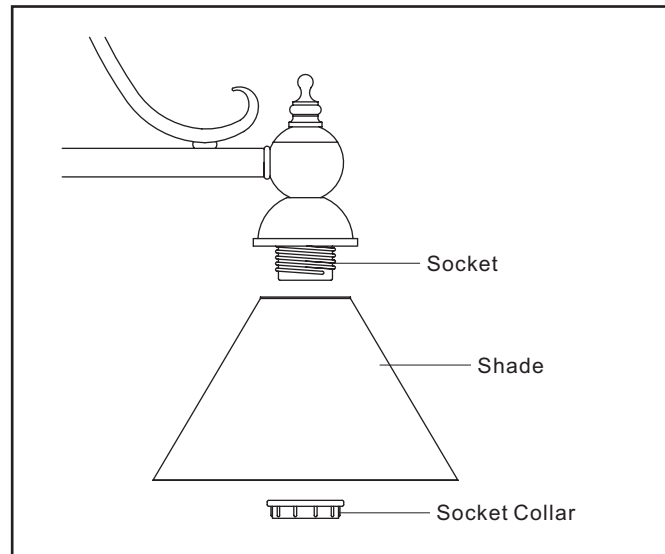
- ★ Use Wire Connectors to connect the wires.
- Connect the House Ground Wire to the Fixture Ground Wire.
 - Connect the House White (or Ribbed) Wire to the Fixture Supply Wire (White or Ribbed Side).
 - Connect the House Black (or Red) Wire to the Fixture Supply Wire (Black or Smooth Side).
 - Wrap each connection with approved electrical tape and carefully stuff all of the connected wires into the Outlet Box.



INSTALLATION INSTRUCTIONS

STEP 8:

- A. Remove the Socket Collar from the Socket on the Fixture Assembly. Place the Shade over the Socket as shown. Secure by threading the Socket Collar onto the Socket. Hand-tighten until snug.



STEP 9:

- a. Install correct bulbs referring to fixture markings and/or labels for maximum wattage.

Your installation is completed now. Restore electricity. Retain this sheet for future reference.