

# Mirabelle®

## EDENTON COLLECTION

### TRANSFER VALVE TRIM KIT

**Product Codes:**

MIRE9005CP (polished chrome)

MIRE9005BN (brushed nickel)

- Lever style metal handle
- Wall thickness range 1" to 1-3/4"
- Recommended valve installation depth 1-5/8" to 2-3/8"
- Requires rough-in valve (MIR6103)
- Extension kit available (MIR6101EXT)
- Lifetime limited warranty
- Meets ANSI:A112.18.1M
- cUPC/IAPMO listed
- ADA compliant



See dimensional drawing on next page

© 2015 Ferguson Enterprises, Inc. 23850 0115



# Mirabelle®

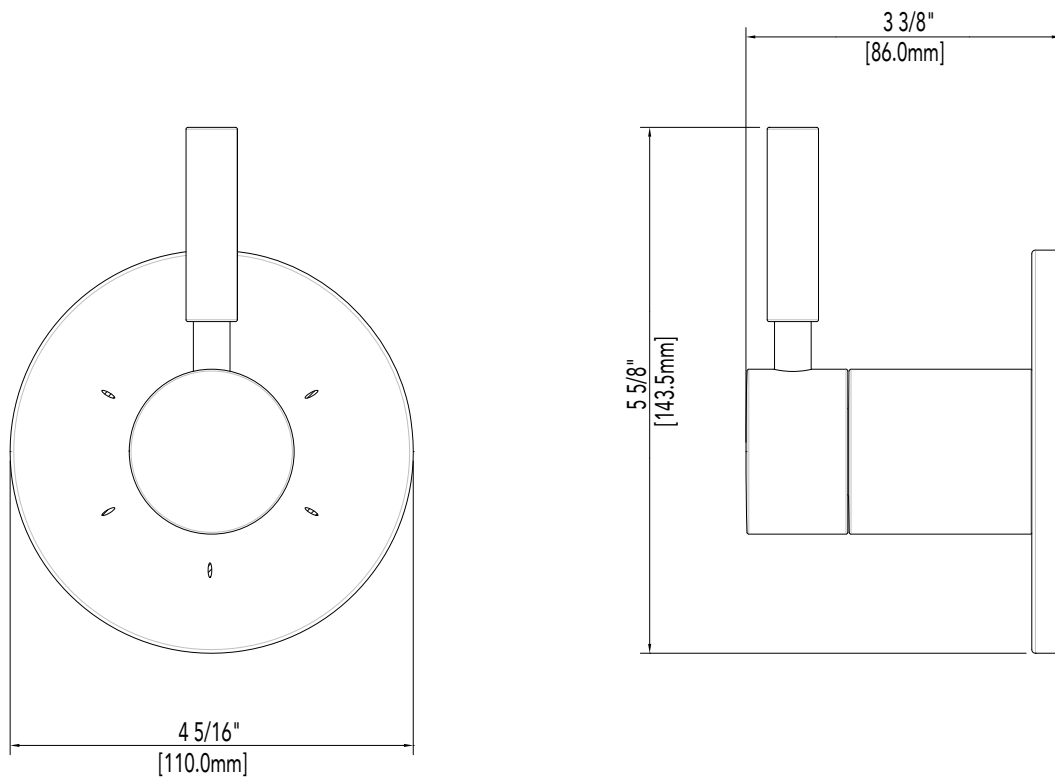
## EDENTON COLLECTION

### TRANSFER VALVE TRIM KIT

**Product Codes:**

MIRE9005CP (polished chrome)

MIRE9005BN (brushed nickel)



Note: All dimensions and specifications are nominal and may vary  $\pm 1/4"$ . Use actual products for accuracy in critical situations.