

Mirabelle®

KEY WEST COLLECTION

TWO-PIECE HIGH EFFICIENCY TOILET

Product Codes:

MIRKW240AWH – elongated bowl (white)

MIRKW200AWH – tank (white)

MIRKW240ABS – elongated bowl (biscuit)

MIRKW200ABS – tank (biscuit)

- Vitreous china construction
- 1.28 gpf HET, High efficiency toilet
- Uses 20% less water than standard low-consumption toilets
- ADA-compliant 16-3/4" high bowl with easy-close seat and cover
- 12" rough-in
- 2-1/4" fully glazed trapway with high performance 3" flush valve
- Includes polished chrome trip lever
- Supply not included
- 100% factory flush tested
- Installation, operating, care and maintenance instructions included
- 1 year limited warranty
- Meets ASME Standard: A112.19.2M
- Meets ASME Standard: A112.19.6M
- cUPC /IAPMO listed
- Recommended accessories
MB130976 - Flush lever, PN
MB130978 - Flush lever, BN
MB130979 - Flush lever, ORB



See dimensional drawing on back

©2011 Ferguson Enterprises, Inc. All Rights Reserved 6906 Rev. 04/14

Mirabelle®

KEY WEST COLLECTION

TWO-PIECE HIGH EFFICIENCY TOILET

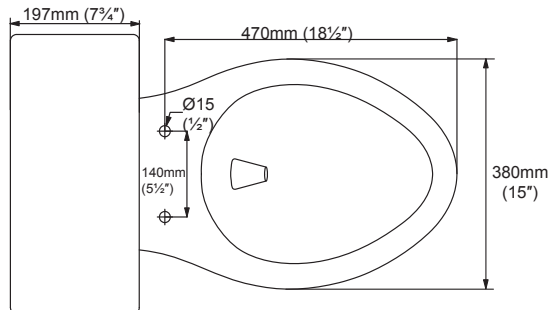
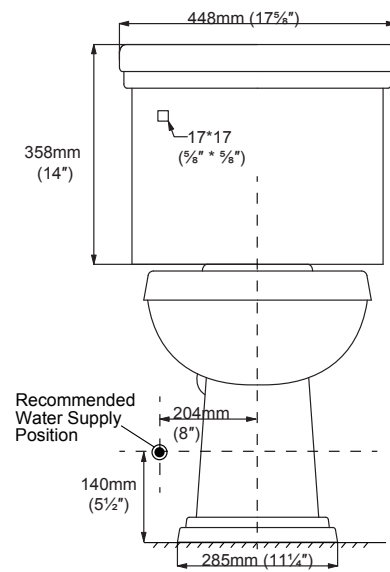
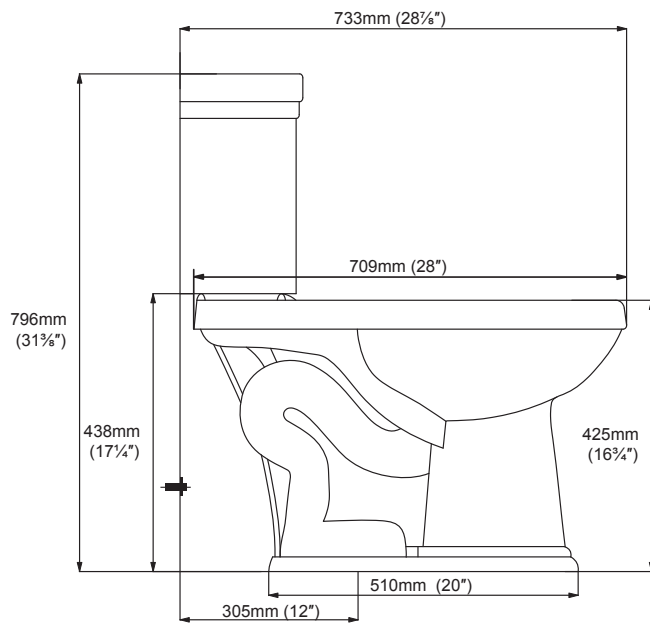
Product Codes:

MIRKW240AWH – elongated bowl (white)

MIRKW200AWH – tank (white)

MIRKW240ABS – elongated bowl (biscuit)

MIRKW200ABS – tank (biscuit)



Note: All dimensions and specifications are nominal and may vary +/- 1/4". Use actual products for accuracy in critical situations.