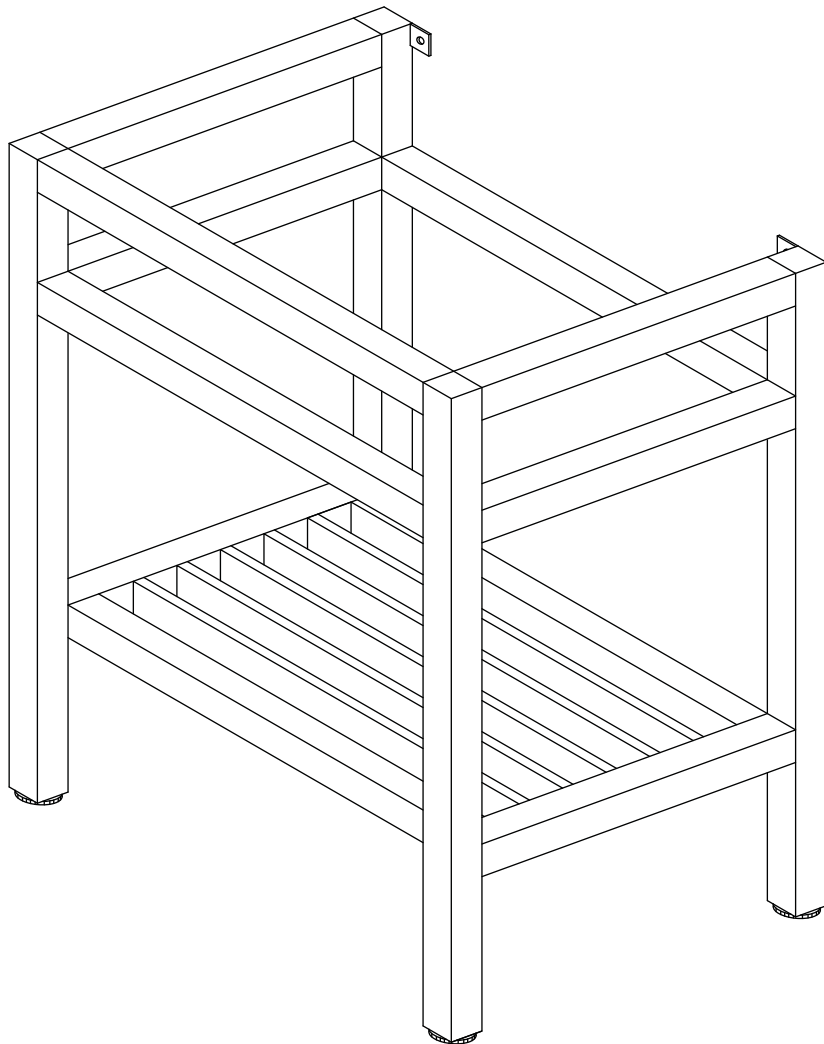
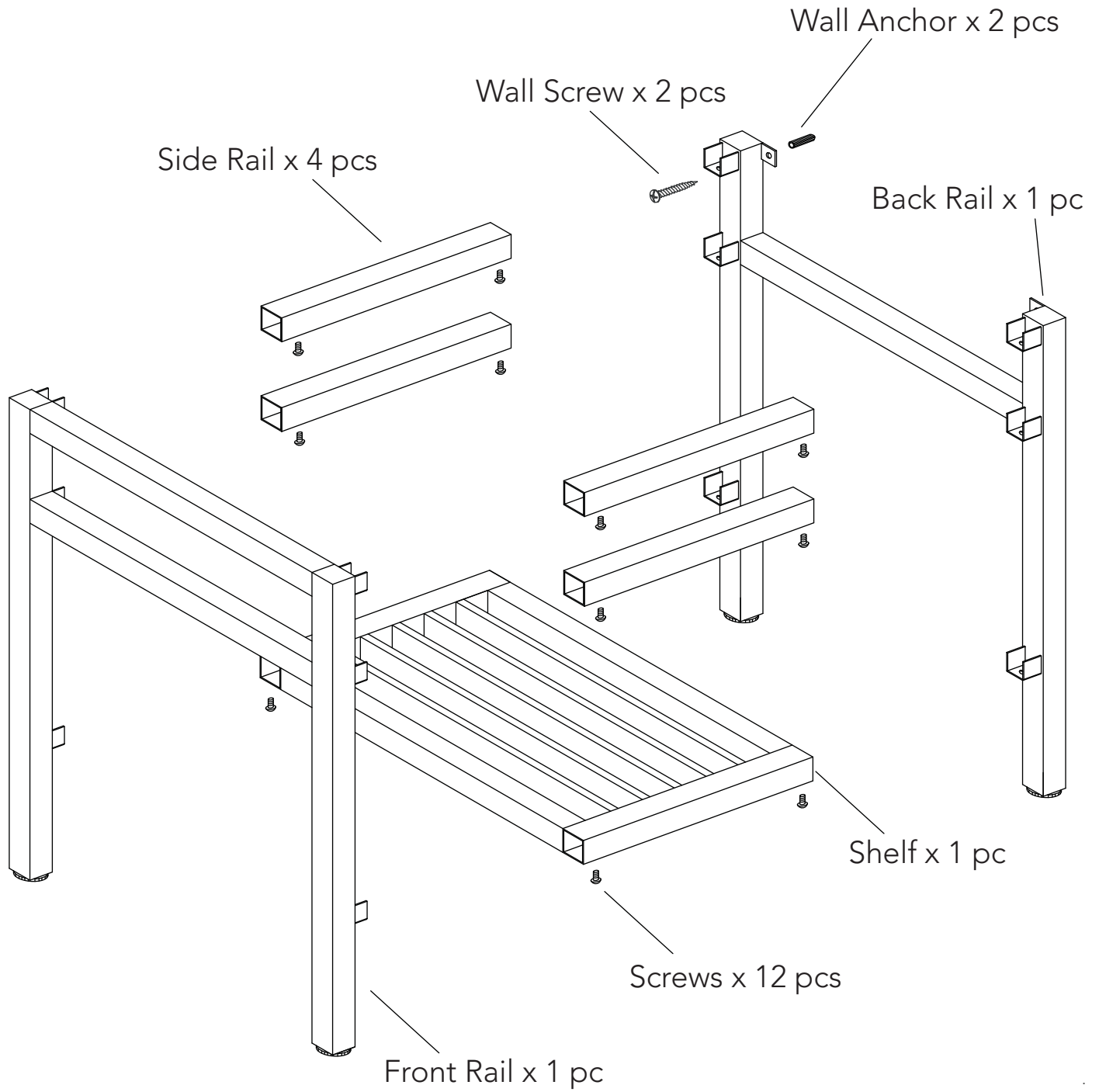




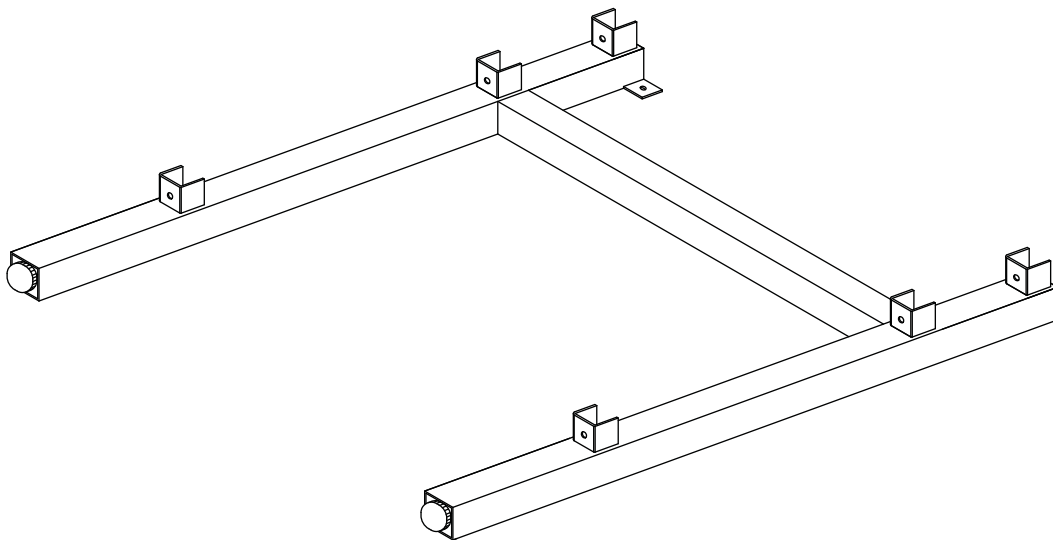
## INSTALLATION INSTRUCTIONS



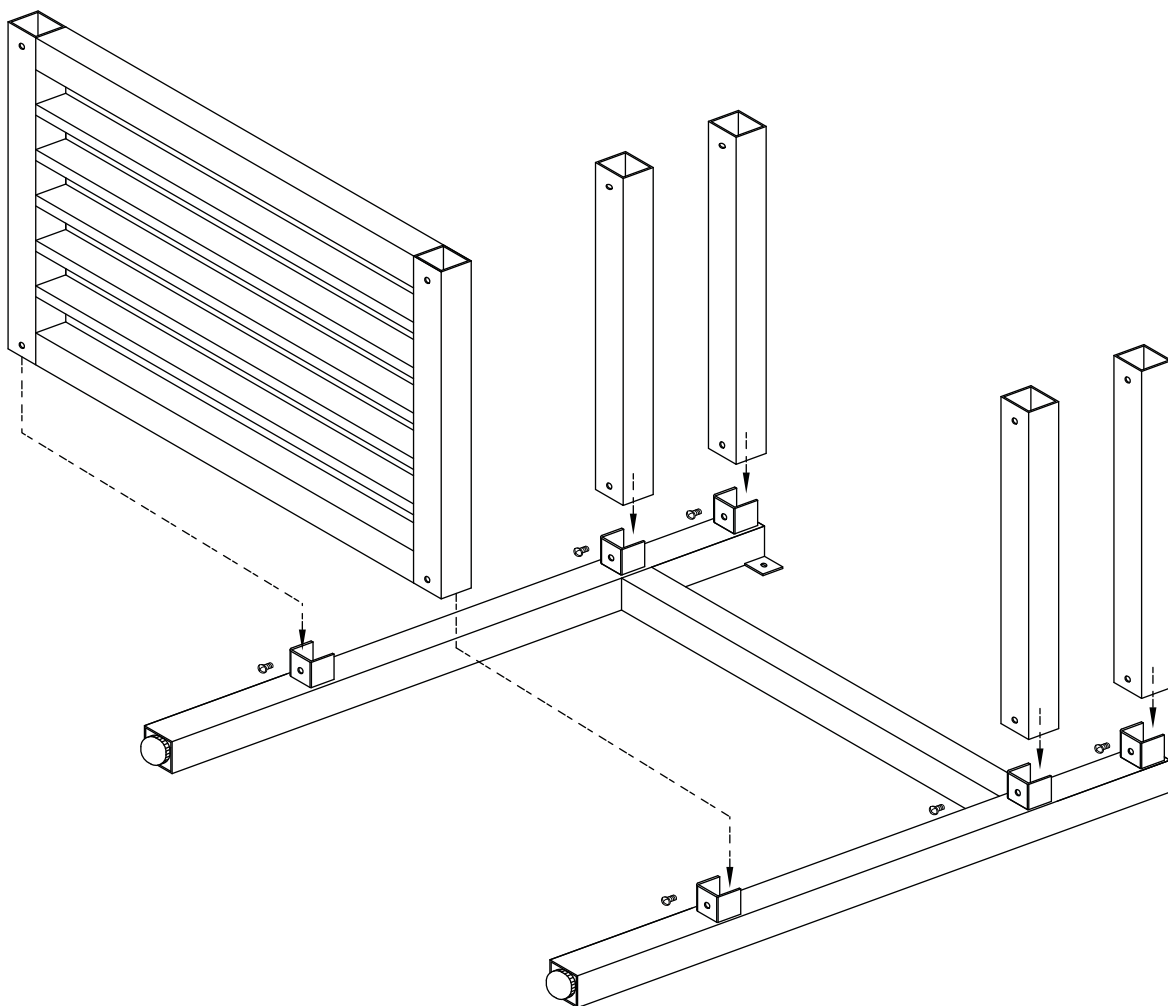
# Parts:



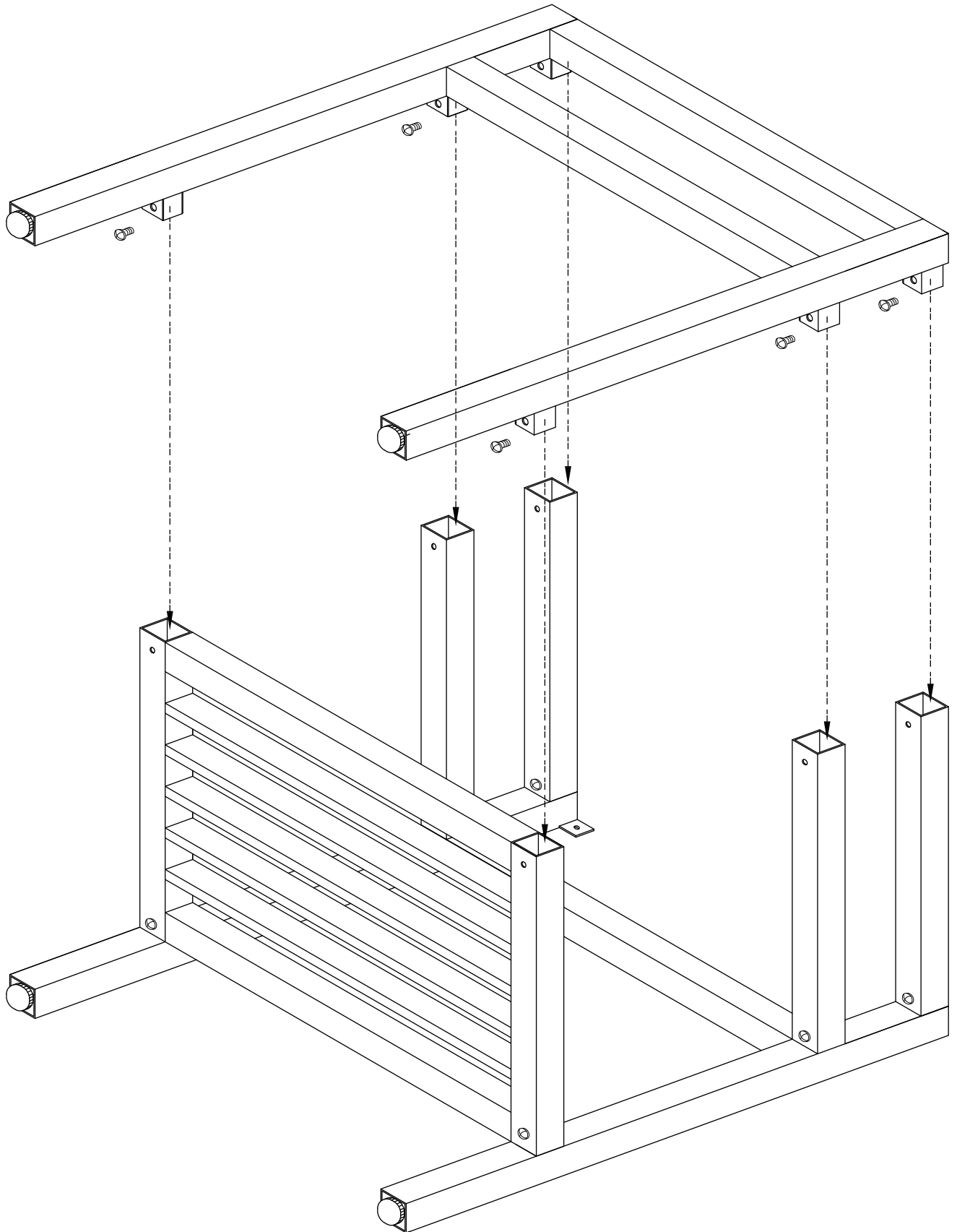
# Step 1:



# Step 2:



# Step 3:



# Step 4:

