

Mirabelle®

AMBERLEY COLLECTION

SINGLE-HANDLE BAR FAUCET

Product Codes:

MIRXCAM103CP (polished chrome)
MIRXCAM103SS (stainless steel)
MIRXCAM103ORB (oil rubbed bronze)
MIRXCAM103PN (polished nickel)

- Brass construction
- Ceramic disc cartridge
- Metal lever handle
- Braided nylon supplies
- Max. flow rate: 1.8 gpm at 60 PSI
- Limited lifetime warranty
- Meets ASME: A112.18.1
- NSF 61 compliant
- cUPC/IAPMO listed
- ADA compliant when installed in accordance with ADA guidelines



See dimensional drawing on next page.

©2018 Ferguson Enterprises, Inc. All Rights Reserved VEN 01/31.



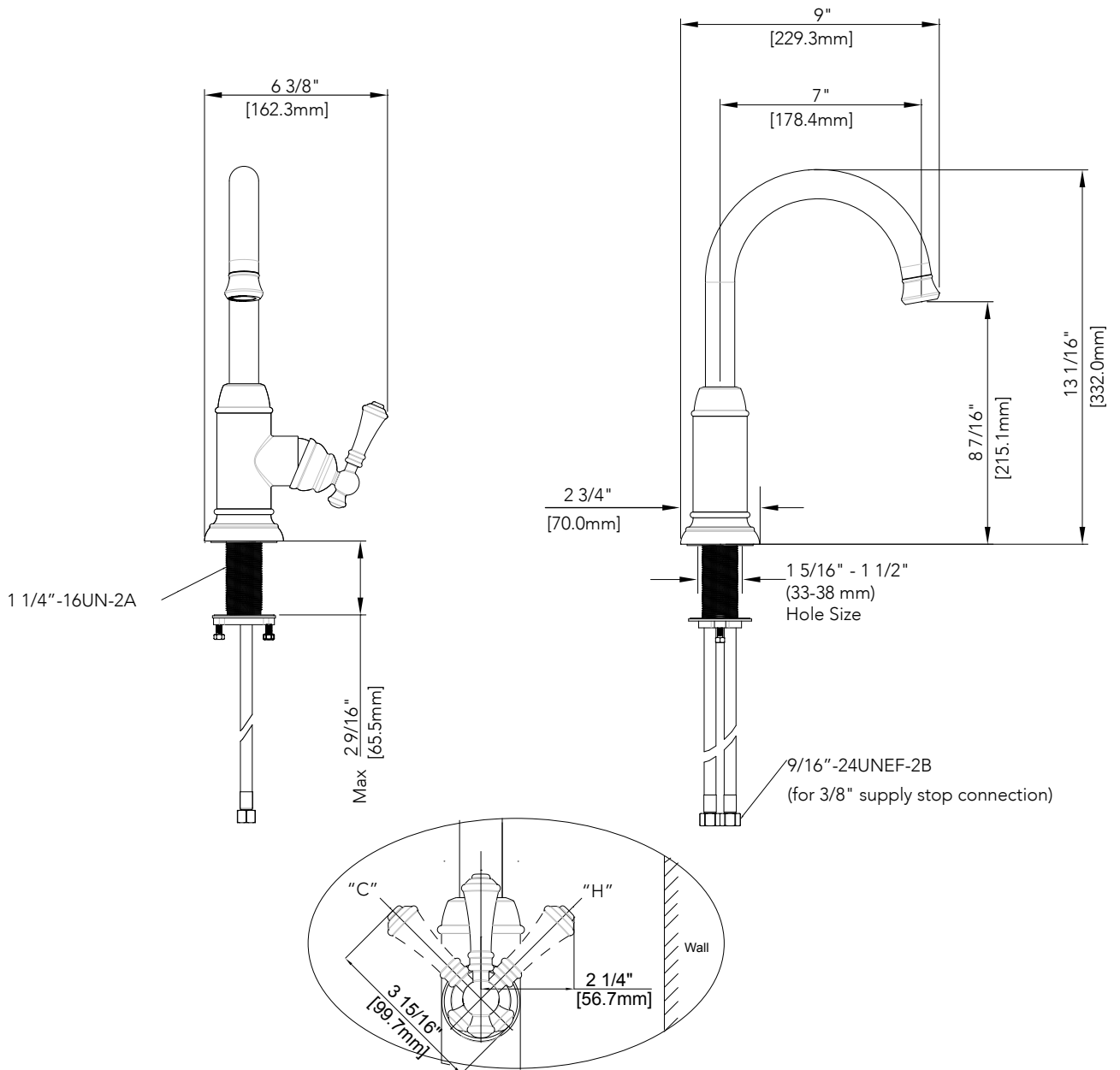
Mirabelle®

AMBERLEY COLLECTION

SINGLE-HANDLE BAR FAUCET

Product Codes:

- MIRXCAM103CP (polished chrome)
- MIRXCAM103SS (stainless steel)
- MIRXCAM103ORB (oil rubbed bronze)
- MIRXCAM103PN (polished nickel)



Note: To be installed through 1 hole sized $1 \frac{5}{16}$ " - $1 \frac{1}{2}$ " (33-38mm)

All dimensions are based on original specifications and are subject to change and variation.