

Mirabelle®

BRADENTON COLLECTION

6030 SKIRTED SOAKER

Dimensions: 59-3/4"L x 30"W x 18-7/8"H

Product Codes:

MIRBDS6030LWH (LH white soaker tub), MIRBDS6030LBS (LH biscuit soaker tub)
MIRBDS6030RWH (RH white soaker tub), MIRBDS6030RBS (RH biscuit soaker tub)

- 48-gallon capacity to overflow
- Integral tile flange and skirt
- Available in left and right configuration
- Pre-leveled base
- Constructed of highest grade acrylic
- 100% factory performance tested with water
- Textured slip-resistant bottom
- End drain position
- 5 year limited warranty
- Meets or exceeds ANSI Z124.1-95, ASME A112, 19.7-M-1995, UL 1795
- UPC/IAPMO listed
- Recommended accessories
 - MB138886 Cable drain ABS with trim – CP
 - MB138885 Cable drain ABS with trim – BN
 - MB138887 Cable drain ABS with trim – ORB
 - MB138883 Cable drain PVC with trim – CP
 - MB138882 Cable drain PVC with trim – BN
 - MB138884 Cable drain PVC with trim – ORB



See dimensional drawing on back

©2014 Ferguson Enterprises, Inc. All Rights Reserved 21518 07/14

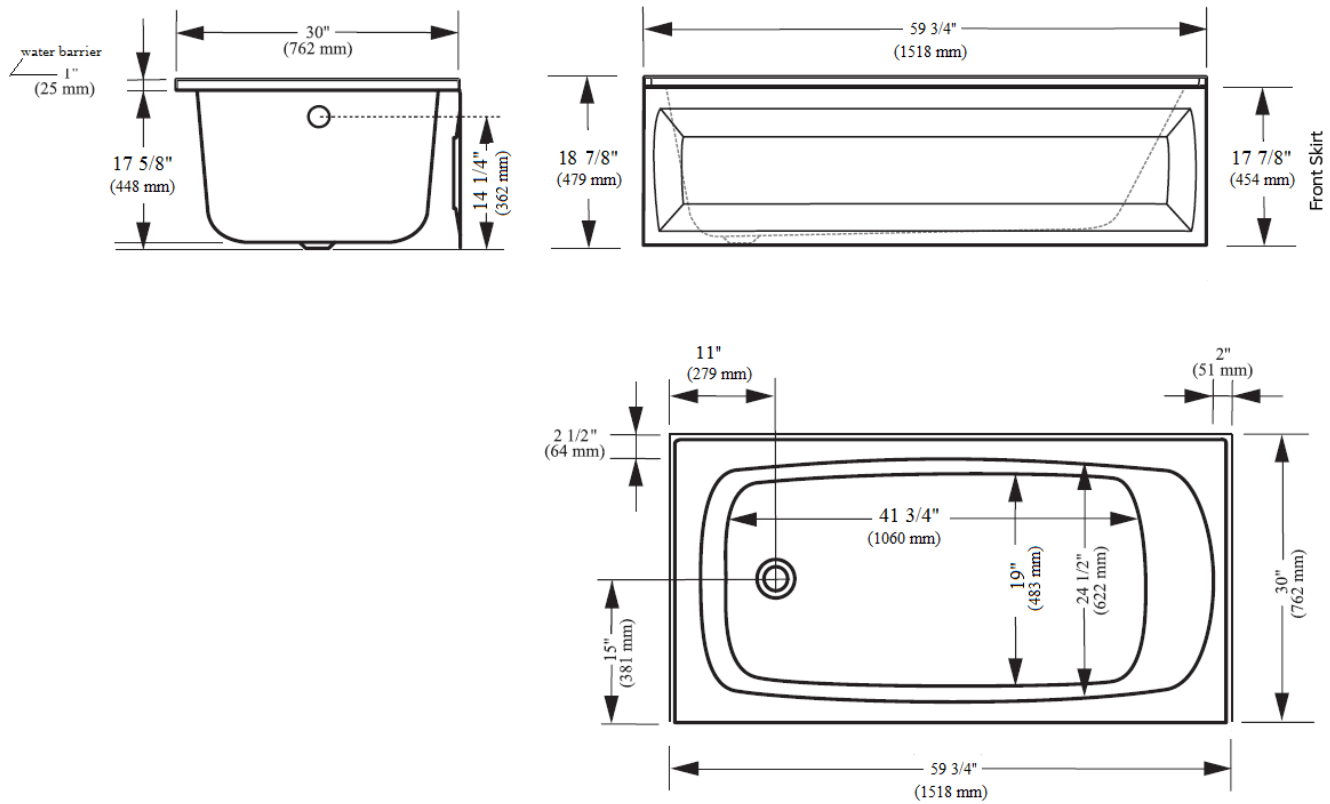
Mirabelle®

BRADENTON COLLECTION

6030 SKIRTED SOAKER

Product Codes:

MIRBDS6030LWH (LH white soaker tub), MIRBDS6030LBS (LH biscuit soaker tub)
MIRBDS6030RWH (RH white soaker tub), MIRBDS6030RBS (RH biscuit soaker tub)



All dimensions and specifications are nominal and may vary + - 1/4". Use actual products for accuracy in critical situations.
Please contact your Mirabelle customer service representative at (800) 221-3379 for any updated specifications.