



sophistispa™

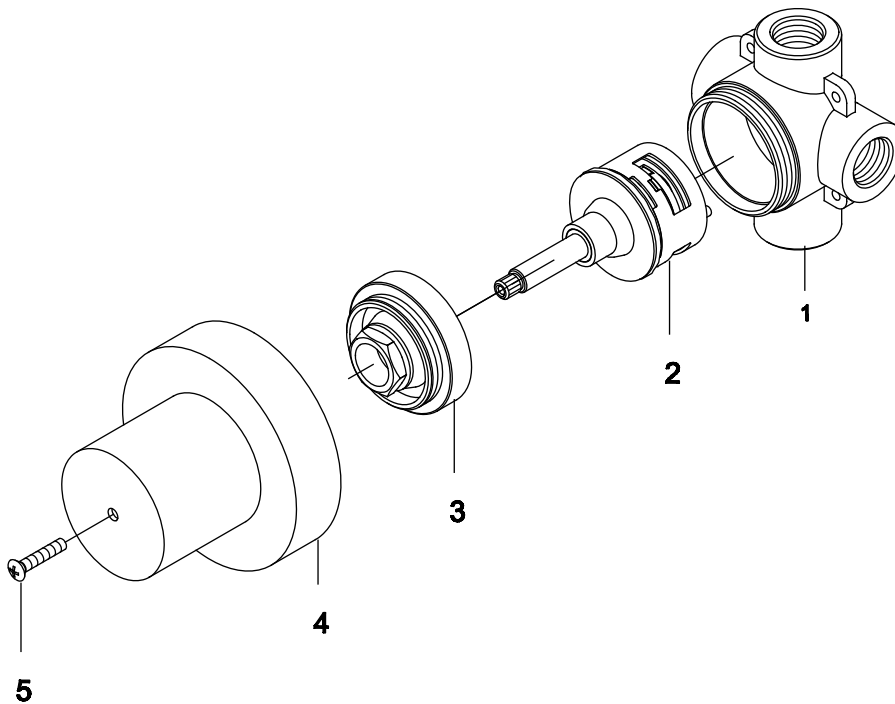
Sophistispa Custom Showering

TRANSFER VALVE

Product Codes :

MIR6101 (1/2" connection)

MIR6103 (3/4" connection)



No.	Part title	Material	Q'ty
1	Body	Casting Brass	1
2	6 way cartridge : MIR6180 3 way cartridge : MIR6110 CALGreen cartridge(no shared positions) : MIR6150	Brass,ceramic,POM	1
3	Hub	Brass	1
4	Cover	Plastic	1
5	Screw	Brass	1

Warranty and Codes

This product comes complete with installation, operating, care and maintenance instructions.

This Mirabelle product carries a limited lifetime warranty. This product meets ASME:A112.18.1/CSA B125.1

