



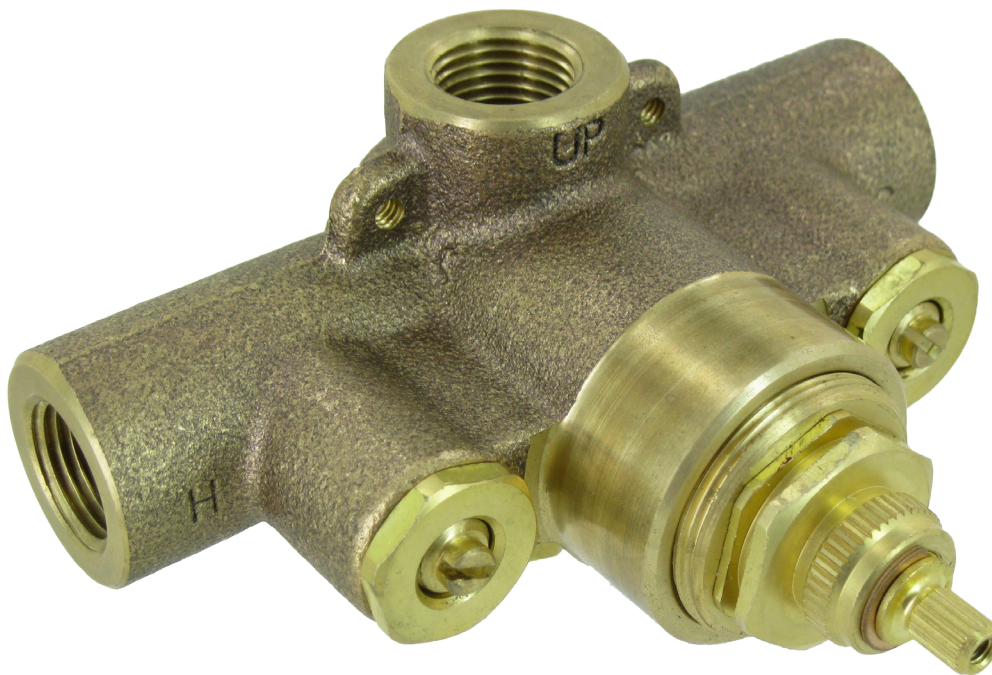
# sophistispa™

## Sophistispa Custom Showering

THERMOSTATIC VALVE WITH STOPS, FIP

Product Codes :  
MIR6004 (1/2" connection)

- Bronze valve body
- For proper installation, requires use of volume control valves (MIR6020 or MIR6040)
- Factory-calibrated comfort setting at 104°F
- 1/2" water inlet and outlet connections
- Water inlet stops and check valve
- ASSE 1016-T and cUPC approved
- MIR6004CRT: 1/2" replacement cartridge
- Optional extension kit available - MIR6004EXT
- Must be installed in accordance with provided installation instructions



Mirabelle thermostatic valve flow rates			
SKU	Description	GPM @ 60 PSI	GPM @ 80 PSI
MIR6004	1/2" thermostatic	11.35	12.94



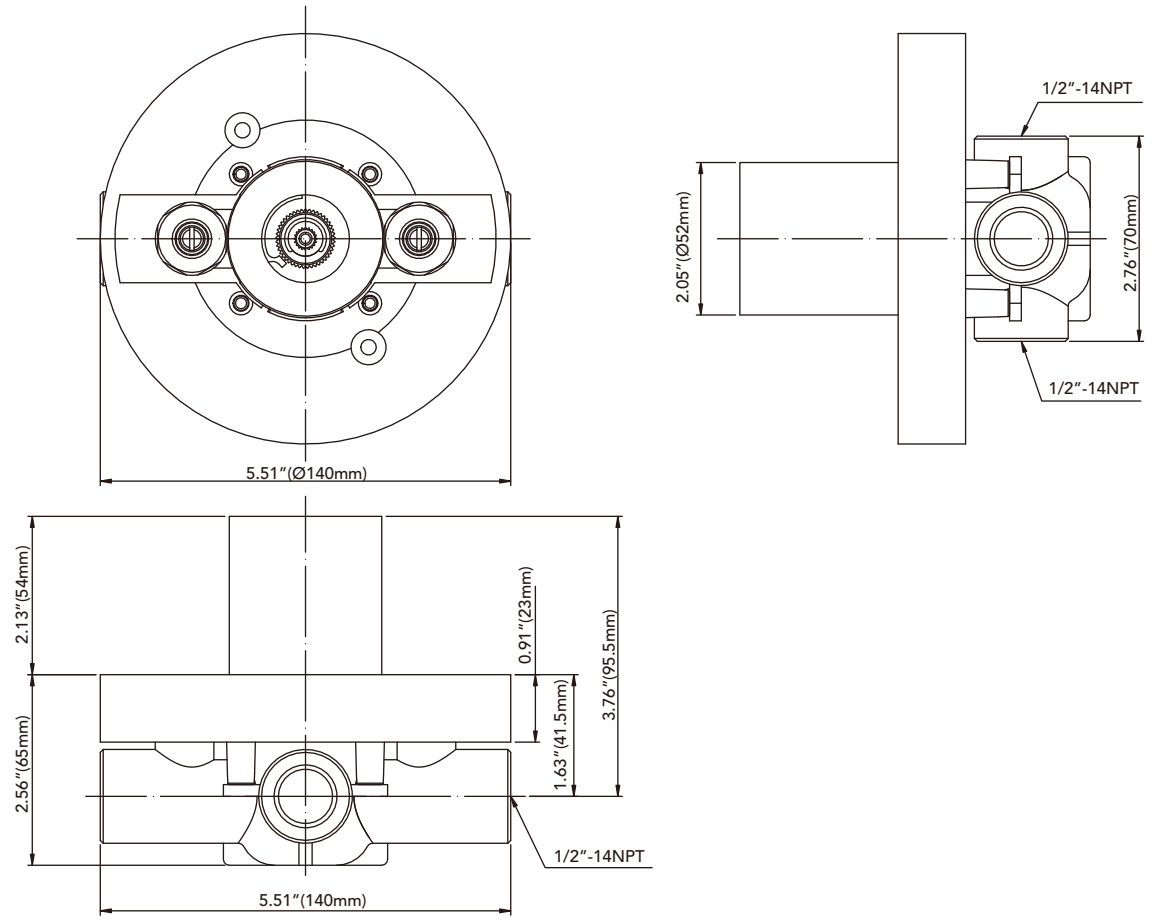


sophistispa™

# Sophistispa Custom Showering

THERMOSTATIC VALVE WITH STOPS, FIP

Product Codes :  
MIR6004 (1/2" connection)



All dimensions are based on original specifications and are subject to change and variation.