



sophistispa™

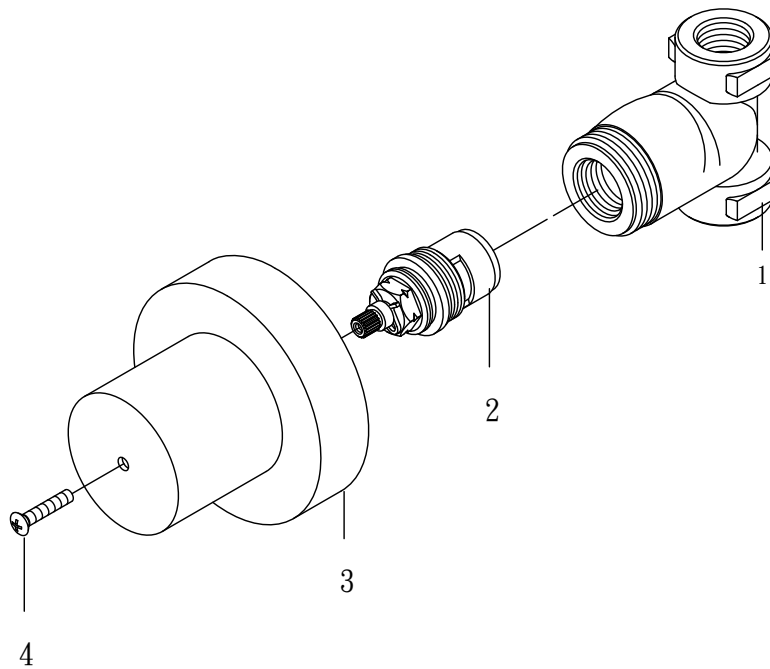
Sophistispa Custom Showering

VOLUME CONTROL VALVE, FIP

Product Codes :

MIR6020 (1/2" connection)

MIR6040 (3/4" connection)



No.	Part title	Material	Q'ty
1	Body	Bronze	1
2	MIR6020CRT 1/2" cartridge MIR6040CRT 3/4" cartridge	Brass,ceramic	1
3	Cover	Plastic	1
4	Screw	Brass	1

Warranty and Codes

This product comes complete with installation, operating, care and maintenance instructions.

This Mirabelle product carries a limited lifetime warranty. This product meets ASME:A112.18.1/CSA B125.1/ASSE1016-T

