

Mirabelle

sophistispa™

KEY WEST COLLECTION

THERMOSTATIC VALVE TRIM KIT

Product Codes:

MIRKW9009CP (polished chrome)

MIRKW9009BN (brushed nickel)

MIRKW9009ORB (oil rubbed bronze)

- Lever style metal handle
- Temperature outlet factory preset to 104° F
temperature can be easily adjusted up and down to user's comfort level
- Scald guard protection
- High temperature limit stop
- Wall thickness range 1 to - 3/4"
- Recommended valve installation depth 1-5/8" to 2-3/8"
- Requires rough-in valve (MIR6004 or MIR6006)
- Extension kit available (MIR6004EXT)
- Lifetime limited warranty
- Meets ANSI:A112.18.1M
- cUPC/IAPMO listed
- ADA compliant



See dimensional drawing on back

© 2013 Ferguson Enterprises, Inc. All Rights Reserved 14936 03/13



Mirabelle

sophistispa™

KEY WEST COLLECTION

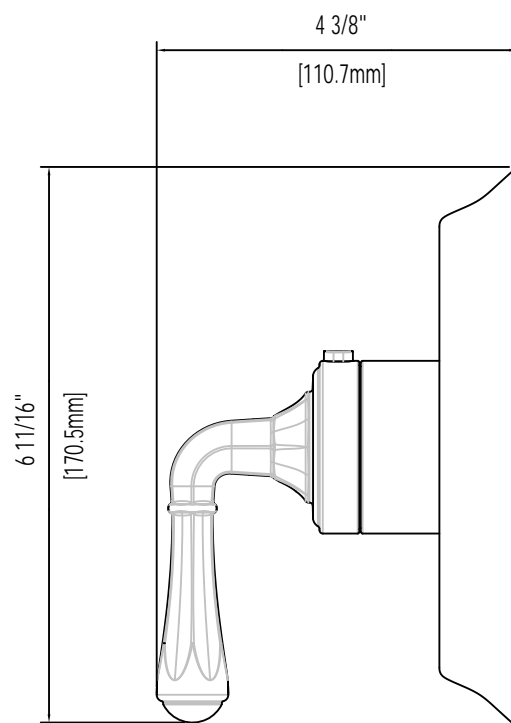
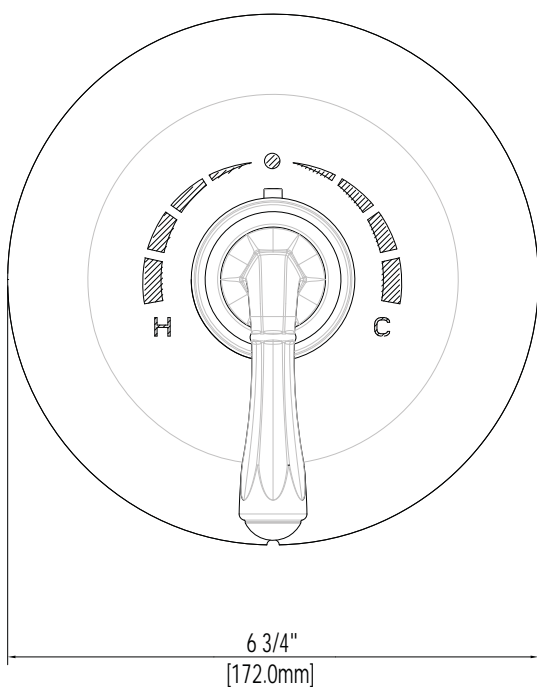
THERMOSTATIC VALVE TRIM KIT

Product Codes:

MIRKW9009CP (polished chrome)

MIRKW9009BN (brushed nickel)

MIRKW9009ORB (oil rubbed bronze)



Note: All dimensions and specifications are nominal and may vary +/- 1/4". Use actual products for accuracy in critical situations.