

**WARNING! SHUT POWER OFF AT FUSE OR CIRCUIT BREAKER**

The WCS212 AireControl System is equipped with a learning frequency function which has 256 code combinations to prevent potential interference from other remote units. The frequency on your Receiver and Transmitter units have been preset at the factory. We recommend setting up frequency while installing ceiling fan instead of using initial frequency set by factory. (Fig 1.) Please use a small size tool to change the setting.

**Safety Precautions:**

**WARNING: Disconnect source of electrical power by removing the fuse or switching off circuit breakers.**

- Do not use with solid state fans.
- Electrical wiring must meet all local and national electrical code requirements.
- Electrical source and fan must be 115/120 volts, 60 hz.
- Maximum fan motor amps 1.5. Maximum light watts 190-incandescent only.

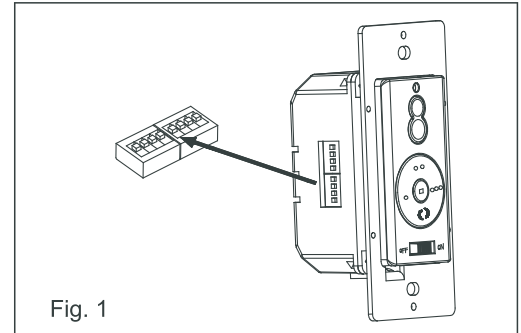


Fig. 1

**1. WALL TRANSMITTER INSTALLATION**

**WARNING! HOOK UP "IN SERIES" ONLY. DO NOT CONNECT NEUTRAL SUPPLY WIRE OF ELECTRIC CIRCUIT TO THE TRANSMITTER WALL SWITCH, DAMAGE TO THE TRANSMITTER WALL SWITCH AND POSSIBLE FIRE COULD OCCUR.**

**Step 1.** Remove the existing wall plate and switch from the wall outlet box.

**Step 2.** Make the electrical connections as shown in Fig.2. If your outlet box has a ground wire (Green or Bare Copper) connect the Wall Transmitter's ground wire to it. Otherwise connect the Wall Transmitter's wire directly to one of the screws from the outlet box. Secure all wire connections with the plastic wire nuts provided.

**Step 3.** Carefully tuck the wire connections inside the outlet box. Use the screws provided to secure the wall transmitter and wall plate to the outlet box. (Fig. 3)

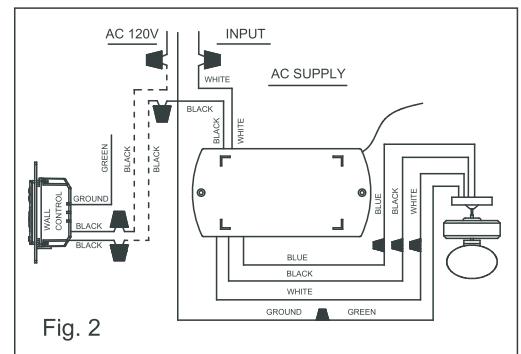


Fig. 2

**2. OPERATING THE WALL TRANSMITTER**

The WCS212 Touch Control™ System includes two sets of face and decorative plate color options. The wall control comes with a standard white faceplate attached. If you desire to replace it with the Ivory color faceplate, use a small flat screw driver and gently pry it apart from the top or bottom of the plate.

**1. Light Button:**

Press and release the button to turn the light ON or OFF. Press and hold the button to set the desired light brightness. The light will cycle between bright and dim settings as long as the button is pressed. The light key has an automatic auto-resume feature that allows the light to remain at the same brightness as the last time it was turned off. The Up-light button applies to ceiling fans that feature an Up-light only.

**2. Speed Buttons**

Press and release the button for the desired speed.

**3. Reverse Button**

Use this button to change the blade rotation

**4. Stop Button**

This button stops the fan

**5. On-OFF**

This button turns the power off for the fan and light.

The installation of your new WCS212 Touch Control System is complete.

**3. CREATING A UNIQUE FREQUENCY**

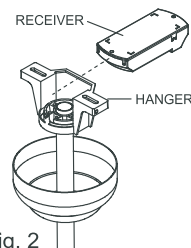
Step: 1. Within 60 seconds of turning the Receivers AC power ON. Press the transmitter's "Stop" button.

**Note: After the AC power is on, do not press any other button on the transmitter before pressing the "Stop" button doing so will cause the procedure to fail.**

Step: 2. Hold the "Stop" button for over 3 seconds, once the receiver has detected the frequency, the down light will flash twice. This will indicate the receiver has learned the frequency that was previously selected on the transmitter.

**WARNING! HOOK UP "IN SERIES" ONLY!**

Do not connect to hot and common wire of electric circuit or switch will be damaged. Refer to diagram below



**CAUTION:**  
Do not use fan speed control in canopies where the Mounting is not as described in Fig2 of the installation instructions.

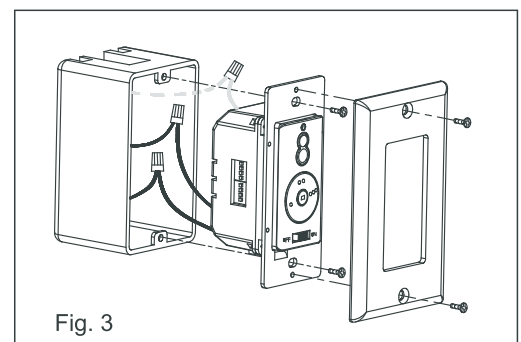


Fig. 3

After completing the steps above, you should be able to operate the ceiling fan and light.  
If the fan is not responding to the transmitter, please turn the off power of to the receiver and repeat Step 1 and 2.

**NOTICE!**

Your ceiling fan and light kit assembly must meet the following requirements:

- 1. Do Not install this fan with wall solid state speed control or wall light dimmer control.  
It will permanently damage the receiver of remote control and cause the fan function failure.

**CAUTION:**

Ceiling Angle shall Not Exceed 30 Degrees, For Mounting controller. Models MR36T

This product is protected by United States Federal and/or State Law, including Patent, Trademark and/or Copyright laws  
Manual design and all elements of manual design are protected by U.S. Federal and/or State Law, including Patent, Trademark and/or Copyright laws.

