



Congratulations on your purchase of a **Minka-Aire™** ceiling fan! Your new fan will be a beautiful addition to your home, and will keep you comfortable throughout the year.

Minka-Aire™ offers a variety of ceiling fans: combinations of wood and brass finishes, solid designer colors, and unique glass and crystal designs. A large selection of light fixtures and light kits are also available. Ask your dealer about accessories that will allow you to customize your fan.

We're certain that your **Minka-Aire™** fan will provide you with many years of comfort, energy savings and satisfaction. To ensure your personal safety and to maximize the performance of your fan, please read this manual thoroughly.

LIMITED LIFETIME WARRANTY

Minka-Aire™ warrants this fan to be free from defects in material and workmanship for one year from the date of purchase, except for the motor. **Minka-Aire™** warrants to the original owner that the motor in this fan shall be free from defects in material and workmanship as long as the original purchaser owns the fan. **Minka-Aire™** only obligation under this limited warranty is to replace, repair or refund the purchase price any fan confirmed by **Minka-Aire™** to be defective in material or workmanship after such fan is returned to **Minka-Aire™** by the original purchaser along with a proof of purchase and with shipping charges prepaid. This warranty shall not apply to fans which have been damaged as a result of improper installation, removed from the original installation or subjected to use for which the fan was not designed. The customer shall be responsible for any cost of removing the old fan, installing a new fan or any other costs. This limited lifetime warranty is in lieu of all other expressed warranties. **Minka-Aire™** shall under no circumstances be liable for any incidental or consequential damages.

Date Purchased _____

Store Purchased _____

Model No. _____ F704 _____

Serial No. _____

CONTENTS

SAFETY RULES.....	1
PACKAGE CONTENTS.....	2
INSTALLING THE FAN.....	3
HANGING THE FAN.....	4
ELECTRICAL CONNECTIONS.....	5
FINISHING THE INSTALLATION.....	6
ATTACHING THE FAN BLADES.....	7
SWITCH CUP INSTALLATION.....	8
OPERATING YOUR FAN.....	9
CARE OF YOUR FAN.....	10
TROUBLESHOOTING.....	11
SPECIFICATIONS.....	12



1151 W. Bradford Court, Corona, CA 92882
©and Patents 2004, All Rights Reserved



1. SAFETY RULES

1. Before you begin installing the fan, **shut power off** at the circuit breaker of the fuse box.

2. Be cautious! Read all instructions and safety information before installing your new fan. Review accompanying assembly diagrams.

3. Make sure that all electrical connections comply with local codes, ordinances, or National Electrical Codes. Hire a qualified electrician or consult a do-it-yourself wiring handbook if you are unfamiliar with installing electrical wiring.

4. Make sure the installation site you choose allows the fan blades to rotate without any obstructions. Allow a minimum clearance of 7 feet from the floor and 18 inches from the tip of the blades to the wall.

5. If you are mounting the fan to a ceiling fan outlet box, use a U.L. Listed metal octagonal outlet box marked "Acceptable for Fan Support". Secure the box directly to the building structure. The outlet box and its support must be able to support the moving weight of the fan (at least 50 pounds) **Do not use a plastic box.**

6. **Caution:** To reduce the risk of injury use only the screws provided with the outlet box in conjunction with the lock washers provided with the fan.

7. If you are mounting the fan to a joist, make sure it is able to support the moving weight of the fan (at least 50 pounds).

8. After you install the fan, make sure that all mounting components are secured to prevent the fan from falling.

9. Do not insert anything into the fan blades while the fan is operating.

10. Turn the fan off and wait for the blades to stop completely before changing the fan direction.

NOTE: The important safeguards and instructions appearing in this manual are not meant to cover all possible conditions and situations that may occur. It must be understood that common sense, caution and care are factors which can not be built into this product. These factors must be supplied by the person (s) installing, caring for and operating the unit.

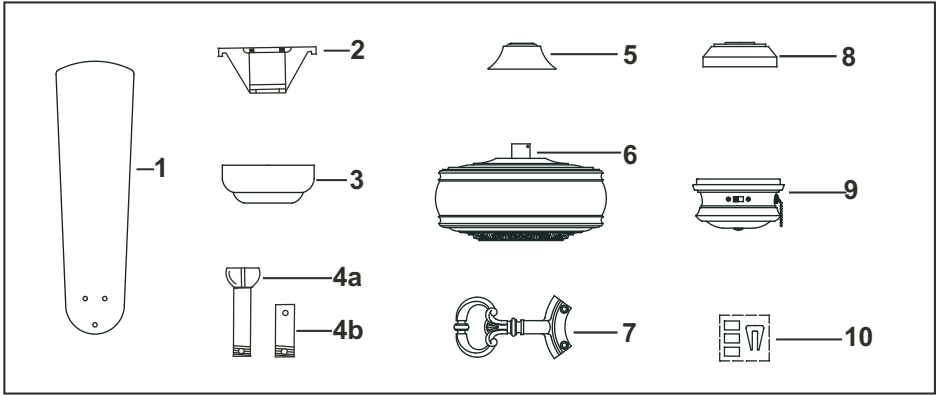
WARNING

TO REDUCE THE RISK OF FIRE, ELECTRIC SHOCK OR OTHER PERSONAL INJURY, MOUNT FAN ONLY TO A U.L. LISTED OUTLET BOX OR SUPPORTING SYSTEM MARKED ACCEPTABLE FOR FAN SUPPORT AND USE MOUNTING SCREWS PROVIDED WITH THE OUTLET BOX OR IN CONJUNCTION WITH THE LOCK WASHERS PROVIDED WITH THE FAN. MOST OUTLET BOXES COMMONLY USED FOR FAN SUPPORT OF LIGHTING FIXTURES ARE NOT ACCEPTABLE FOR FAN SUPPORT AND NEED TO BE REPLACED. CONSULT A QUALIFIED ELECTRICIAN IF IN DOUBT.

TO REDUCE THE RISK OF PERSONAL INJURY, DO NOT BEND THE BLADE HOLDERS WHILE INSTALLING, BALANCING THE BLADES OR CLEANING THE FAN. DO NOT INSERT FOREIGN OBJECTS BETWEEN ROTATING FAN BLADES.

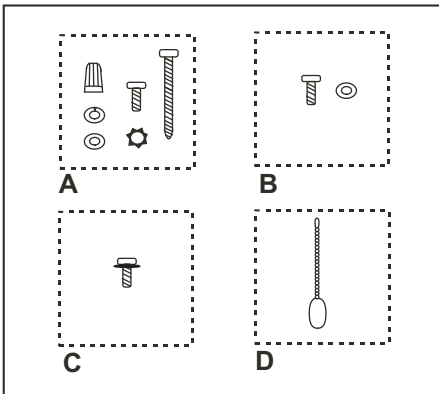
TO REDUCE THE RISK OF FIRE OR ELECTRIC SHOCK, DO NOT USE THIS WITH ANY SOLID-STATE SPEED CONTROL DEVICE.

PACKAGE CONTENTS 2.



Unpack your fan and check the contents. You should have the following items:

1. Fan blades (5)
2. Hanger bracket
3. Canopy
- 4a. Standard downrod assembly
- 4b. Minimum-length downrod (for close to ceiling mounting only)
5. Coupling cover
6. Fan motor/housing assembly
7. Blade holders (5)
8. Switch cup plate
9. Switch cup
10. Balancing kit



A. Mounting Hardware:

- #10 X 1.5" Wood Screws (2 PCs.)
- #8-32 X 3/4" Machine screws (2PCs.)
- Lock washers (2 PCs.)
- 4mm Star washers (2 PCs.)
- Wire nuts (3 PCs.)
- Washers (2PCs.)

B. Blade Attachment Hardware:

- 3/16" x 7 mm Screws (16PCs.)
- Fiber Washers (16PCs.)

C. Bracket Holder Hardware:

- 3/16" x 3/4" Screws with lock washers (11PCs.)

D. Switch Cup Hardware

- Pull chain fob (2PCs.)

3. INSTALLING THE FAN

Tools Required: Phillips screw driver; slotted screw driver; step-ladder; wire cutters; electrical tape.

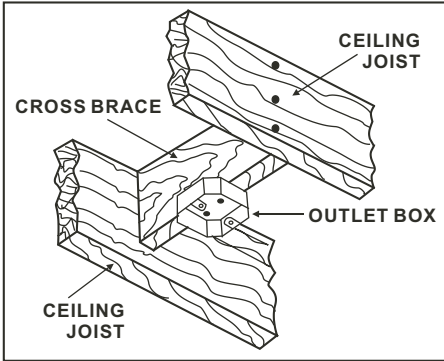


FIG. 1

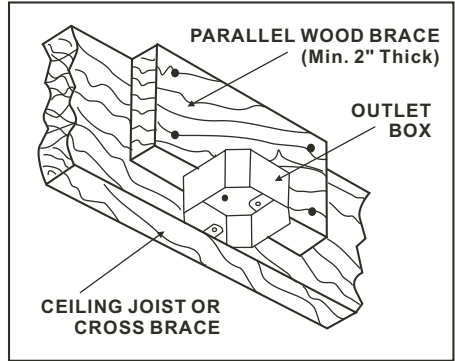


FIG. 2

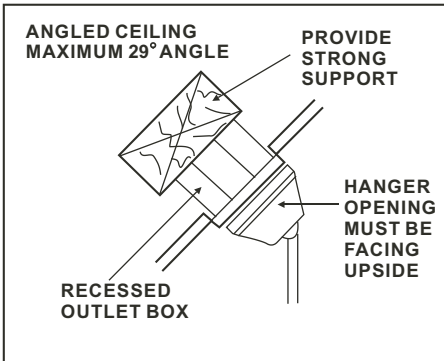


FIG. 3

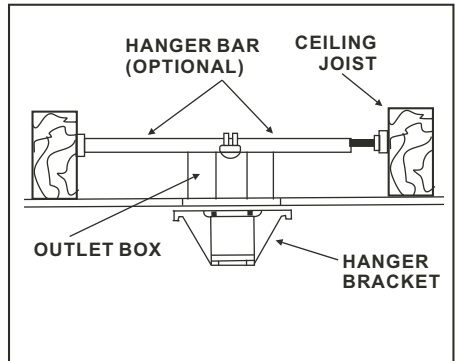


FIG. 4

MOUNTING OPTIONS

If there isn't an existing mounting box, then read the following instructions.

Disconnect the power by removing fuses or turning off circuit breakers.

Secure the outlet box directly to the building structure. Use appropriate fasteners and building materials. The outlet box and its support must be able to fully support the moving weight of the fan (at least 50 lbs.). **Use a UL Listed metal outlet box. Do not use a plastic outlet box.**

Figure 1, 2 and 3 are examples of different ways to mount the outlet box.

Note: You may need a longer downrod to maintain proper blade clearance when installing on a steep, sloped ceiling. Longer downrods are available from your **Minka-Aire™** dealer.

To hang your fan where there is an existing fixture but no ceiling joist, you may need to install a hanger bar as shown in Fig. 4 (available at your **Minka-Aire™** dealer).

HANGING THE FAN 4.

REMEMBER to turn off the power. Follow the steps below to hang your fan properly:

Step 1. Secure the Hanger Bracket to the ceiling outlet box using the screws provided with your outlet box in conjunction with the lock-washers provided with the fan. (Fig. 5)

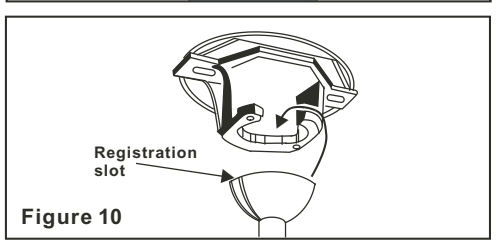
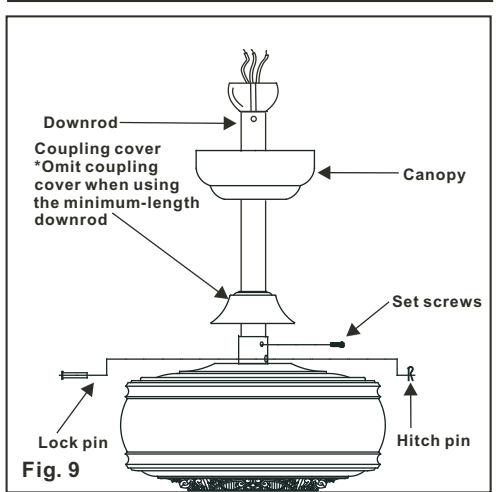
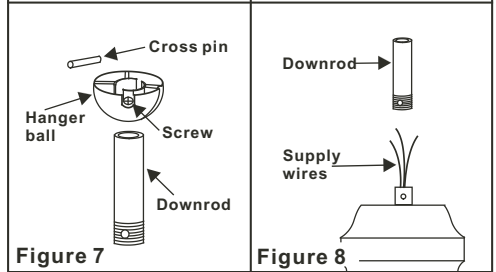
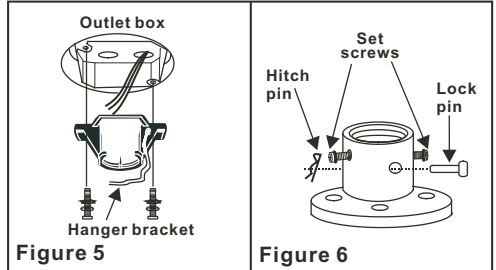
Step 2. Loosen the two Set Screws and remove the Hitch Pin and Lock Pin from the coupling located on the top of the Motor Assembly. (Fig. 6)

Step 3. Remove the Hanger Ball from the Downrod Assembly by loosening the Set Screw and removing the Cross Pin. (Fig. 7)

Step 4. Carefully feed fan wires up through the downrod. (Fig. 8) Thread Downrod into the Coupling until the holes are lined up and secure with the Lock Pin and Hitch Pin previously removed, tighten Set Screws. (Fig. 9)

Step 5. Slip Coupling Cover and Canopy onto Downrod. Carefully re-install the Hanger Ball onto the Downrod being sure that it's properly positioned over the Cross Pin and the wires are not twisted, tighten Set Screw. (Fig. 9)

Step 6. Lift the Motor Assembly and place the Hanger Ball into the Hanger Bracket. Rotate the Motor Assembly as needed until the check groove from the Hanger Ball rests firmly over the registration tab from the Hanger Bracket. Motor Assembly should not rotate if this is done correctly. (Fig. 10)



5. ELECTRICAL CONNECTIONS

REMEMBER to shut the power off at the circuit breaker or fuse box.

Step 1. Connect the Black (hot) wire from the outlet box to the black and blue wires from the fan. Connect the White (neutral) wire from the outlet box to the white wire from the fan. Secure all wire connections with the plastic wire nuts provided.

(Fig. 11)

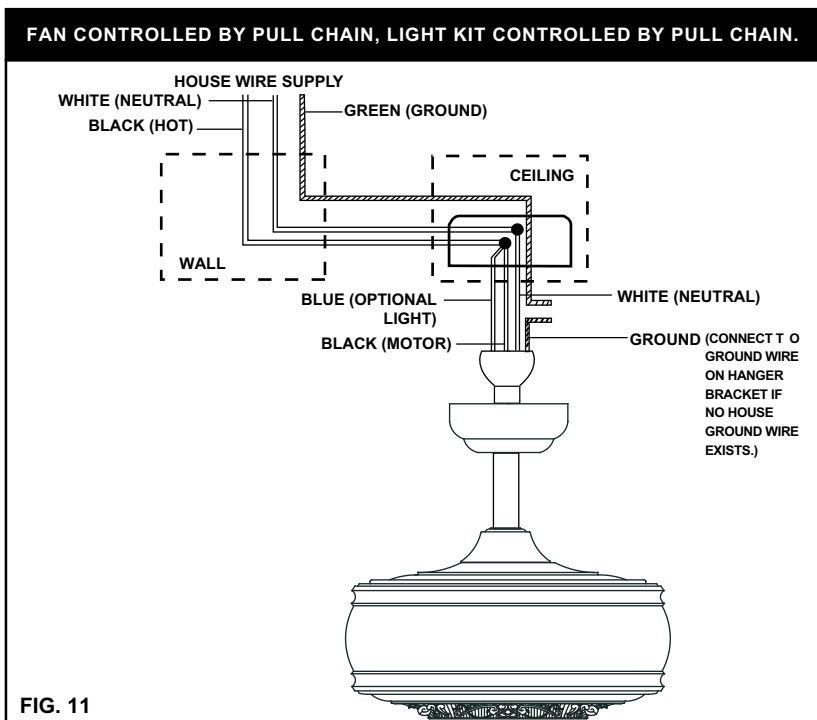
Step 2. If your outlet box has a Ground wire (Green or Bare Copper) connect this wire to the Hanger Ball and Hanger Bracket Ground wires. If your outlet box does not have a Ground Wire,

then connect the Hanger Ball and Hanger Bracket Ground Wires together. Secure wire connection with the plastic wire nut provided. (Fig. 11)

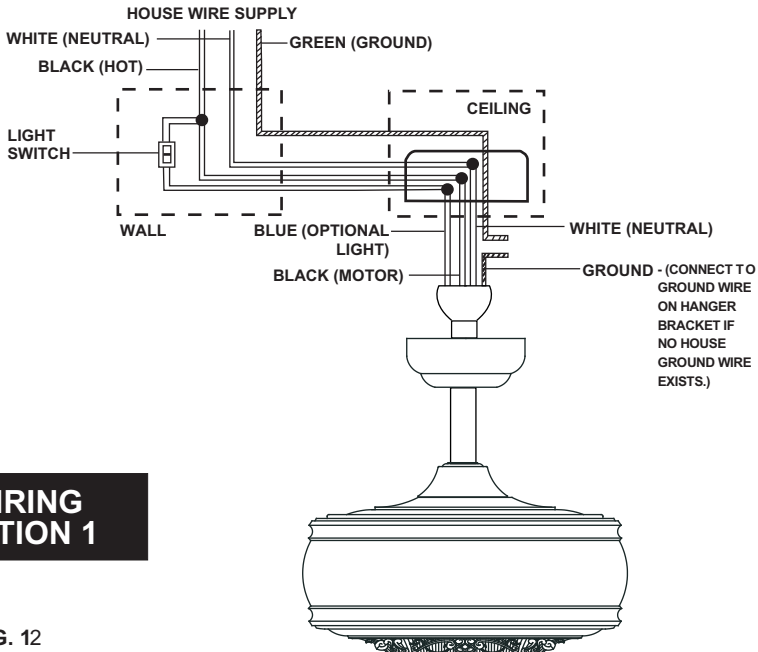
After all splices are made, check to make sure there are no loose strands. As an additional precaution we suggest to secure the plastic wire connectors to the wires with electrical tape.

Step 3. Figures 12 & 13 illustrate the wiring connections using optional wall units. (Available at your *minkaAire* dealer).

NOTE: If a light kit is not included with your fan, one can be purchased at your *minkaAire* dealer.



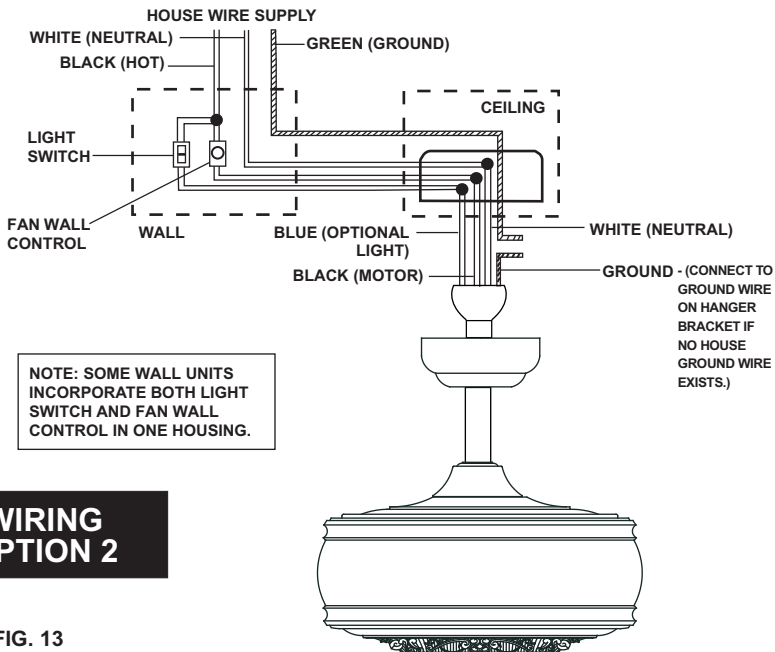
FAN CONTROLLED BY PULL CHAIN, LIGHT KIT CONTROLLED BY WALL SWITCH.



WIRING OPTION 1

FIG. 12

FAN CONTROLLED BY WALL CONTROL, LIGHT KIT CONTROLLED BY LIGHT SWITCH.



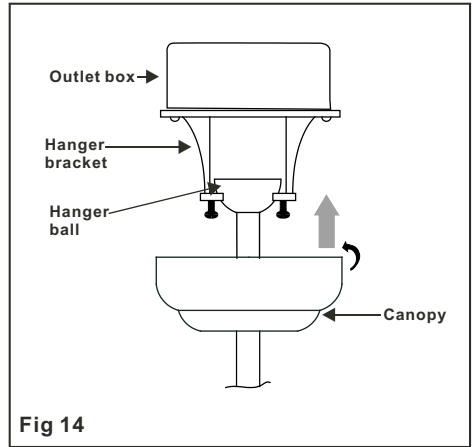
WIRING OPTION 2

FIG. 13

6. FINISHING THE INSTALLATION

Step 1. Slide the canopy up to the ceiling and over the two screws on hanger bracket. Rotate canopy clockwise until tight.

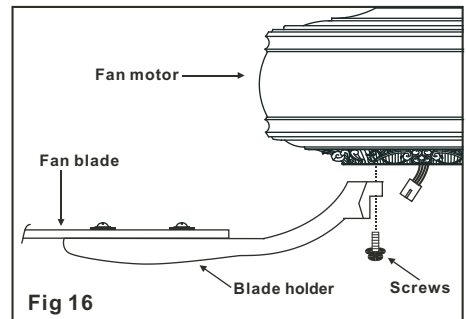
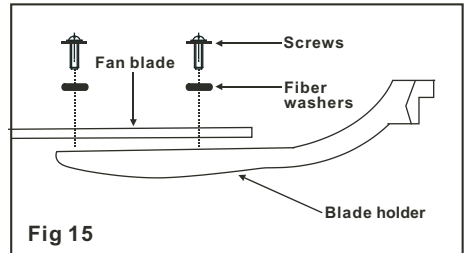
Note: adjust the canopy screws as needed until the canopy is snug. (Fig. 14)



7. ATTACHING THE FAN BLADES

Step 1. Attach the fan blades to the blade holders using the screws and fiber washers provided, tighten screws securely. (Fig. 15)

Step 2. Remove rubber stops from motor. Rotate motor so that the screw holes are revealed through the opening on switch cap plate. Align motor holes to blade holders and secure with screws provided, tighten screws securely. (Fig. 16)



9. OPERATING YOUR FAN

Restore power to ceiling fan and test for proper operation.

Speed settings for warm or cool weather depend on factors such as the room size. Ceiling height, number of fans, etc.

The Reverse switch is located on the switch cup. Slide the switch to the Left for warm weather operation. Slide the switch to the Right for cool weather operation.

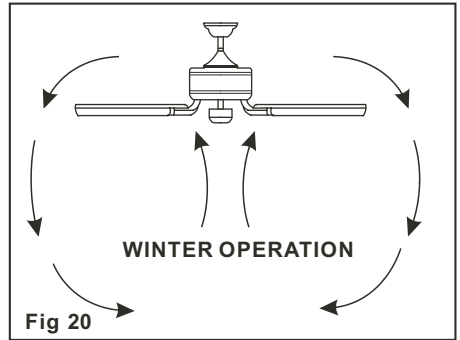
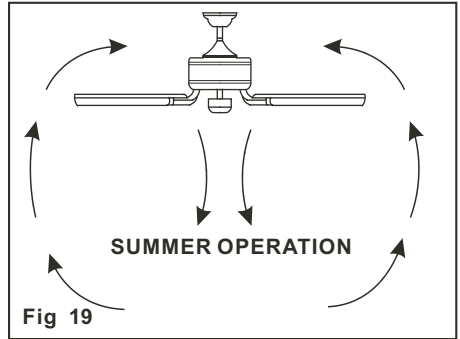
NOTE: Wait for fan to stop before changing the setting of the slide switch.

Warm weather - (Forward)

A downward airflow creates a cooling effect as shown in Fig. 19. This allows you to set your air conditioner on a warmer setting without affecting your comfort.

Cool weather - (Reverse)

An upward airflow moves warm air off the ceiling area as shown in Fig. 20. This allows you to set your heating unit on a cooler setting without affecting your comfort.



The pull chain controls the fan speed as follows:

1st pull	- High
2nd pull	- Med.
3rd pull	- Low
4th pull	- Off

CARE OF YOUR FAN 10.

Here are some suggestions to help maintain your fan.

1. Because of the fan's natural movement some connections may become loose. Check the support connections, brackets and blade attachments twice a year. Make sure they are secure. (It is not necessary to remove fan from the ceiling).

2. Clean your fan periodically to help maintain its new appearance over the years. Use only a soft brush or lint free cloth to avoid scratching the finish. Plated finishes are sealed with lacquer to minimize discoloration or tarnishing. Do not use water when cleaning, this could damage the motor, wood blades or possibly cause an electrical shock.

3. If your fan is provided with wood veneer blades; you can apply a light coat of furniture polish for additional protection and enhanced beauty. Cover small scratches with a light application of shoe polish.

4. Use a lint free lightly damp cloth or duster to remove dust from the blades.

5. There is no need to oil your fan. The motor has permanently lubricated bearings.

6. If your fan is provided with glass shades, clean with lukewarm soapy water and a soft cloth or sponge. **DO NOT IMMERSE GLASS SHADES IN HOT WATER. DO NOT PUT GLASS SHADES INTO AN AUTOMATIC DISHWASHER.**

WARNING!

Make sure the power is off at the electrical panel box before you attempt any repairs. Refer to the section, "Electrical Connections".

For any additional information about your minkaAire Ceiling fan, please write to;



1151 W. Bradford Court
Corona, CA 92882

For customer assistance call: 1-800-307-3267

11. TROUBLESHOOTING

Symptoms	Solution
Fan Will not Start	<ul style="list-style-type: none"> ● Check to make sure the wall switch is turned on. ● Check circuit fuses or breakers. <p>Caution! Make sure the power is turned off before performing the following steps;</p> <ul style="list-style-type: none"> ● Remove canopy and check wire connections. ● If using a remote controlled fan; check to see that the deep switches from transmitter and receiver are set to the same frequency code. ● Check wall control transmitter connections (if applicable).
Fans/Light Turn On and Off Unexpectedly	<ul style="list-style-type: none"> ● This is caused by interference, change the code frequency from the transmitter and receiver. Any code combination will operate the fan or light (remote controlled fans only).
Fan Sounds Noisy	<ul style="list-style-type: none"> ● Allow a 24-hour "break in" period. Most noises associated with a new fan will go away during this time. ● Make sure all blade attachment screws are tight. ● Make sure outlet box is secured to building structure, if necessary use the wood screws provided to further secure outlet box to joist. ● Make sure hanger bracket is secure to the outlet box, screws are tight.
Fan Wobble	<ul style="list-style-type: none"> ● NOTE: All blade sets are grouped by weight. Because wood and plastic blades vary in density, the fan may wobble even though blades are matched. ● Make sure all blade attachment screws are tight. ● Make sure outlet box is secured to building structure, if necessary use the wood screws provided to further secure outlet box to joist. ● Make sure hanger bracket is secure to the outlet box, screws are tight. ● Use the balancing kit provided if the wobble is excessive (follow instructions included with balancing kit)

12. SPECIFICATIONS


Fan Size	Speed	Volts	Amps	Watts	RPM	CFM	N.W.	G.W.	C.F.
52"	Low	120	0.26	14	70	2700			
	Medium	120	0.40	32	110	3800	11.9	13.0	1.99'
	High	120	0.59	71	170	6500	kgs	kgs	

These are typical readings and they do not include Amps and Wattage used by the light (s).

SPECIFICATIONS .12

Blade Span	FanSpeed	Volts	Amps	RPM's	N.W.	G.W.	C.F.
52"	Low	120	0.26	70	11.9 kgs	13.0 kgs	1.99'
	Med		0.40	110			
	High		0.59	170			

These are typical readings. Your actual fan may vary. They do not included amps or wattage used by the light kit.



PERFORMANCE AND ENERGY INFORMATION

Money Isn't All You're Savin

FAN SPEED	AIRFLOW (CFM)*	POWER USE (watts)	AIRFLOW EFFICIENCY (CFM/watt)
Low	1519.84	8.2	185.35
Medium	4027.19	32.9	122.41
High	6251.63	67.1	93.17

Ceiling fan airflow is measured in cubic feet per minute (CFM).
Power use is measured in watts. To maximize energy savings:

- Choose a fan with high airflow efficiency (CFM/watt).
- Use ENERGY STAR®-labeled lighting in your fan.
- Remember to switch off your fan when you leave the room.

*Measured according to the ENERGY STAR® approved Solid State test method

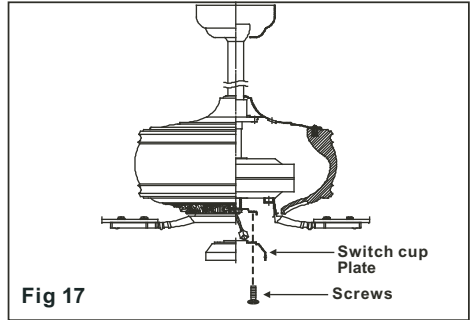
For any additional information about your minkaAire Ceiling fan, please write to;

minkaAire™ 1151 W. Bradford Court
Corona, CA 92882

For customer assistance call: 1-800-307-3267

SWITCH CUP INSTALLATION 8.

Step 1. Remove the screws from the motor housing, place the switch cup plate over the motor housing and align the holes. Secure in place with screws previously removed. (Fig. 17)



Step 2. Remove the screws from the switch cup plate. Place the switch cup close to the switch cup plate, align the plastic connectors from switch cup and the switch cup plate and firmly snap the two connectors. Assemble the switch cup to the switch cup plate by tightening the screws previously removed. (Fig. 18)

