

INSTALLATION INSTRUCTION FOR FIXTURE#1614

READ AND SAVE THESE INSTRUCTIONS

WARNING! SHUT POWER OFF AT FUSE OR CIRCUIT BREAKER.

ASSEMBLY THE FIXTURE (FIG. 1)

1. Shut off the power supply at the fuse box or circuit breaker. Remove the old fixture from ceiling, including the old cross bar.
2. Carefully unpack your new fixture and lay out all the parts in a clear area. Take care not to lose any small parts necessary for installation.
3. Thread the nipple (N) into the coupling (X) and secure with hex nut.
4. Insert the tube (O), cap (P), steel washer (Q), Plastic washer (R), glass shade (S), rubber washer (T) & steel washer (Y) over the nipple (N) in order, and secure with hex nut (U).
5. Insert the cap (V) over the nipple (N) and secure with finial (W).
6. Put the glass diffuser (L) over the screw (M) and secure with plastic washer (K) and ball nut (J) well.
7. Assemble the extension rod (G) together using the nipple (H), then assemble the bottom end of the extension rod (G) onto the nipple (I) tightly.
8. Put the ring (E) onto the top end of the extension rod (G) and secure by threading the loop (F) on.
(Remark: there is one piece 11" L. chain included in the hardware bag. You could add the chain on to increase the fixture height if needed)
9. Install the bulbs in accordance with the fixture's specifications. **DO NOT EXCEED THE MAXIMUM WATTAGE RATING!**

MOUNTING THE FIXTURE

10. Attach the mounting plate (B) to the outlet box using the outlet box screws (A). The side of the mounting bar marked "GND" must face out.
11. Follow the wiring instructions carefully (See Fig.2).
12. Attach the fixture main body onto the mounting plate (B) by attaching the ceiling canopy (D) onto the mounting plate (B) using the mounting screw (C).

Wiring (See fig.2)

1. Connect the electrical wires as follows. Connect the black wire from the fixture to the black (HOT) house wire. Connect the white wire from the fixture to the white (Neutral) house wire. Make sure all the wire nuts were secured. You may wrap the connections with electrical tape. If your outlet box has a ground wire (Green or Bare Copper) connect fixture's ground wire to it. Other wise attach the bare copper fixture wire to the green ground screw on the mounting bar.
2. Tuck the wire connections neatly into the ceiling junction box.

Your installation is now complete. Turn on the power supply of the junction box to test the fixture.

Fig.1

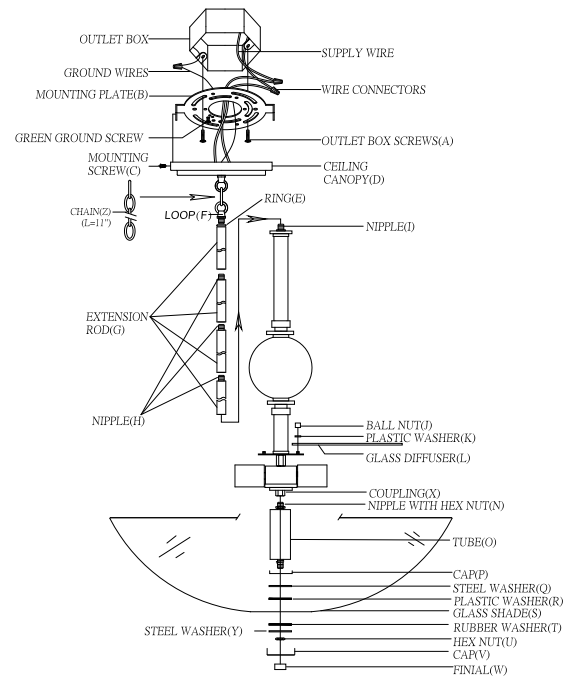


Fig .2

<p>FIXTURE WIRES Black or Smooth</p>	<p>FIXTURE WIRES White or Ribbed</p>	<p>FIXTURE WIRES Bare Copper (Ground)</p>
<p>HOUSE WIRES Black (Hot)</p>	<p>HOUSE WIRES White (Neutral)</p>	<p>HOUSE WIRES Green (Ground)</p>



Notice: It is important to use proper chain pliers (not included) to OPEN and CLOSE the chain included with this fixture. Do not open them with other tools that may twist or stress the chain links. It is important to use proper chain pliers like the ones shown in the diagram.

