

# INSTALLATION INSTRUCTION FOR 4175

**WARNING! SHUT POWER OFF AT FUSE OR CIRCUIT BREAKER .**  
**AVERTISSEMENT! COUPER LE COURANT AU NIVEAU DES FUSIBLES OU DUDISJONCTEUR.**

READ AND SAVE THESE INSTRUCTIONS

## ASSEMBLING THE FIXTURE (Fig. 2)

1. Carefully remove the fixture from the carton and check that all parts are included as shown in the illustration.
2. Shut off the power at the circuit breaker and remove old fixture, including the mounting hardware.
3. Thread the center column assembly nipple (K) through the cap (L) onto the coupling (M) and secure with the nipple (K).

## HANGING THE FIXTURE (Fig. 1)

4. Shut off the power at the circuit breaker and remove old fixture from ceiling, including the mounting bar.
5. Thread the nipple (E) into the ceiling loop (H) until snug.
6. Thread hex nut (D) onto nipple (E). Place lock washer (C) over end of nipple (E)
7. Thread other end of nipple (E) with loop attached into mounting bar (A) until snug.
8. Take this mounting bar (A) assembly and mount to ceiling junction box with mounting screws (B) (Size:#8-32\*0.6"L). The side of the mounting bar marked "GND" must face out.
9. Using proper chain pliers open one link of chain (I) and connect it to the fixture loop (J).
10. By measuring, determine connect number of links needed for desired hanging height.
11. Lace the fixture wires through the chain links, Slip screw collar ring (G) and the canopy (F) over the chain, then do the same with the canopy (F).
12. Open one link of the other end of the chain (I) and connect it to the ceiling loop (H).
13. Feed the fixture wires through the ceiling loop (H) and nipple (E) and pull until taut.

## CONNECTING THE WIRES (Fig. 3)

14. At this point, connect the electrical wires as shown in Fig. 3, making sure that all wire connectors are secured. If your outlet box has a ground wire (green or bare copper), connect the fixture's ground wire directly to the mounting plate using the green screw provided. After the wires are connected, tuck them carefully inside the outlet box.

## COMPLETING THE INSTALLATION (Fig.2)

15. Tuck these wire connections neatly into the ceiling junction box and then raise the canopy (F) all the way to the ceiling. Raise the screw collar ring (G) and thread onto ceiling loop (H) protruding through canopy (F). (Fig.1)
16. Place the glass shade (O) and cup (P) over the socket (N) and secure with the retaining ring (Q) by wrench (R).
17. Install the light bulb(s) in accordance with the fixture's specification.

**DO NOT EXCEED THE SPECIFIED WATTAGE!**  
**(NE PAS DEPASSER LA PUISSANCE NOMINALE MAXIMALE!)**

Your installation is now complete. Return the power to the junction box and test the fixture.

Fig.1

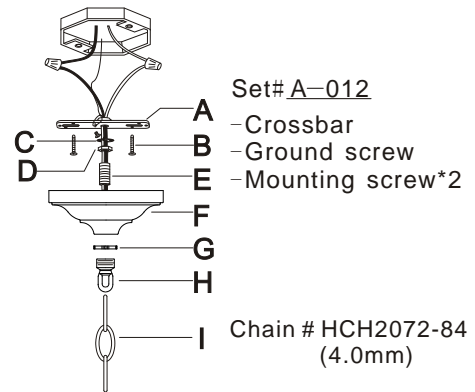


Fig.2

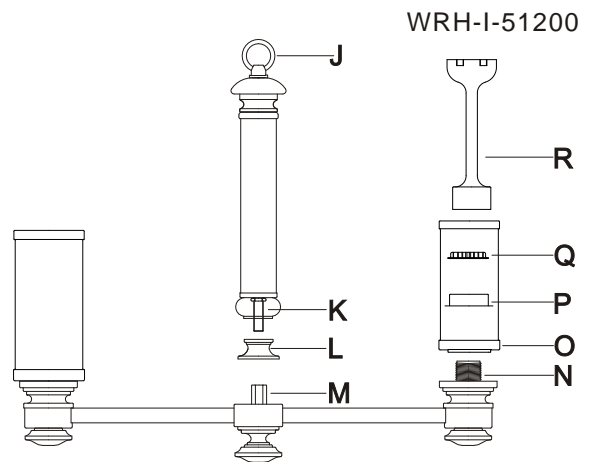
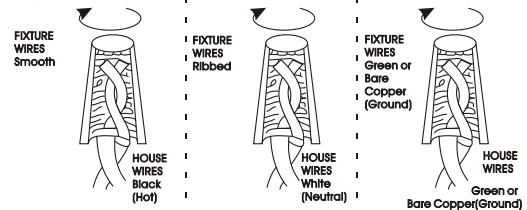


Fig.3



Notice: It is important to use proper chain pliers (not included) To OPEN and CLOSE the chain included with this fixture. Do not open them with other tools that may twist or stress the chain links. It is important to use proper chain pliers like the ones shown in the diagram.

