

INSTALLATION INSTRUCTION FOR 4954

WARNING! SHUT POWER OFF AT FUSE OR CIRCUIT BREAKER .
AVERTISSEMENT! COUPER LE COURANT AU NIVEAU DES FUSIBLES OU DU DISJONCTEUR.

READ AND SAVE THESE INSTRUCTIONS

ASSEMBLING THE FIXTURE (Fig. 2)

1. Shut off the power at the circuit breaker and remove the old fixture, including the mounting hardware.
2. Carefully remove the fixture from the carton and check that all parts are included as shown in the illustration.
3. Thread the center pipe (Q) onto the nipple (R) and center pipe (O) onto the nipple (P).
4. Thread the nipple (N) into the center pipe (O).
5. Place the coupling (M) and tube (L) over the nipple (N), then secure with the loop (K).
6. Secure the top of the arms (S) to the coupling (M) with the screws (T).
7. Secure the lower end of the arms (S) to the fixture arm (U) with the screws (V).

HANGING THE FIXTURE (Fig. 1)

8. Thread the nipple (E) into the ceiling loop (G) until snug.
9. Thread the hex nut (D) onto the nipple (E). Place the lock washer (C) over end of the nipple (E).
10. Thread other end of the nipple (E) with the loop into the crossbar (A) until snug.
11. Take this crossbar (A) assembly and mount to ceiling junction box with the mounting screws (B) (Size: #8-32*0.6"L). The side of the mounting bar marked "GND" must face out.
12. Connect quick link (J) to end of chain (I), then connect quick link (J) to fixture loop (K).
13. By measuring, determine connect number of links needed for desired hanging height.
14. Lace the fixture wires through the chain links, slip screw collar ring (H) and canopy (F) over the chain.
15. Open one link of the other end of the chain (I) and connect it to the ceiling loop (G).
16. Feed the fixture wires through the ceiling loop (G) and the nipple (E) and pull until taut.

CONNECTING THE WIRES (Fig. 3)

17. At this point, connect the electrical wires as shown in Fig. 3 making sure all wire connectors are secured. If your outlet box has a ground wire (green or bare copper) connect fixture's ground wire to it. Otherwise connect fixture's ground wire directly to the crossbar (A) using the green screw provided. After the wires are connected, tuck them neatly inside the junction box.
18. Raise the canopy (F) all the way to the ceiling.
19. Raise the screw collar ring (H) and thread onto ceiling loop (G) protruding through canopy (F). (Fig.1)
20. Place the glass shade (X) and cup (Y) over the socket (W) and secure with the socket ring (Z) by wrench (A1).
21. Install the light bulbs in accordance to the fixture's specifications (**DO NOT EXCEED THE SPECIFIED WATTAGE!**) (**NE PAS DEPASSER LA PUISSANCE NOMINALE MAXIMALE!**)

Your installation is now complete. Return the power to the junction box and test the fixture.

Fig.1

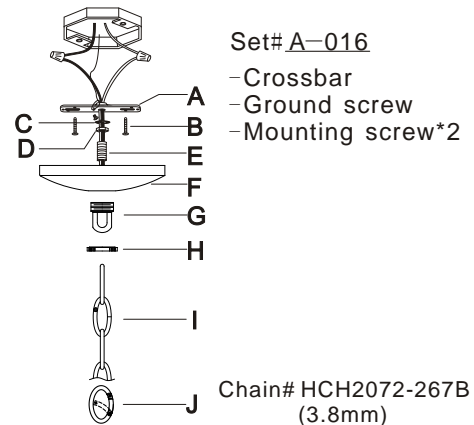


Fig.2

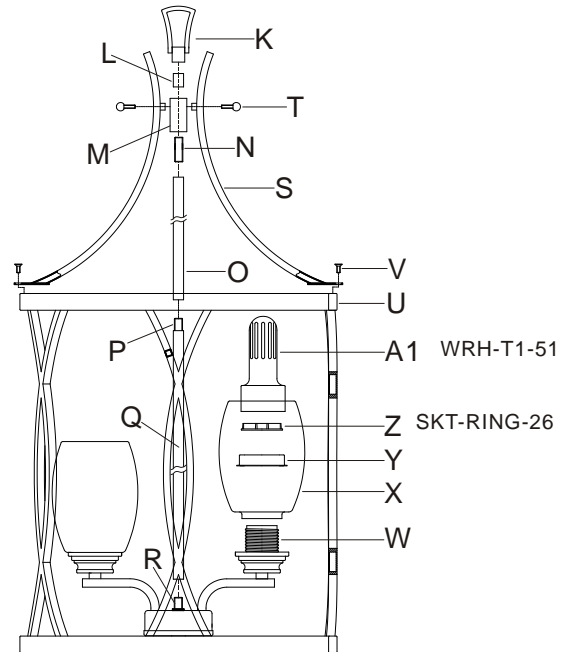
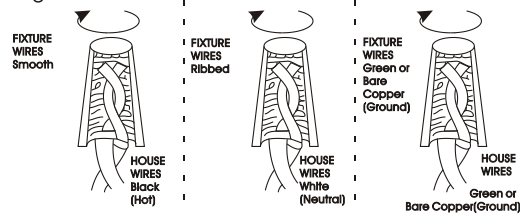


Fig.3



Notice: It is important to use proper chain pliers (not included) To OPEN and CLOSE the chain included with this fixture. Do not open them with other tools that may twist or stress the chain links. It is important to use proper chain pliers like the ones shown in the diagram.