

WARNING: SHUT POWER OFF AT FUSE OR CIRCUIT BREAKER .
AVERTISSEMENT: COUPER LE COURANT AU NIVEAU DES FUSIBLES OU DU DISJONCTEUR.

HANGING THE FIXTURE (Fig. 1)

1. Shut off the power at the fuse box or circuit breaker. If necessary, remove the old fixture, including the mounting hardware.
2. Carefully unspike the new fixture and lay out all the parts on a clear area. Take care not to lose any parts necessary for installation.

SUGGESTED INSTALLATION (Fig. 2)

3. Attach the mounting plate (A) to the junction box using screws (B) (Size: #6-32*1 1/4"). The side of the mounting plate marked "GND" must face out.
4. Determine the desired hanging height and thread rods (F1, F2) to fixture body (G), determine correct number of links of the chain (E) needed for proper hanging height. Using proper chain pliers disconnect and discard remaining chain. Pass the wires carefully through each rod and the chain (E) as you assemble.
5. Feed wire through the canopy (C), connecting canopy (C) to part (F1) and turn clockwise until firmly tightened.

CONNECTING THE WIRES (Fig. 3)

6. At this point, connect the electrical wire as shown in figure 3, making sure that all wire connectors are secured. If your outlet box has a ground wire (green or bare copper), connect the fixture's ground wire to it. Otherwise connect fixture's ground wire directly to the mounting plate with the ground screw (Size: #6-32*3/8"). provided. After wires are connected, make them carefully into the ceiling junction box.

COMPLETING THE INSTALLATION (Fig. 4)

7. Place the canopy (C) over the mounting plate (A) and secure it with the brass ball (D).
8. Attach the glass shade (F), the ring (I) and the socket ring (H) onto the socket of the fixture body (G), then securely tighten the socket ring (H) using the wrench (G). (The wrench (G) is a tool, when the installation is complete, it must be removed.)
9. Install the light bulbs (not included) in accordance with the fixture's specifications: **DO NOT EXCEED THE MAXIMUM WATTAGE RATING (NE PAS DEPASSER LA RISSANCE NOMINALE MAXIMALE)**
10. Hang the rod(s) (L) to the loop on the front of the fixture body (G).



Fig 1

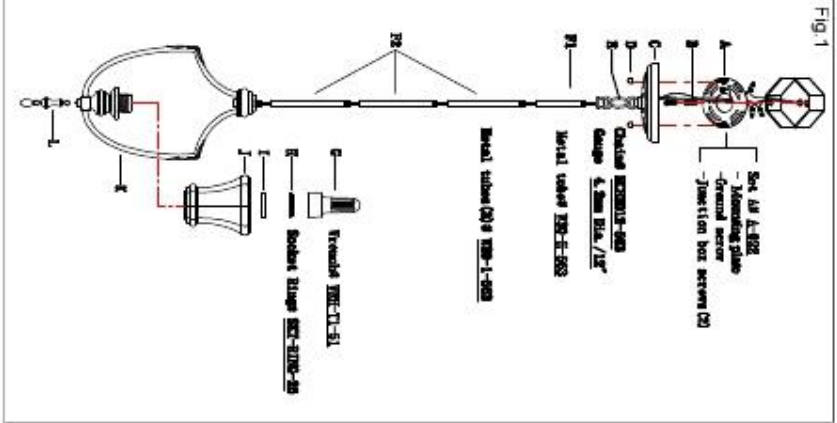
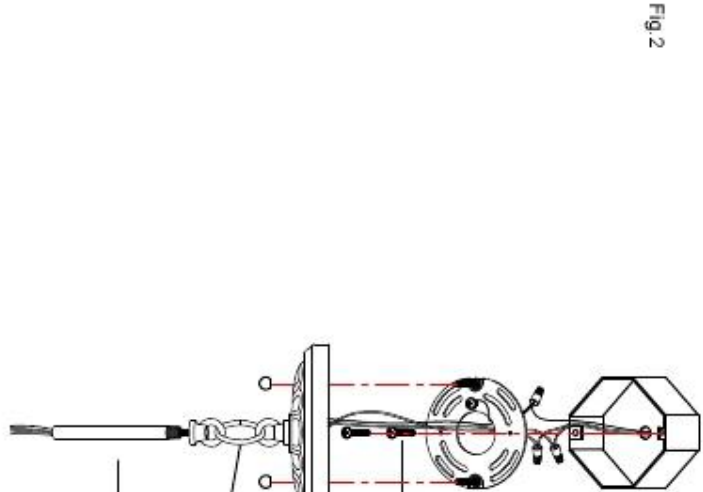
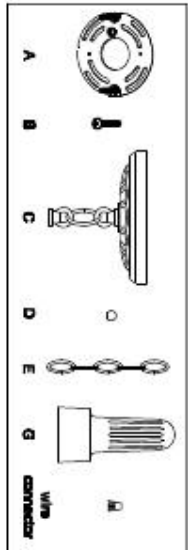


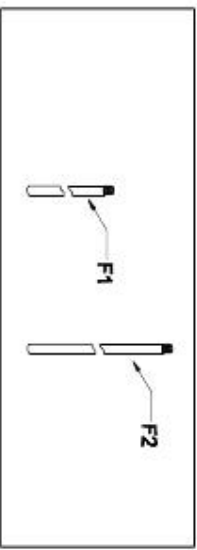
Fig 2



- a. Hardware Bag:
- A. Mounting Strap*1
 - B. Screw*2
 - C. Canopy*1
 - D. Brass Ball*2
 - E. Chain 12"*1
 - G. Wrench*1
 - Wire Connector*3



- b. Hardware Bag:
- F1. ROD 6"*1
 - F2. ROD 12"*3



CHAIN HUNG FIXTURE INSTRUCTION
 Notice: It is important to use proper chain pliers (not included). To OPEN and CLOSE the chain included with this fixture. Do not open them with other tools that may twist or stress the chain links. It is important to use proper chain pliers like the ones shown in the diagram.

