

INSTALLATION INSTRUCTIONS

09/05/2006

WARNING! SHUT POWER OFF AT FUSE OR CIRCUIT BREAKER.

HANGING THE FIXTURE (Fig. 1)

1. Carefully remove the fixture from the carton and check that all parts are included as shown in the illustration.
2. Shut off power at the circuit breaker and remove old fixture including the crossbar.
3. Attach the Circular Strap (I) to the Outlet Box using the two screws (H). The side of the Circular strap marked "GND" must face out.

CONNECTING THE WIRES (Fig. 2)

4. At this point, connect the electrical wire as shown in figure 2, making sure that all wire connectors are secured. If your outlet has a ground wire (green or bare copper), connect the fixtures Ground Wire to it. Otherwise, connect the fixture Ground Wire directly to the crossbar using the Green Screw provided.
5. Thread the two Threading Studs (G) into the predrilled holes in the Circular Strap (I) spaced the same distance apart as the hole in the canopy.

FINISHING THE INTALLATION (Fig. 1)

6. Secure the Canopy (A) by placing it over Threading Studs (G) and secure against ceiling with Knurled Knobs (K).
7. Attach Nipple (B) to the bottom of Socket Cluster then thread Washer (C) at the bottom end of Nipple (B).
8. Install the light bulb in accordance with the fixture's specifications. **(DO NOT EXCEED THE MAXIMUM WATTAGE RATING!)**
9. Place Glass Shade (D) over Nipple (B) and secure with Bottom Cap (E) and tighten with Finial (F).

Your installation is now complete. Return power to the junction box and test the fixture.

Note: Illustration (Fig. 1) on this manual is for installation purposes only. It may or may not be identical to the fixture purchased.

Fig. 1

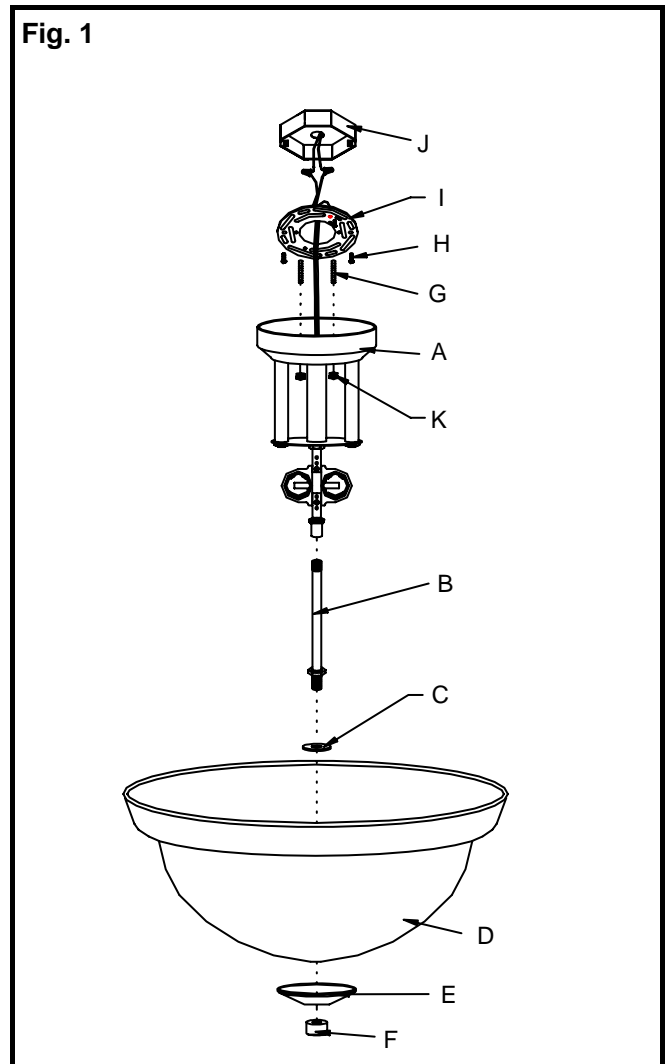
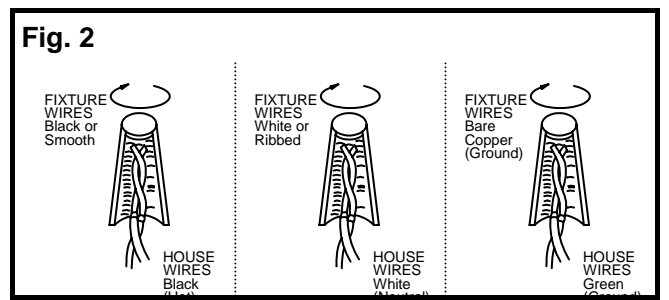


Fig. 2



LA-748E-A