

INSTALLATION INSTRUCTION FOR 5420

For Wall Mount Light Fixtures

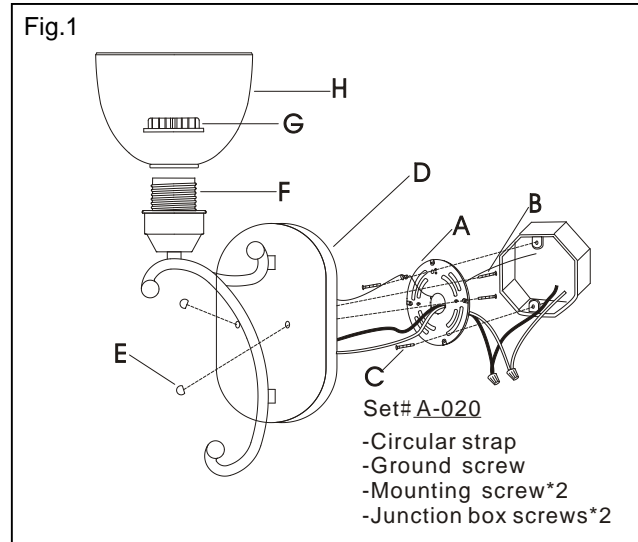
WARNING! SHUT POWER OFF AT FUSE OR CIRCUIT BREAKER .
AVERTISSEMENT! COUPER LE COURANT AU NIVEAU DES FUSIBLES OU DU DISJONCTEUR.

PREPARATION

1. Shut off the power at the fuse box or circuit breaker. If necessary, remove the old fixture and all mounting hardware from wall junction box.
2. Carefully unpack your new fixture and lay out all the parts on a clear area. Take care not to lose any small parts necessary for installation.

MOUNTING THE FIXTURE (Fig.1)

3. The circular strap (A) contains several pairs of threaded holes, Find the pair of holes that match the hole spacing in your fixture canopy (D) and thread the two mounting screws (B) (Size:#8-32*1.1"L) part way into the circular strap (A). Secure the circular strap (A) to the junction box (not provided) with the junction box screws (C) (Size:#8-32*0.6"L) through slotted holes in circular strap.



CONNECTING THE WIRES (Fig. 2)

4. Connect the fixture wires to the junction box wires as shown in Fig. 2. Make sure all wire connectors are secure and do not easily pull off with a slight tug. If there is no green ground wire from the junction box, connect the fixture ground wire to the circular strap with the green screw provided. Tuck these wire connections neatly into the wall junction box.

COMPLETING THE INSTALLATION

5. Raise the mounting back plate (D) allowing for the mounting screws (B) to protrude through the holes on mounting back plate (D), and then secure with finials (E).
6. Place the glass (H) over the socket (F) and secure with the socket ring (G).
7. Install the light bulb(s) (not included) in accordance with the fixture's specifications. **(DO NOT EXCEED THE SPECIFIED WATTAGE!) (NE PAS DEPASSER LA PUISSANCE NOMINALE MAXIMALE!).**

Your installation is now complete. Return power to the junction box and test the fixture.

