

INSTALLATION INSTRUCTIONS

Item#6448-PL (New. 06/07/2012)

READ AND SAVE THESE INSTRUCTIONS

WARNING! SHUT POWER OFF AT FUSE OR CIRCUIT BREAKER.

AVERTISSEMENT! COUPER LE COURANT AU NIVEAU DES FUSIBLES OU DU DISJONCTEUR.

MOUNTING THE BACKPLATE (Fig.1)

1. Shut off the power at the circuit breaker and remove old fixture, including the crossbar.
2. Carefully unpack your new fixture and lay out all the parts on a clear area. Take care not to lose any small parts necessary for installation.
3. Attach the Crossbar (A) to the junction box using two Junction Box Screws (B). The side of the Crossbar marked "GND" must face out.
4. Thread the Nipple (C) part way into the center hole of the Crossbar (A).

CONNECTING THE WIRES (Fig. 2)

5. At this point, connect the electrical wires as follows: Connect the black wire from the fixture to the black house (hot) wire. Connect the white wire from the fixture to the white (neutral) house wire; Make sure all wire nuts are secured. You may wrap the connections with electrical tape. If you outlets have a ground wired (green or bare copper) connect fixture's ground wire to it. Otherwise connect fixture's ground wire directly to the crossbar using the green screw provided.

MOUNTING FIXTURE AND SHADE (Fig.1)

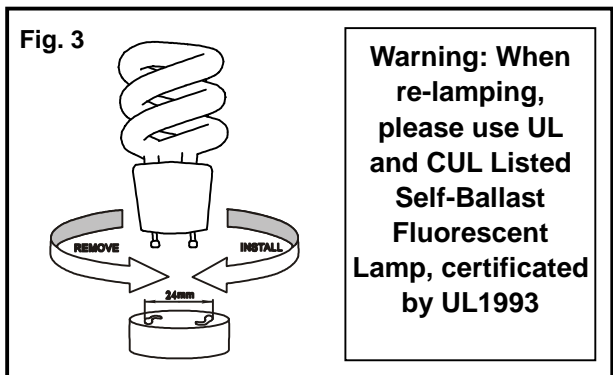
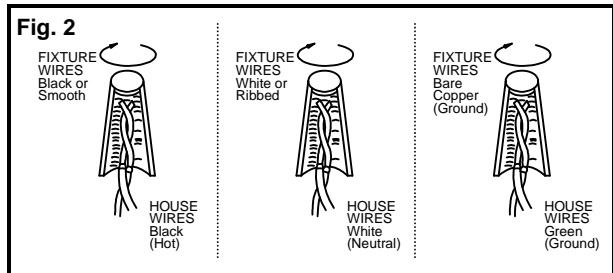
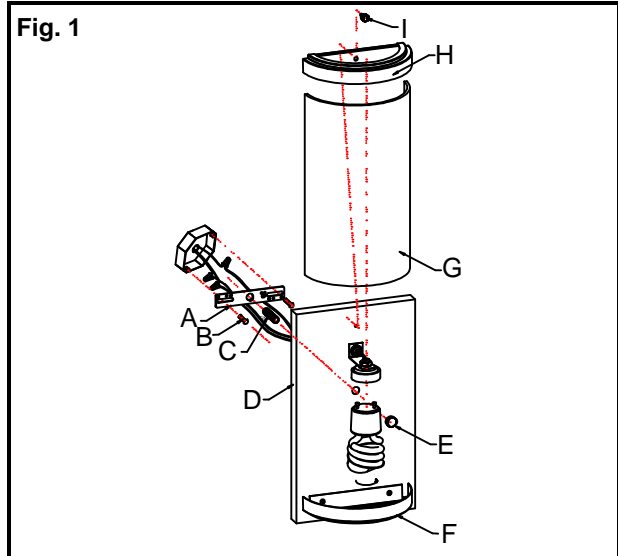
6. After the wires are connected, carefully tuck them inside the junction box as you place the Back plate (D) over the Nipple (C). Secure the Back plate (D) against the wall using Knurled Cap (E).
7. Install the CFL bulb (included) into socket in accordance with the fixture's specification. (**DO NOT EXCEED THE SPECIFIED WATTAGE!**) (**NE PAS DEPASSER LA PUISSANCE NOMINALE MAXIMALE!**)
8. The ballast in each of these models can be replaced by a qualified electrician without cutting of wires and without damage to the housing, trim, decorative elements or carpentry to which the fixture is attached. The ballast and lamp are combined, to replace or install, twist pins into socket as shown Fig 3.
9. Place the Glass shade (G) onto the Support plate (F).
10. Place the Decorative plate (H) over the Glass shade (G) and secure with the Screw (I) to the Back plate (D).

Your installation is now complete. Return power to the junction box and test the fixture.

Note: Illustration (Fig. 1) on this manual is for installation purposes only. It may or may not be identical to the fixture purchased.

The color correlated Temperature (CCT) for replacing the enclosed lamp is (2700K).

Caution: CFLs contain Mercury (Hg) Dispose of according to Local, State and Federal Law. (www.epa.gov/bulbrecycling)



LA-1712E