

# INSTALLATION INSTRUCTIONS

Item#6270 (New. 09/14/2012)

## READ AND SAVE THESE INSTRUCTIONS

**WARNING! SHUT POWER OFF AT FUSE OR CIRCUIT BREAKER.**

**AVERTISSEMENT! COUPER LE COURANT AU NIVEAU DES FUSIBLES OU DU DISJONCTEUR.**

### MOUNTING THE FIXTURE (Fig. 1)

1. Shut off the power at the fuse box or circuit breaker. If necessary remove the old fixture from the ceiling, including the mounting hardware.
2. Carefully remove the new fixture from the carton and check that all parts are included as shown in the illustration.
3. Thread the screws (D) into the pre-drilled holes in the circular strap (B) spaced the same distance apart as the holes in the top plate of fixture body (G); then secure them with the hex nuts (E).
4. Attach the circular strap (B) to the junction box with the mounting screws (C) (Size: #8-32N\*L0.5"). The side of the circular strap marked "GND" must face out.

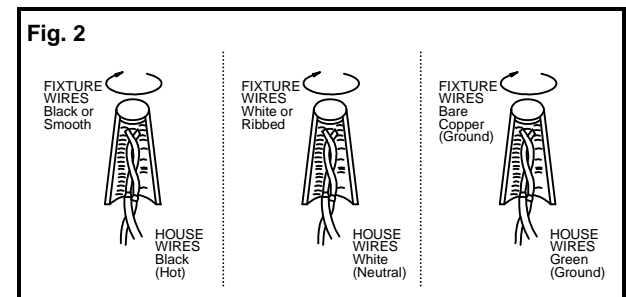
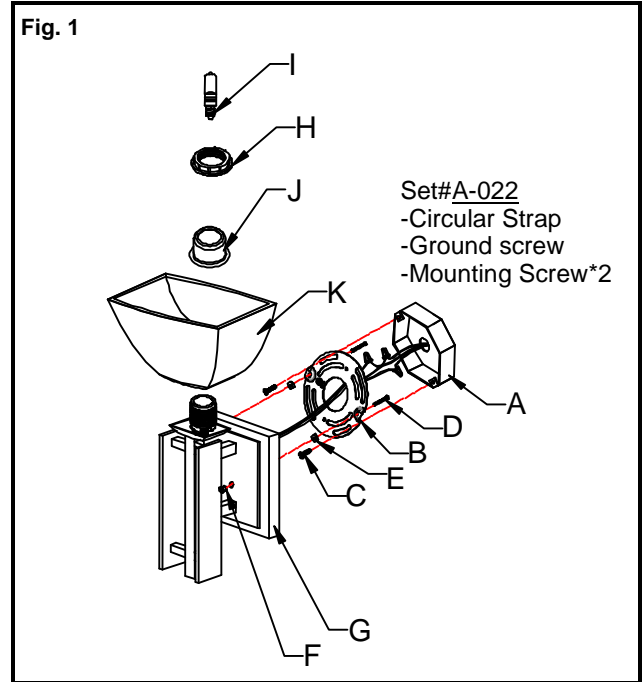
### CONNECTING THE WIRES (Fig. 2)

5. Connect the electrical wires as shown in Fig. 2, making sure that all wire connectors are secured. If your outlet has a ground wire (green or bare copper), connect the fixture's ground wire to it. Otherwise, connect the fixture's ground wire directly to the crossbar using the green screw provided. After wires are connected, tuck them carefully into the outlet box.

### FINISHING THE INSTALLATION (Fig. 1)

6. Place fixture body (G) onto the two screws (D) and secure with cap nuts (F).
7. Place the glass shade (K) and Metal Ring (J) over the socket and secure with screw shell (H).
8. Install the light bulb(s) (included) in accordance with the fixture's specifications. **(DO NOT EXCEED THE MAXIMUM WATTAGE RATING!). (NE PAS DEPASSER LA PUISSANCE NOMINALE MAXIMALE!)**

Your installation is now complete. Return power to the outlet box and test the fixture.



**Note: Illustration (Fig.1) on this manual is for installation purposes only. It may or may not be identical to the fixture purchased.**

