

INSTALLATION INSTRUCTIONS FOR 5206-290
For Wall Mount Fixture

**WARNING! SHUT POWER OFF AT FUSE OR CIRCUIT BREAKER .
AVERTISSEMENT! COUPER LE COURANT AU NIVEAU DES FUSIBLES OU DU DISJONCTEUR.**

MOUNTING THE FIXTURE

INSTALLATION(Fig.1)

1. Shut off the power at the circuit breaker and remove the old fixture from ceiling, including the old crossbar.
2. Carefully unpack the new fixture and lay all the parts on a clear surface.
3. Attach the crossbar to the junction box using two junction box screws (Size: #8-32*1"L). The side of the crossbar marked "GND" must face out.
4. Thread the nipple part way into the center hole of the crossbar and secure with hex nut.
5. Follow wiring instructions carefully (see fig 2)
6. Place the fixture body (E) over the nipple, then tighten it with the cap nut (D).
7. Put the tube (B) through the plastic washer (A) and the hole of the glass shade (C) then twist the end of the tube (B) to making them fast and hard.
8. Place the glass shade (C) onto the fixture body (E), and put the tube (B) onto the two brackets.
9. Put the decoration (G) to the fixture body (E), aligning the hole with the pipe nipple (F), then lock it with the nut (H).
10. Attach the finial base (I) to the end of pipe nipple (F) and then tighten it firmly with the finial (J).
11. Install the light bulb (not included) in accordance with the fixture's specifications: **DO NOT EXCEED THE MAXIMUM WATTAGE RATING! (NE PAS DEPASSER LA PUISSANCE NOMINALE MAXIMALE!)**

WIRING (Fig.2)

1. Connect the electrical wires as follows. Connect The black wire from the fixture to the black house (hot) wire. Connect the white wire from the fixture to the white (neutral) house wire. Make sure all wire nuts are secured. You may wrap the connections with electrical tape. If your outlet box has a ground wire (green or bare copper) connect fixture's ground wire to it. Otherwise attach the bare copper fixture wire to the green ground screw (Size: #8-32*3/8"L) on the crossbar.
2. Tuck the wire connections neatly into the wall junction box.

Fig.1

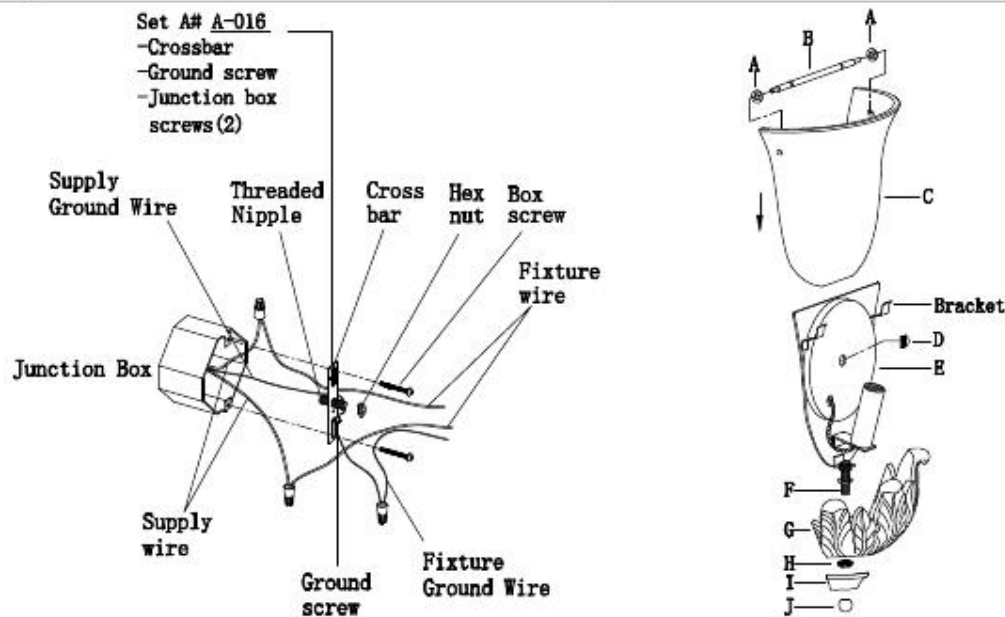
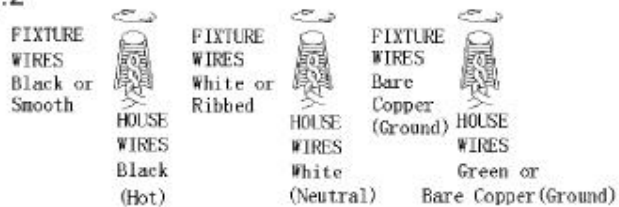


Fig.2



MIN 75°C SUPPLY CONDUCTOR

