

INSTALLATION INSTRUCTION

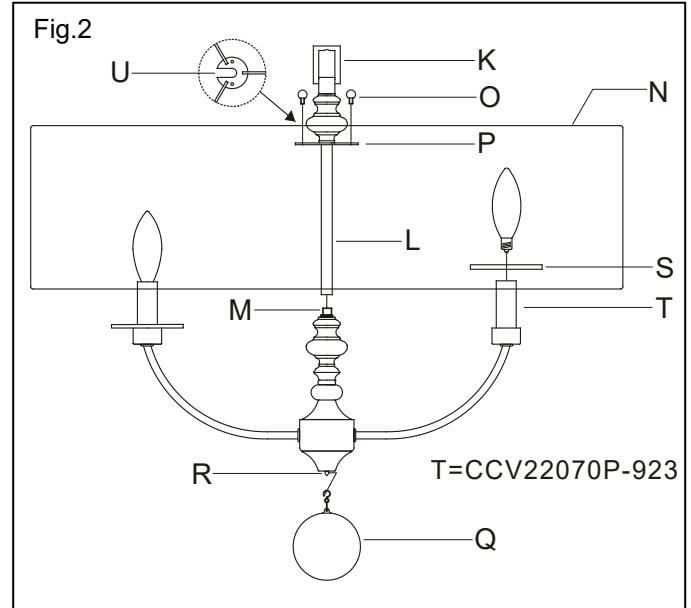
Item# 3485/3487

READ AND SAVE THESE INSTRUCTIONS

**WARNING! SHUT POWER OFF AT FUSE OR CIRCUIT BREAKER .
AVERTISSEMENT! COUPER LE COURANT AU NIVEAU DES FUSIBLES OU DU DISJONCTEUR.**

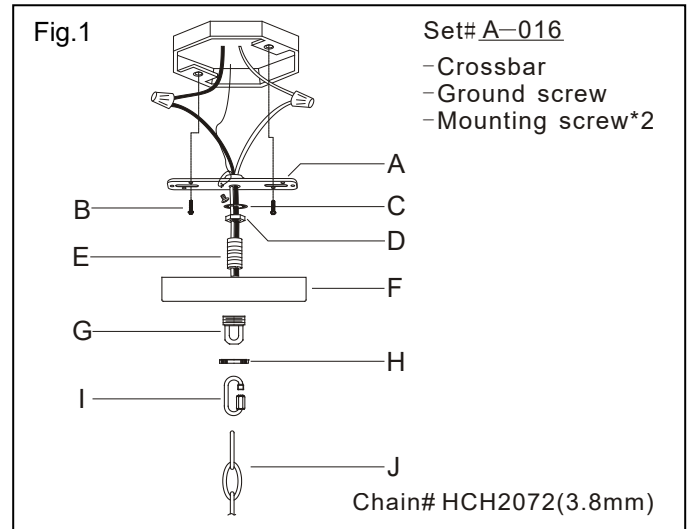
ASSEMBLING THE FIXTURE (Fig. 2)

1. Shut off the power at the circuit breaker and remove the old fixture, including the mounting hardware.
2. Carefully remove the fixture from the carton and check that all parts are included as shown in the illustration.
3. Place the center column assembly (L) along with wire and thread onto all thread (M).
4. Secure connector (U) of shade (N) on the round iron plate (P) with screws (O).
5. Slip center hole of decorative glass (S) over candle sleeve (T).



HANGING THE FIXTURE (Fig. 1)

6. Thread all thread (E) into ceiling loop (G) until snug.
7. Thread hex nut (D) onto all thread (E). Place lock washer (C) over end of all thread (E).
8. Thread the other end of all thread (E) with the loop into crossbar (A) until snug. The length of all thread (E) into crossbar (A) may be adjusted if necessary.
9. Take crossbar (A) assembly and mount to ceiling junction box (Not included) with the mounting screws (B) (Size: #8-32*0.6"L). The side of the crossbar marked "GND" must face out.
10. Using proper chain pliers open one link of chain (J) and connect it to the fixture loop (K).
11. By measuring, determine connect number of links needed for desired hanging height.
12. Lace the fixture wires through the chain links, slip screw collar ring (H) and canopy (F) over the chain (J).
13. Use quick link (I) to connect ceiling loop (G) and the top of chain (J).
14. Feed the fixture wires through the ceiling loop (G) and all thread (E) and pull until taut.

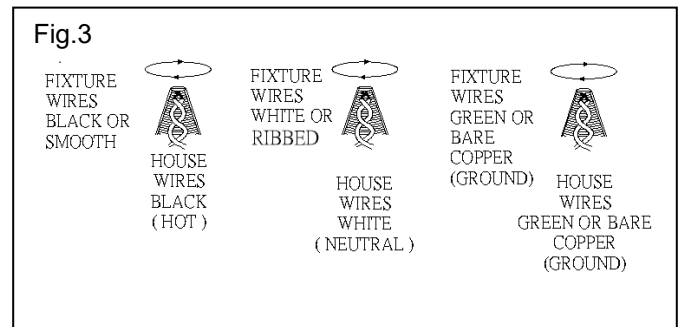


CONNECTING THE WIRES (Fig. 3)

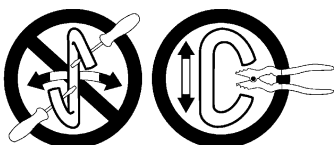
15. Connect the electrical wires as shown in Fig.2. Making sure that all wire connectors are secured. If your junction box has a ground wire (green or bare copper), connect the ground wires to it. Otherwise, connect the ground wire directly to the crossbar (A) using green screw provided.
16. After the wires are connected, tuck them neatly inside the junction box.

COMPLETING THE INSTALLATION (Fig. 1)

17. Thread all thread (E) into ceiling loop (G) until snug.
18. Raise the collar ring (H) and thread onto ceiling loop (G) protruding through canopy (F). (Fig.1)
19. Attach glass ball (Q) to the hole (R) from the bottom of frame.
20. Install (5) five candelabra base bulbs for 3485 or (6) six candelabra base bulbs for 3487 up to 60 watts each or CFL or LED equivalent (Not included) in accordance with the fixture specification. **(DO NOT EXCEED THE SPECIFIED WATTAGE!) (NE PAS DEPASSER LA PUISSANCE NOMINALE MAXIMALE!)**



Your installation is now complete. Return the power to the junction box and test the fixture.



Notice: It is important to use proper chain pliers (not included) To OPEN and CLOSE the chain included with this fixture. Do not open them with other tools that may twist or stress the chain links. It is important to use proper chain pliers like the ones shown in the diagram.

