

# INSTALLATION INSTRUCTIONS

Item# 3486

## READ AND SAVE THESE INSTRUCTIONS

**WARNING! SHUT POWER OFF AT FUSE OR CIRCUIT BREAKER .**  
**AVERTISSEMENT! COUPER LE COURANT AU NIVEAU DES FUSIBLES OU DU DISJONCTEUR.**

### PREPARATION

1. Shut off the power at the fuse box or circuit breaker box. If necessary, remove the old fixture and all mounting hardware from junction box.
2. Carefully unpack your new fixture and lay out all the parts on a clear area. Take care not to lose any parts necessary for installation.

### ASSEMBLING THE FIXTURE (Fig.1)

3. Install cross tube (S) to fabric shade (T), and secure with screws (U).
4. Slip center rods (W) along with wire and thread onto all thread (X).
5. Thread all thread (V) into the center rods (W).
6. Slip the holes of cross tube (S) over all thread (V), and secure with couplings (R).
7. Determine desired hanging height and thread rods (N, O, P, Q) to couplings (R). Pass wires carefully through each rod.
8. Thread swivels (M) into rod (N).
9. Insert all thread of swivels (M) into the holes on canopy (K). Then place metal plate (J), support cable (I) and lock washers (H) over all thread and secure with hex nuts (G).
10. Slip center hole of decorative glass (A1) over candle sleeve (B1).

### MOUNTING THE FIXTURE (Fig.1)

11. Position the mounting plate (B) on the ceiling and mark location of the two mounting holes. Drill the holes on the ceiling and insert plastic anchors (Y). Attach mounting plate (A) to the outlet box (Not included) using junction box screws (E) (Size: #8-32\*0.6"L), then secure the junction box with wood screws (D) (Size: M5x1.5"L) into plastic anchors (A) in the ceiling. Make sure the side of mounting plate marked "GND" must face out.
13. Pull house wires through center hole in mounting plate (B).
14. The support cable is provided to support the weight of the fixture while wiring. Attach the hook (F) on the end of the support cable to the mounting plate (B). Carefully allow the support cable to support the weight of the fixture while wiring.

### CONNECTING THE WIRES (Fig.2)

15. Connect the electrical wires as shown in Fig.2. Making sure that all wire connectors are secured. If your junction box has a ground wire (green or bare copper), connect ground wires to it. Otherwise, connect ground wire directly to the mounting plate (B) and secure using green screw provided.
16. Tuck wire connectors neatly into the junction box.

### COMPLETING THE INSTALLATION (Fig. 1)

17. Place canopy (K) to the mounting plate (B) and secure with cap nuts (L).
18. Attach glass balls (Z) to the hole (Y) on the bottom of frame.
- 19.
20. Install (6) six candelabra base bulbs up to 60 watts each or CFL or LED equivalent (not included) in accordance with the fixture specification. **(DO NOT EXCEED THE SPECIFIED WATTAGE!) (NE PAS DEPASSER LA PUISSANCE NOMINALE MAXIMALE!)**

Fig.1

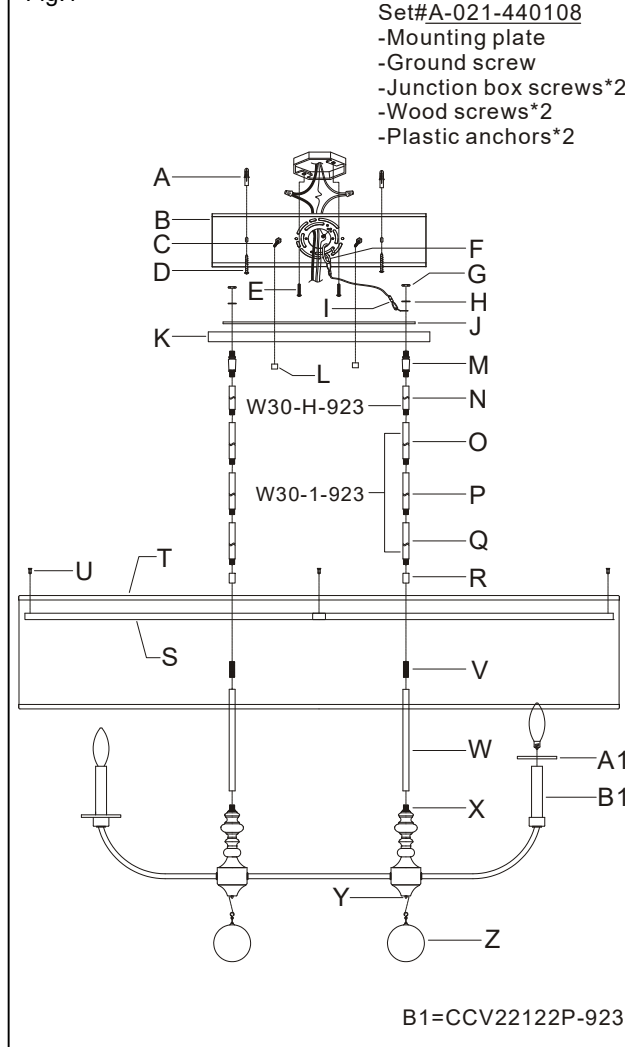
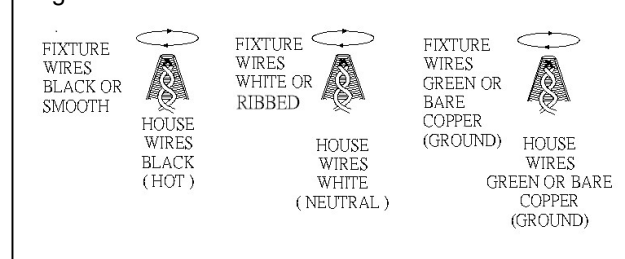
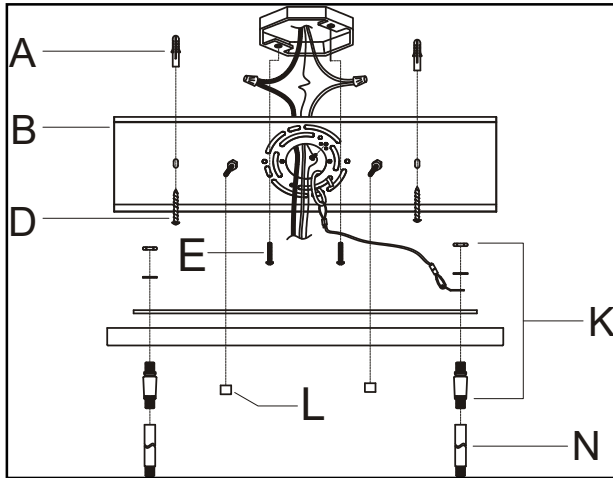


Fig.2



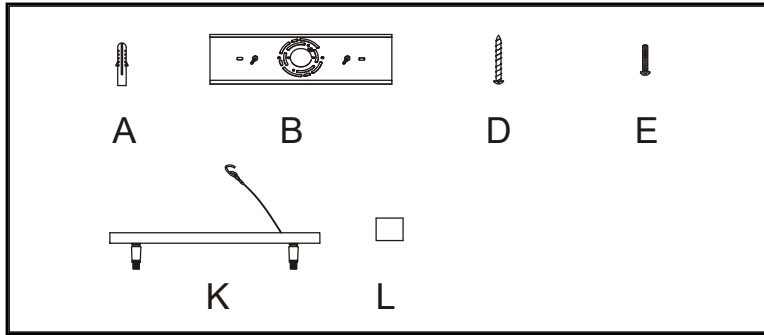
Your installation is now complete. Return power to the junction box and test the fixture.





**a. Hardware Bag:**

- A. Plastic Anchors \*2
- B. Mounting Plate \*1
- D. Wood Screws \*2
- E. Junction Box Screws \*2
- K. Canopy \*1
- L. Cap Nuts \*2



**b. Hardware Bag:**

- O, P, Q. Rod 12" \*6
- N Rod 6" \*2

