

INSTALLATION INSTRUCTIONS

Item#3205-781 (New.05/08/2023)

READ AND SAVE THESE INSTRUCTIONS

WARNING! SHUT POWER OFF AT FUSE OR CIRCUIT BREAKER.

AVERTISSEMENT! COUPER LE COURANT AU NIVEAU DES FUSIBLES OU DU DISJONCTEUR.

PREPARATION (Fig. 1)

1. Shut off power at the fuse box or circuit breaker box and remove the old fixture including the mounting hardware.
2. Carefully unpack your new fixture and lay out all the parts in a clean area. Take care not to misplace any small parts necessary for installation.

ASSEMBLING THE FIXTURE (Fig.1&Fig.3)

3. Secure metal frames (R & S) with screws (F) (Size: 8#-32*0.3"), then secure bar (G) to metal frames (R & S) with screws (F) (Size: 8#-32*0.3").
4. Thread center rod (H), without swivel end, to coupling (I), slide the another end of the rod through the hole in bar (G).
5. Determine the desired hanging height, carefully feed wires through each rod (E1,E2) and assemble rods (E1,E2), thread one end of assembled rod (E1,E2) on the center rod (H), with the swivel end, thread another end of assembled rod (E1,E2) to swivel (D).
6. Attach mounting plate (A) to the junction box (not included) with junction box screws (B) (Size: #8-32N*L1"). The side of the mounting plate (A) with "GND" marked on it and two convex points must face out.
7. Support cable is provided to support weight of fixture while wiring. Align fixture to mounting plate (A) and attach hook (P) on the end of support cable into a slot located on mounting plate (A). Carefully allow support cable to support weight of fixture while wiring (Fig1, Fig3).

CONNECTING THE WIRES (Fig. 2)

8. Connect the electrical wires as shown in fig.2, making sure that all wire connectors are secured. If junction box has a ground wire (green or bare copper), connect the fixture's ground wire to it. Otherwise, connect the fixture's ground wire directly to mounting plate (A) using the green screw provided.
9. Tuck the wire connectors neatly into the junction box.

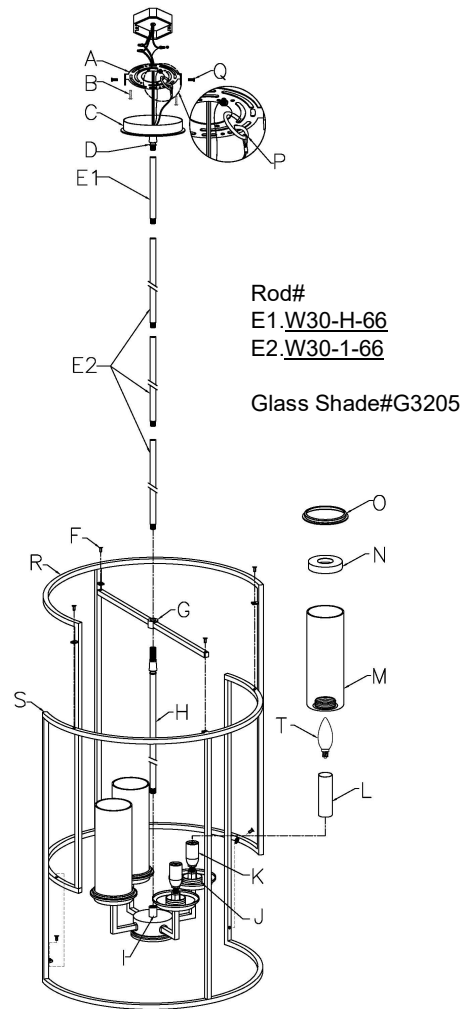
COMPLETING THE INSTALLATION (Fig. 1)

10. Raise canopy (C) and align the holes with mounting plate (A) and secure with mounting screws (Q) (Size: #8-32N*L0.5").
11. Place candle covers (L) over sockets (K).
12. Install (4) four candelabra base bulbs (T) up to 60 watts each or CFL or LED equivalent (not included) in accordance with the fixture specification—**DO NOT EXCEED THE MAXIMUM WATTAGE RATING! (NE PAS DEPASSER LA PUISSANCE NOMINALE MAXIMALE!)**
13. Place glass shades (M) and caps (N) over bulb and candle covers (L). Secure to bobeches (J) with metal rings (O).

Your installation is now complete. Return power to the junction box and test the fixture.

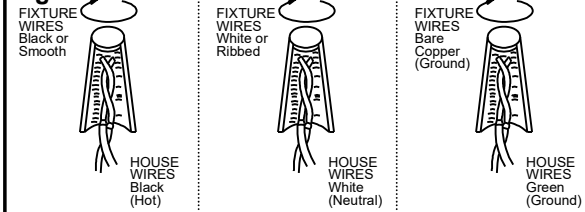
Fig. 1

Set#A-022-115A
Mounting Plate x1pc
Ground Screw x1pc
Junction Box Screw x2pcs



Candle Cover#CCV27099P-695

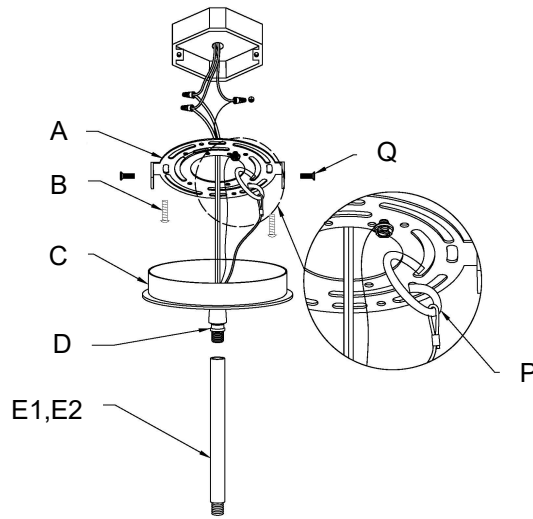
Fig. 2



Note:

Illustration (Fig. 1) on this manual is for installation purposes only. It may or may not be identical to the fixture purchased.

Fig.3



a. Hardware Bag

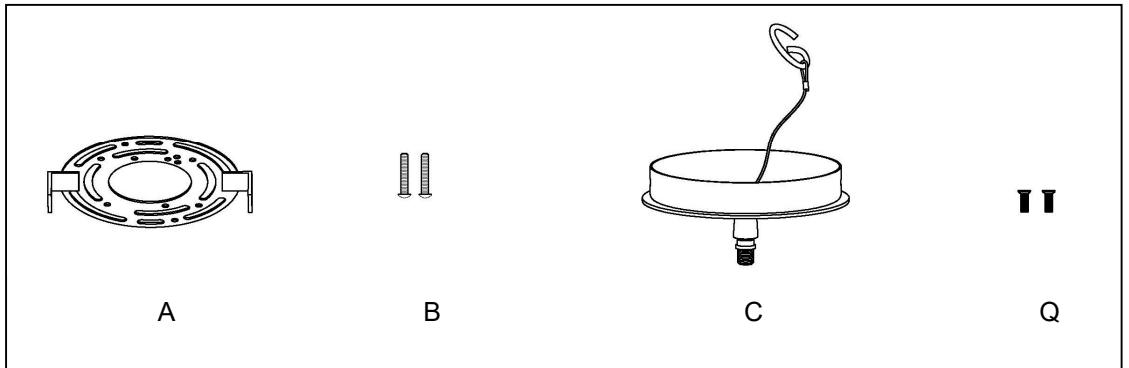
A. Mounting Plate x 1pc

B. Junction Box

Screw x 2pcs

C. Canopy x 1pc

Q. Mounting Screw x 2pcs



b. Hardware Bag

E1. Rod 6" x1pc

E2. Rod 12" x3pcs

