

INSTALLATION INSTRUCTIONS

Item# 6411/6412/6413-84/66A-L

READ AND SAVE THESE INSTRUCTIONS

WARNING! SHUT POWER OFF AT FUSE OR CIRCUIT BREAKER.

AVERTISSEMENT! COUPER LE COURANT AU NIVEAU DES FUSIBLES OU DU

MOUNTING THE FIXTURE (Fig. 1)

1. Shut off power at the fuse box or circuit breaker box and remove the old fixture including the mounting hardware.
2. Carefully remove the new fixture from the carton and check that all parts are included as shown in the illustration.
3. Loosen mounting screws (B). Remove mounting plate (A) from fixture. Note: Do not remove any other parts.
4. Attach mounting plate (A) to junction box (Not included) using junction box screws (C) (Size: 8-32*1"L).

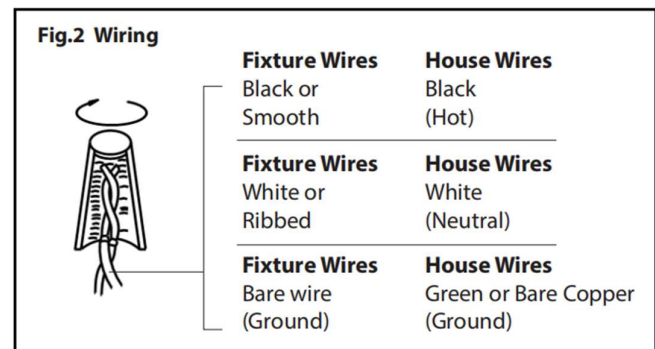
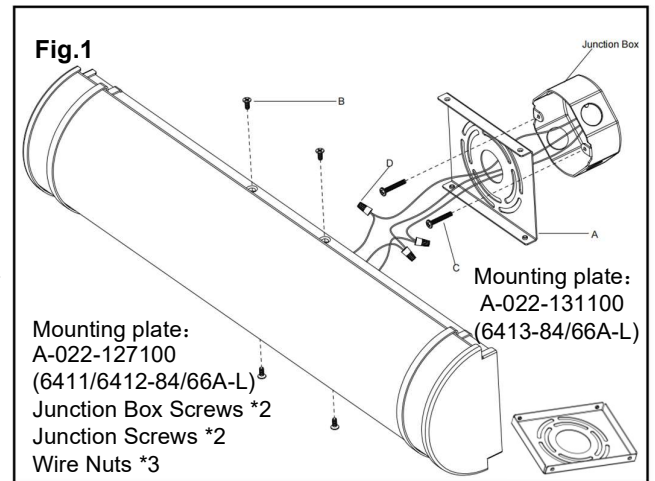
CONNECTION THE WIRES (Fig. 2)

5. Connect electrical wires as shown in Fig. 2 making sure that all wire connectors (D) are secured. If your junction box has a ground wire (green or bare copper), connect the fixture's ground wire to it. Otherwise, connect fixture's ground wire directly to mounting plate (A) using green screw provided.
6. Tuck wire connectors neatly into the junction box.

FINISHING THE INSTALLATION (Fig. 1)

7. There are five CCTs (2700K / 3000K / 3500K / 4000K / 5000K) with this fixture. Select the desired CCT by using switch inside canopy of fixture.
8. Align the back plate of fixture onto mounting plate (A) and secure with mounting screws (B).

Your installation is now complete. Return power and test the fixture.



IMPORTANT: THE FIXTURE SHOULD BE INSTALLED BY A QUALIFIED ELECTRICIAN TO ENSURE PROPER WIRING AND INSTALLATION.

Dimming: Dimmable with ELV and/or LED compatible wall dimmer switches.

