

# INSTALLATION INSTRUCTIONS

Item#5907-655 (New.12/28/2022)

## READ AND SAVE THESE INSTRUCTIONS

**WARNING! SHUT POWER OFF AT FUSE OR CIRCUIT BREAKER.**

**AVERTISSEMENT! COUPER LE COURANT AU NIVEAU DES FUSIBLES OU DU DISJONCTEUR.**

### PREPARATION (Fig. 1)

1. Shut off power at the fuse box or circuit breaker box and remove the old fixture including the mounting hardware.
2. Carefully unpack your new fixture and lay out all the parts in a clean area. Take care not to misplace any small parts necessary for installation.

### ASSEMBLING THE FIXTURE (Fig.1&Fig.3)

3. Adjust the arms to proper position. Refer to illustration (J).
4. Determine the desired hanging height and thread rods (G2, G1) to fixture body (K). Then screw loop (F1) to rod (G1). Pass the wires carefully through each rod as you assembled.
5. Attach quick link (E) to loop (F1) and loop (F2) on canopy (C). Carefully feed the wire through loop (F1), quick link (E) and loop (F2).
6. Attach mounting plate (A) to the junction box (not included) with junction box screws (B) (Size: #8-32N\*L1"). The side of the mounting plate (A) with "GND" marked on it and two convex points must face out.

### CONNECTING THE WIRES (Fig. 2)

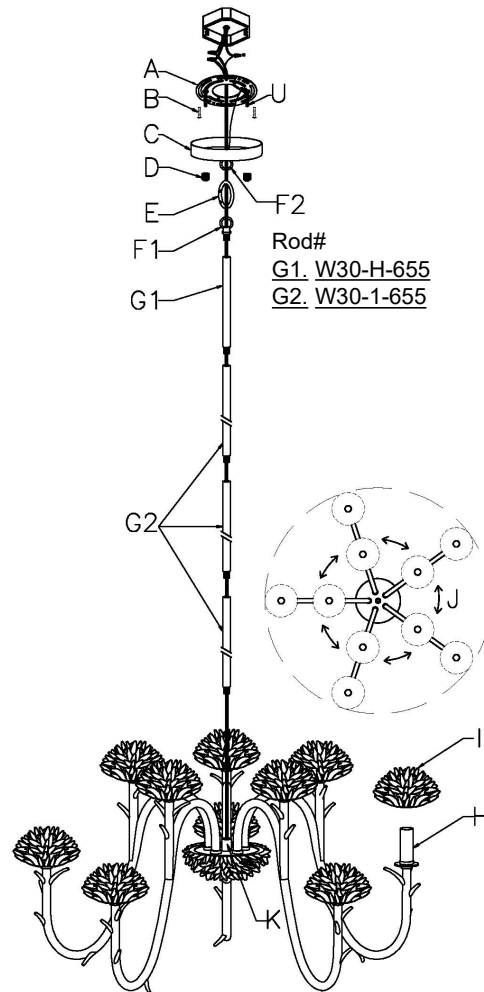
7. Connect the electrical wires as shown in fig.2, making sure that all wire connectors are secured. If junction box has a ground wire (green or bare copper), connect the fixture's ground wire to it. Otherwise, connect the fixture's ground wire directly to the mounting plate (A) using the green screw provided.
8. Tuck the wire connectors neatly into the junction box.

### COMPLETING THE INSTALLATION (Fig. 1)

9. Slide canopy (C) over mounting screws (U) attached to mounting plate (A) and secure with knobs (D).
10. Place "flower" (I) over candle covers (H).
11. Install (10) ten candelabra base bulbs up to 60 watts each or CFL or LED equivalent (not included) in accordance with the fixture specification—**DO NOT EXCEED THE MAXIMUM WATTAGE RATING! (NE PAS DEPASSER LA PUISSANCE NOMINALE MAXIMALE!)**

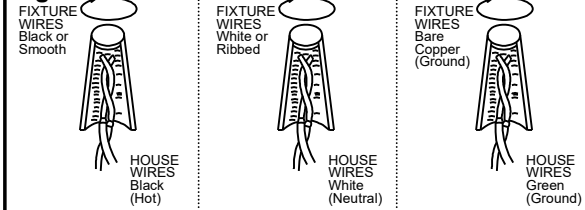
Fig. 1

Set#A-020-A  
Mounting Plate x1pc  
Ground Screw x1pc  
Junction Box Screw x2pcs



Candle Cover# CCV20060P-655

Fig. 2



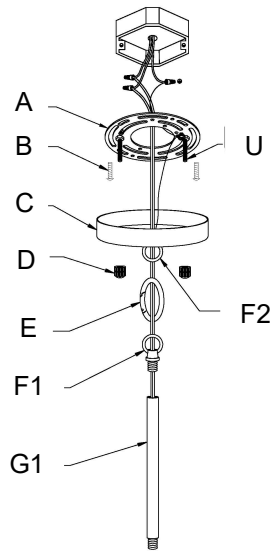
Your installation is now complete. Return power to the junction box and test the fixture.

**Note:**

1. Illustration (Fig. 1) on this manual is for installation purposes only. It may or may not be identical to the fixture purchased.

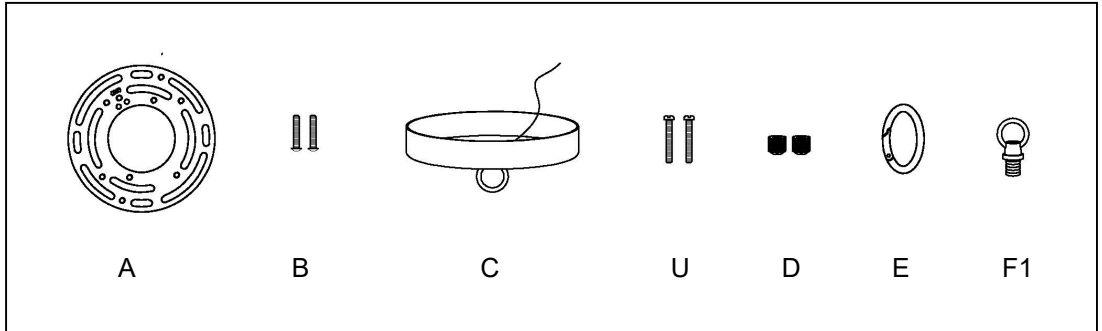
2. The fixture is over 10 lbs. Please remove all flowers before removing canopy from mounting plate to inspect wire connections in the future. This will allow you to hold the fixture body during wire connection inspection or fixture removal.

**Fig.3**



**a. Hardware Bag**

- A. Mounting Plate x 1pc
- B. Junction Box  
Screw x 2pcs
- C. Canopy x 1pc
- U. Mounting Screw x 2pcs
- D. Knob x 2pcs
- E. Quick Link x 1pcs
- F1. Loop x 1pc



**b. Hardware Bag**

- G1. Rod 6" x1pc
- G2. Rod 12" x3pcs

