

INSTALLATION INSTRUCTIONS

Item#2003/2004-77-L (New. 2023/02/09)

READ AND SAVE THESE INSTRUCTIONS

WARNING! SHUT POWER OFF AT FUSE OR CIRCUIT BREAKER.

AVERTISSEMENT! COUPER LE COURANT AU NIVEAU DES FUSIBLES OU DU DISJONCTEUR.

MOUNTING THE FIXTURE (Fig.1)

1. Shut off power at the fuse box or circuit breaker box and remove the old fixture including the mounting hardware.
2. Carefully unpack your new fixture and lay out all the parts in a clear area. Take care not to misplace any small parts necessary for installation.
3. Loosen screws (D) to remove mounting plate (A) from fixture body (C).
4. Position mounting plate (A) on the wall and mark the location of two drywall anchors (I). Pre-drill the holes for drywall anchors (I). Insert drywall anchors (I) into the wall.
5. Attach mounting plate (A) to the junction box (not included) by using the mounting screws (B) (Size: #8-32N*L0.5"). The side of the mounting plate marked "GND" must face out.
6. Place woodscrews (J) through holes into drywall anchors (I) to secure mounting plate (A) as shown in Fig.1.

CONNECTING THE WIRES (Fig. 2)

7. Connect the electrical wires as shown in Fig. 2, making sure that all wire connectors are secured. If your junction box has a ground wire (green or bare copper), connect the fixture's ground wire to it. Otherwise, connect the fixture's ground wire directly to mounting plate (A) using the green screw provided. After the wires are connected, tuck them carefully inside the junction box.

FINISHING THE INSTALLATION (Fig.1)

8. Place fixture body (C) over mounting plate (A) and secure with screws (D).
9. Slide screws (E) through plastic gaskets (F) and glass shade (G) and secure on heat sink (H).

Note: The LED module should be provided by a specified supplier.

Your installation is now complete. Return power and test the fixture.

Dimmable with ELV and/or LED compatible wall dimmer switches.

Note: Illustration (Fig.1) on this manual is for installation purposes only. It may or may not be identical to the fixture purchased.

Fig. 1

Set# A-021-135106A
-Mounting Plate
-Ground Screw
-Mounting Screw*2

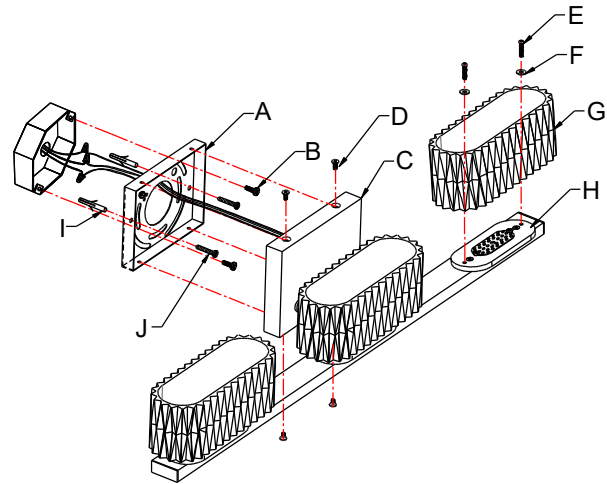


Fig. 2

